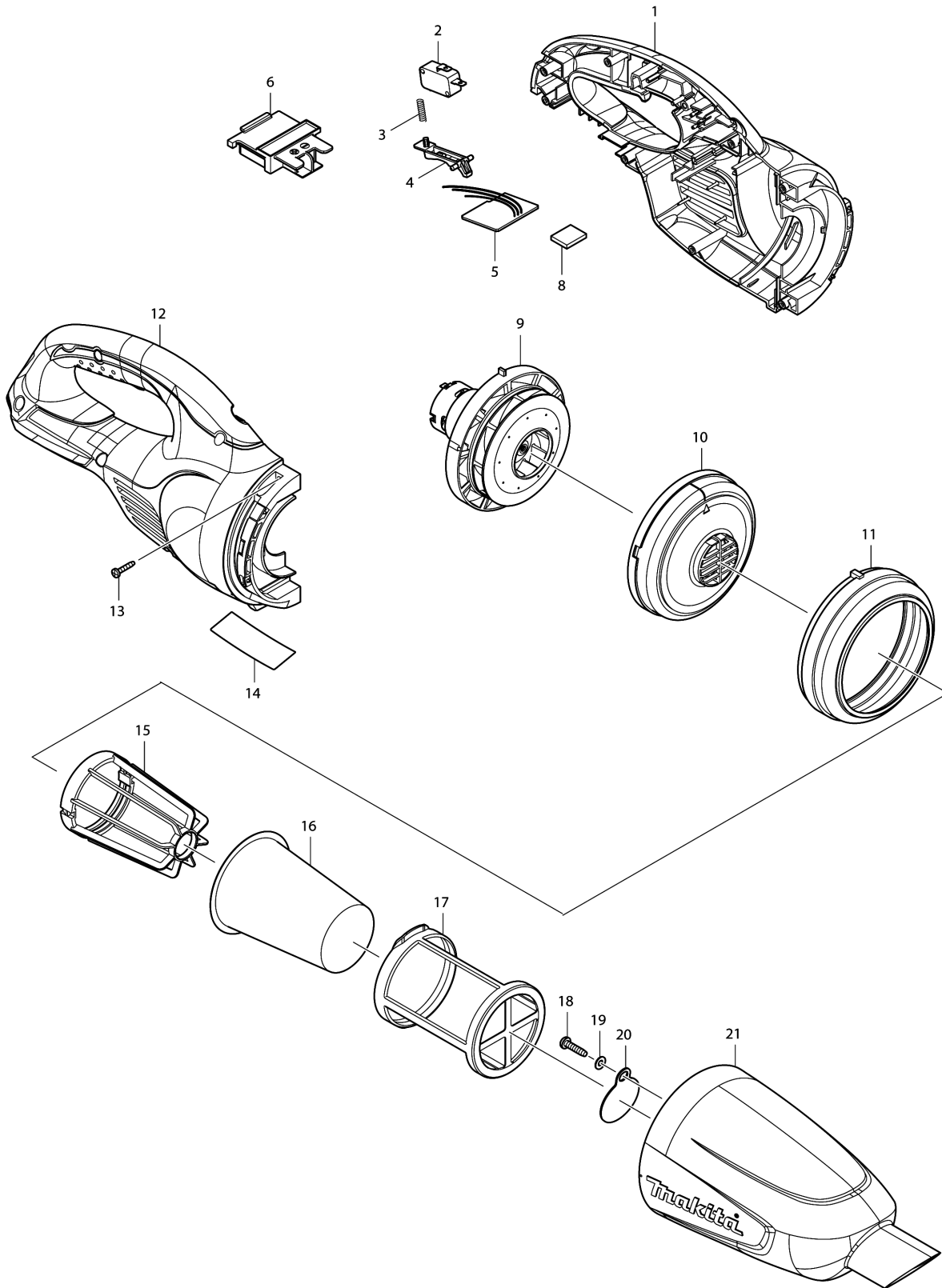


Model No.DCL180 CORDLESS CLEANER



Model No.DCL180 CORDLESS CLEANER

Position	Artikel-Nr.	Beschreibung	I/C	Stk.	New/Old	Opt. 1	Opt. 2	Hinweis
001B	187458-1	HOUSING SET		1				
001C	187460-4	HOUSING SET		1				
001D	183E54-3	HOUSING SET		1				
001E	187460-4	HOUSING SET		1				
001F	183E54-3	HOUSING SET		1				
C10	424209-4	SPONGE SHEET 50-50		2				
D10		INC. 12						
002	651891-8	SWITCH V-15-3A6		1				
003	231473-8	COMPRESSION SPRING 4		1				
004	451227-9	SWITCH LEVER		1				
005B	638935-1	CONTROLLER UNIT		1	*			
005C	638935-1	CONTROLLER UNIT		1	*			
005-1B	632F98-1	CONTROLLER UNIT	<	1				
005-1C	632F98-1	CONTROLLER UNIT	<	1				
005-1D	632F98-1	CONTROLLER UNIT		1				
005-1E	632F98-1	CONTROLLER UNIT		1				
005-1F	632F98-1	CONTROLLER UNIT		1				
006	643860-3	TERMINAL		1				
008	424248-4	SPONGE SHEET 15-25		1				
009	125867-6	MOTOR ASS'Y		1				
C10	452455-9	BASE		1				
C20	265199-0	+ PAN HEAD SCREW M3X8		2				
C30	240102-2	FAN 82		1				
010	416030-5	FAN COVER		1				
011	424320-2	RUBBER RING		1				
012B	187458-1	HOUSING SET		1				
012C	187460-4	HOUSING SET		1				
012D	183E54-3	HOUSING SET		1				
012E	187460-4	HOUSING SET		1				
012F	183E54-3	HOUSING SET		1				
C10	424209-4	SPONGE SHEET 50-50		2				
D10		INC. 1						
013B	266429-2	TAPPING SCREW 3X16		7	*			
013C	266429-2	TAPPING SCREW 3X16		7	*			
013D	266429-2	TAPPING SCREW 3X16		7	*			
013E	266429-2	TAPPING SCREW 3X16		7	*			
013-1B	266130-9	TAPPING SCREW BIND PT 3X16	O	7				
013-1C	266130-9	TAPPING SCREW BIND PT 3X16	O	7				
013-1D	266130-9	TAPPING SCREW BIND PT 3X16	O	7				
013-1E	266130-9	TAPPING SCREW BIND PT 3X16	O	7				

Model No.DCL180 CORDLESS CLEANER

Position	Artikel-Nr.	Beschreibung	I/C	Stk.	New/Old	Opt. 1	Opt. 2	Hinweis
013-1F	266130-9	TAPPING SCREW BIND PT 3X16		7				
014	815F73-4	DCL180 NAME PLATE		1				
015B	410237-5	STAY		1	*			
015C	410237-5	STAY		1	*			
015D	410237-5	STAY		1	*			
015E	410237-5	STAY		1	*			
015-1B	458467-0	STAY	<	1				
015-1C	458467-0	STAY	<	1				
015-1D	458467-0	STAY	<	1				
015-1E	458467-0	STAY	<	1				
015-1F	458467-0	STAY		1				
016	443060-3	FILTER		1				
017	451208-3	PRE-FILTER		1				
018	265995-6	TAPPING SCREW 4X18		1				
019	941051-3	FLAT WASHER 4		1				
020	424208-6	VALVE		1				
021B	451235-0	CAPSULE		1				
021C	451226-1	CAPSULE		1				
021D	456196-9	CAPSULE		1				
021E	451226-1	CAPSULE		1				
021F	456196-9	CAPSULE		1				
022	424308-2	SPONGE SHEET 50-36		1				
023B	632H18-7	FUSE UNIT		1				
023C	632H18-7	FUSE UNIT		1				
023D	632H18-7	FUSE UNIT		1				
023E	632H18-7	FUSE UNIT		1				
023F	632H18-7	FUSE UNIT		1				
024B	422268-2	SPONGE SHEET 57		1				
024C	422268-2	SPONGE SHEET 57		1				
024D	422268-2	SPONGE SHEET 57		1				
024E	422268-2	SPONGE SHEET 57		1				
024F	422268-2	SPONGE SHEET 57		1				
A01B	122859-6	NOZZLE ASS'Y		1	*			
C10	451410-8	ROLLER		4	*			
C20	268208-4	PIN 3		4	*			
C30	424096-1	WIPER		1	*			
A01C	122858-8	NOZZLE ASS'Y		1	*			
C10	451410-8	ROLLER		4	*			
C20	268208-4	PIN 3		4	*			
C30	424096-1	WIPER		1	*			
A01-1B	123488-8	FLOOR T-NOZZLE 28 BLU	<	1				
C10	451410-8	ROLLER		4				

Please order the parts with part number.

Print Date 8/9/2020

Model No.DCL180 CORDLESS CLEANER

Position	Artikel-Nr.	Beschreibung	I/C	Stk.	New/Old	Opt. 1	Opt. 2	Hinweis
C20	268208-4	PIN 3		4				
C30	424096-1	WIPER		1				
A01-1C	123486-2	FLOOR T-NOZZLE 28 WHI	<	1				
C10	451410-8	ROLLER		4				
C20	268208-4	PIN 3		4				
C30	424096-1	WIPER		1				
A01-1D	123539-7	FLOOR T-NOZZLE 28 BLA		1				
C10	451410-8	ROLLER		4				
C20	268208-4	PIN 3		4				
C30	424096-1	WIPER		1				
A01-1E	123486-2	FLOOR T-NOZZLE 28 WHI		1				
C10	451410-8	ROLLER		4				
C20	268208-4	PIN 3		4				
C30	424096-1	WIPER		1				
A01-1F	123539-7	FLOOR T-NOZZLE 28 BLA		1				
C10	451410-8	ROLLER		4				
C20	268208-4	PIN 3		4				
C30	424096-1	WIPER		1				
A02B	451243-1	SASH NOZZLE 28 BLU		1				
A02C	451240-7	SASH NOZZLE 28 WHI		1				
A02D	456586-6	SASH NOZZLE 28 BLK		1				
A02E	451240-7	SASH NOZZLE 28 WHI		1				
A02F	456586-6	SASH NOZZLE 28 BLK		1				
A03B	451244-9	PIPE		1				
A03C	451241-5	PIPE		1				
A03D	456587-4	PIPE		1				
A03E	451241-5	PIPE		1				
A03F	191D80-2	STRAIGHT PIPE SET 320		1				
A04B	451245-7	SASH NOZZLE HOLDER		1				
A04C	451242-3	SASH NOZZLE HOLDER		1				
A04D	456585-8	SASH NOZZLE HOLDER		1				
A04E	451242-3	SASH NOZZLE HOLDER		1				
A04F	456585-8	SASH NOZZLE HOLDER		1				
A05E	***DC18SD	DC18SD BATTERY CHARGER		1				
A05F	***DC18SD	DC18SD BATTERY CHARGER		1				
D10		COMPO-PARTS						
A06E	197600-6	BATTERY BL1830B SET		1	*			
A06F	197600-6	BATTERY BL1830B SET		1				
A06-1E	197600-6	BATTERY BL1830B SET	O	1				
A08F	191D75-5	CYCLONE ATTACHMENT SET		1				
D10		COMPO-PARTS						
A09F	450128-8	BATTERY COVER		1				

Please order the parts with part number.

Print Date 8/9/2020