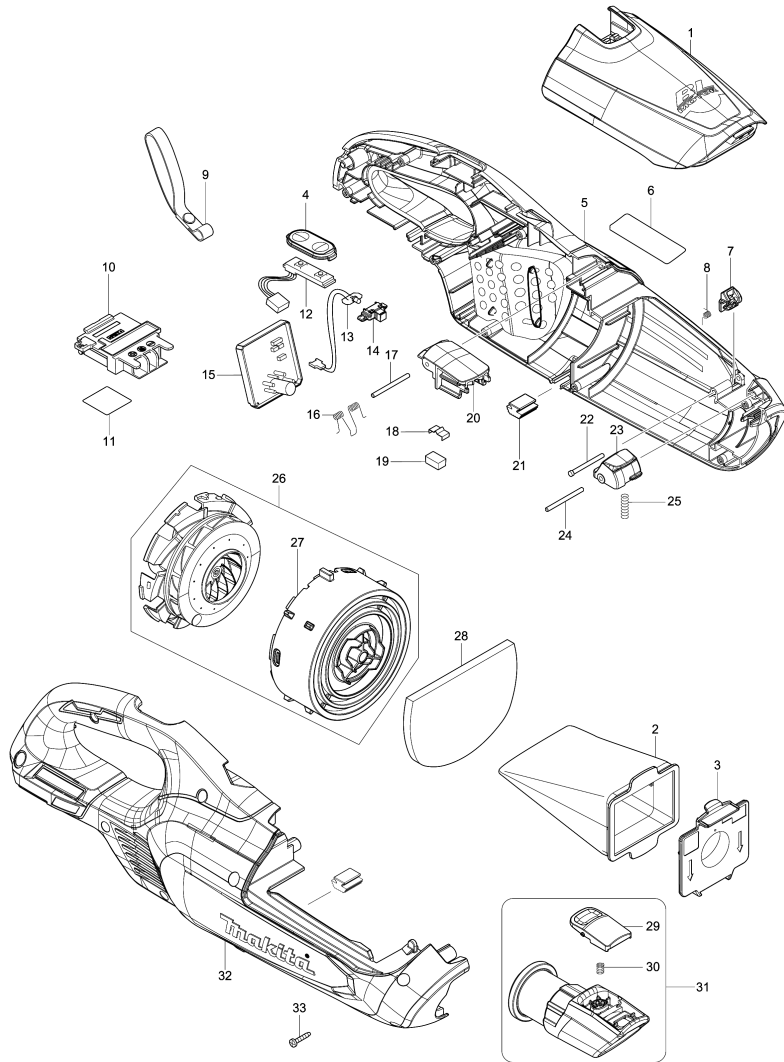


Model No.DCL282F CORDLESS CLEANER



Model No.DCL282F CORDLESS CLEANER

Position	Artikel-Nr.	Beschreibung	L/C	Stk.	New/Old	Opt. 1	Opt. 2	Hinweis
001	140L57-2	FRONT COVER COMPLETE		1				
C10	424093-7	Dichtung		1				
002	166119-6	EASY SHAKE OFF DUST BAG		1				
003	140K23-3	VALVE STAY COMPLETE		1				
004	144096-2	SWITCH PLATE COMPLETE		1				
005	183M11-9	HOUSING SET		1				
C10	263005-3	Gummistift 6		2				
C20	422458-7	SPONGE SHEET 55-80		2				
C30	213008-7	O-Ring 22,4		2				
D10		INC. 21,32						
006	855T39-6	DCL282F NAME PLATE		1				
007	459352-0	STOPPER PLATE		1				
008	232484-6	TORSION SPRING 4		1				
010	643874-2	TERMINAL		1				
011	855T46-9	DCL282F SERIAL NO. LABEL		1				
012	620A77-1	SWITCH UNIT		1				
013	620A76-3	LED CIRCUIT		1	*			
013-1	620E82-2	LED CIRCUIT	<	1				
014	459478-8	LENS CASE		1				
015	620A75-5	CONTROLLER		1				
016	233580-3	Spiralfeder 4		1				
017	268271-7	Stift 3		1				
018	232264-0	Blattfeder		1				
019	424367-6	Gummi		1				
020	459350-4	FRONT COVER JOINT		1				
021	422460-0	RUBBER PLATE		2				
022	256590-3	FLAT FILLISTER HD. PIN 3		1				
023	459348-1	BUTTON B		1				
024	268271-7	Stift 3		1				
025	233344-5	Druckfeder 4		1				
026	136092-4	MOTOR ASS'Y		1				
D10		INC. 27						
027	459322-9	FAN COVER		1				
028	424804-0	SUPONGE SHEET 76-110		1				
029	458939-5	BUTTON A		1				
030	232485-4	COMPRESSION SPRING 5		1				
031	136107-7	INLET ASS'Y		1				
C10	424094-5	Dichtung		1				
D10		INC. 29,30						
032	183M11-9	HOUSING SET		1				
C10	263005-3	Gummistift 6		2				
C20	422458-7	SPONGE SHEET 55-80		2				

Please order the parts with part number.

Print Date 9/9/2020