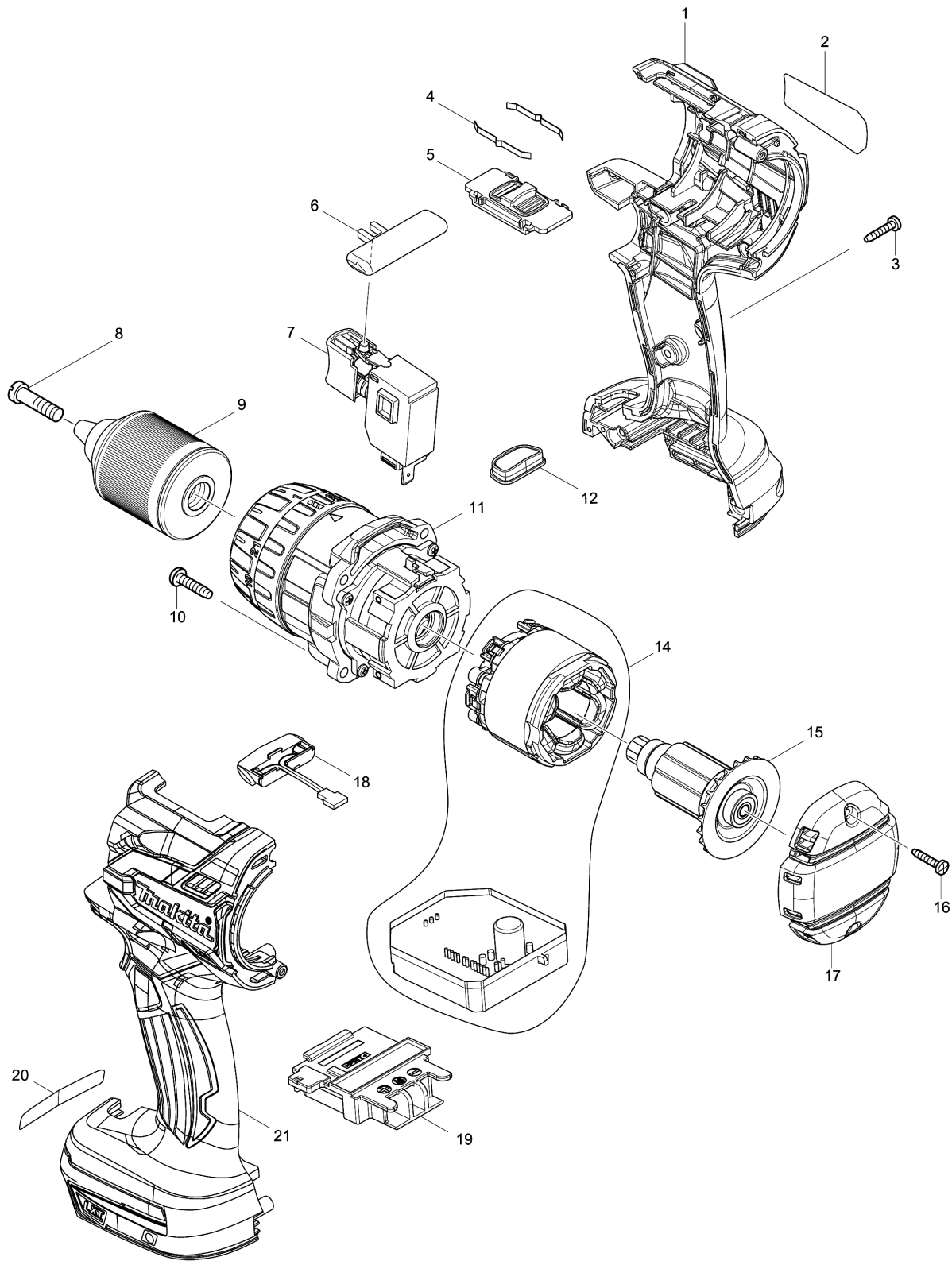


Model No.DDF481 CORDLESS DRIVER DRILL



Model No.DDF481 CORDLESS DRIVER DRILL

Position	Artikel-Nr.	Beschreibung	I/C	Stk.	New/Old	Opt. 1	Opt. 2	Hinweis
001	187921-4	HOUSING SET		1				
C10	263005-3	Gummistift 6		2				
D10		INC. 21						
002	815S56-2	DDF481 NAME PLATE		1				
003	266130-9	Blechschrabe PT 3x16		7				
004	232220-0	Blattfeder		2				
005	126411-2	SPEED CHANGE LEVER ASSEMBLY		1				
C10	233438-6	Druckfeder 4		2				
006	419250-0	Schalterschieber		1				
007	650710-5	SCHALTER C3JW-4B DDF480		1				
008	251468-5	Schraube M6x22		1				
009A	766015-4	Schnellspannbohrfutter 13mm		1	*			
009B	766015-4	Schnellspannbohrfutter 13mm		1	*			
009C	766015-4	Schnellspannbohrfutter 13mm		1	*			
009D	766015-4	Schnellspannbohrfutter 13mm		1	*			
009-1A	763248-2	KEYLESS DRILL CHUCK 13	<	1				
009-1B	763248-2	KEYLESS DRILL CHUCK 13	<	1				
009-1C	763248-2	KEYLESS DRILL CHUCK 13	<	1				
009-1D	763248-2	KEYLESS DRILL CHUCK 13	<	1				
009-1E	763248-2	KEYLESS DRILL CHUCK 13		1				
010	265995-6	Schraube 4x18		4				
011	126409-9	GEAR ASSEMBLY		1				
012	142263-3	ANZEIGEPLATTE DDF480/DHP480		1				
014	629116-8	STATOR COMPLETE		1				
015A	619336-2	ROTOR		1	*			
015B	619336-2	ROTOR		1	*			
015C	619336-2	ROTOR		1	*			
015D	619336-2	ROTOR		1	*			
015-1A	619397-2	ROTOR	O	1				
015-1B	619397-2	ROTOR	O	1				
015-1C	619397-2	ROTOR	O	1				
015-1D	619397-2	ROTOR	O	1				
015-1E	619397-2	ROTOR		1				
016	266130-9	Blechschrabe PT 3x16		2				
017	455011-4	REAR COVER		1				
018	620283-2	LED CIRCUIT		1				
019	643899-6	KONTAKTEINHEIT BCV02		1				
021	187921-4	HOUSING SET		1				
C10	263005-3	Gummistift 6		2				
D10		INC. 1						
A01	126412-0	GRIP ASSEMBLY		1				

Please order the parts with part number.

Print Date 16/9/2020

Model No.DDF481 CORDLESS DRIVER DRILL

Position	Artikel-Nr.	Beschreibung	I/C	Stk.	New/Old	Opt. 1	Opt. 2	Hinweis
C10	142652-2	POLE COMPLETE		1	*			
C11	140R59-4	POLE COMPLETE	<	1				
C20	142653-0	ARM R COMPLETE		1				
C30	266886-4	HEX. BOLT M8X65		1				
C40	319129-4	ARM L		1				
C50	962055-2	RETAINING RING (INT) R-15		1				
A02	251314-2	Schraube M4x12		2				
A03A	346317-0	Einhaengebuegel		1				
A03B	346317-0	Einhaengebuegel		1				
A03C	346317-0	Einhaengebuegel		1				
A03D	346449-3	Einhaengebuegel		1				
A03E	346317-0	Einhaengebuegel		1				
A04	452947-8	Bit-Halter		1				
A05	784637-8	PH/LS Doppelbit 10Stk		2				
A06A	821550-0	MAKPAC Gr.2		1				
C10	453974-8	Kofferverschluss MAKPAC		4				
A06B	821550-0	MAKPAC Gr.2		1				
C10	453974-8	Kofferverschluss MAKPAC		4				
A06C	821550-0	MAKPAC Gr.2		1				
C10	453974-8	Kofferverschluss MAKPAC		4				
A06D	821550-0	MAKPAC Gr.2		1				
C10	453974-8	Kofferverschluss MAKPAC		4				
A07A	837916-4	KOFFEREINSATZ BDF446RFJ-BDF459		1				
A07B	837916-4	KOFFEREINSATZ BDF446RFJ-BDF459		1				
A07C	837916-4	KOFFEREINSATZ BDF446RFJ-BDF459		1				
A07D	837916-4	KOFFEREINSATZ BDF446RFJ-BDF459		1				
A08A	804D62-2	DDF481 ZJ INDICATION LABEL		1	*			
A08B	804D70-3	DDF481 RTJ INDICATION LABEL		1	*			
A08C	804D68-0	DDF481 RMJ INDICATION LABEL		1	*			
A08D	805W09-3	DDF481 Y1J INDICATION LABEL		1	*			
A08-1A	812W75-3	DDF481 ZJ INDICATION LABEL	O	1	*			
A08-1B	812W84-2	DDF481 RTJ INDICATION LABEL	O	1	*			
A08-1C	812W82-6	DDF481 RMJ INDICATION LABEL	O	1	*			
A08-1D	812W89-2	DDF481 Y1J INDICATION LABEL	O	1	*			
A08-2A	804D62-2	DDF481 ZJ INDICATION LABEL	O	1				
A08-2B	804D70-3	DDF481 RTJ INDICATION LABEL	O	1				
A08-2C	804D68-0	DDF481 RMJ INDICATION LABEL	O	1				

Please order the parts with part number.

Print Date 16/9/2020

Model No.DDF481 CORDLESS DRIVER DRILL

Position	Artikel-Nr.	Beschreibung	I/C	Stk.	New/Old	Opt. 1	Opt. 2	Hinweis
A08-2D	805W09-3	DDF481Y1J INDICATION LABEL	O	1				
A09A	804D63-0	DDF481ZJ PLASTIC CASE LABEL		2	*			
A09B	804D71-1	DDF481RTJ PLASTIC CASE LABEL		2	*			
A09C	804D69-8	DDF481RMJ PLASTIC CASE LABEL		2	*			
A09D	805W10-8	DDF481Y1J PLASTIC CASE LABEL		2	*			
A09-1A	812W76-1	DDF481ZJ PLASTIC CASE LABEL	X	2				
A09-1B	812W85-0	DDF481RTJ PLASTIC CASE LABEL	X	2				
A09-1C	812W83-4	DDF481RMJ PLASTIC CASE LABEL	X	2				
A09-1D	812W90-7	DDF481Y1J PLASTIC CASE LABEL	X	2				
A10B	450128-8	Kontaktschutzkappe		1				
A10C	450128-8	Kontaktschutzkappe		1				
A11B	196671-0	BATTERY BL1850 SET		2	*			
A11C	196399-0	Akku BL1840 Li 18,0V 4.0Ah		2	*			
A11D	196235-0	Akku BL1815N Li 18,0V 1,5Ah		1	*			
A11-1B	196671-0	BATTERY BL1850 SET	O	2	*			
A11-1C	196399-0	Akku BL1840 Li 18,0V 4.0Ah	O	2	*			
A11-1D	196235-0	Akku BL1815N Li 18,0V 1,5Ah	O	1				
A11-2B	197280-8	BATTERY BL1850B SET	<	2	*			
A11-2C	197265-4	BATTERY BL1840B SET	<	2	*			
A11-3B	197280-8	BATTERY BL1850B SET	O	2				
A11-3C	197265-4	BATTERY BL1840B SET	O	2				
A12B	***DC18RC	DC18RC FAST CHARGER		1				
A12C	***DC18RC	DC18RC FAST CHARGER		1				

Please order the parts with part number.

Print Date 16/9/2020