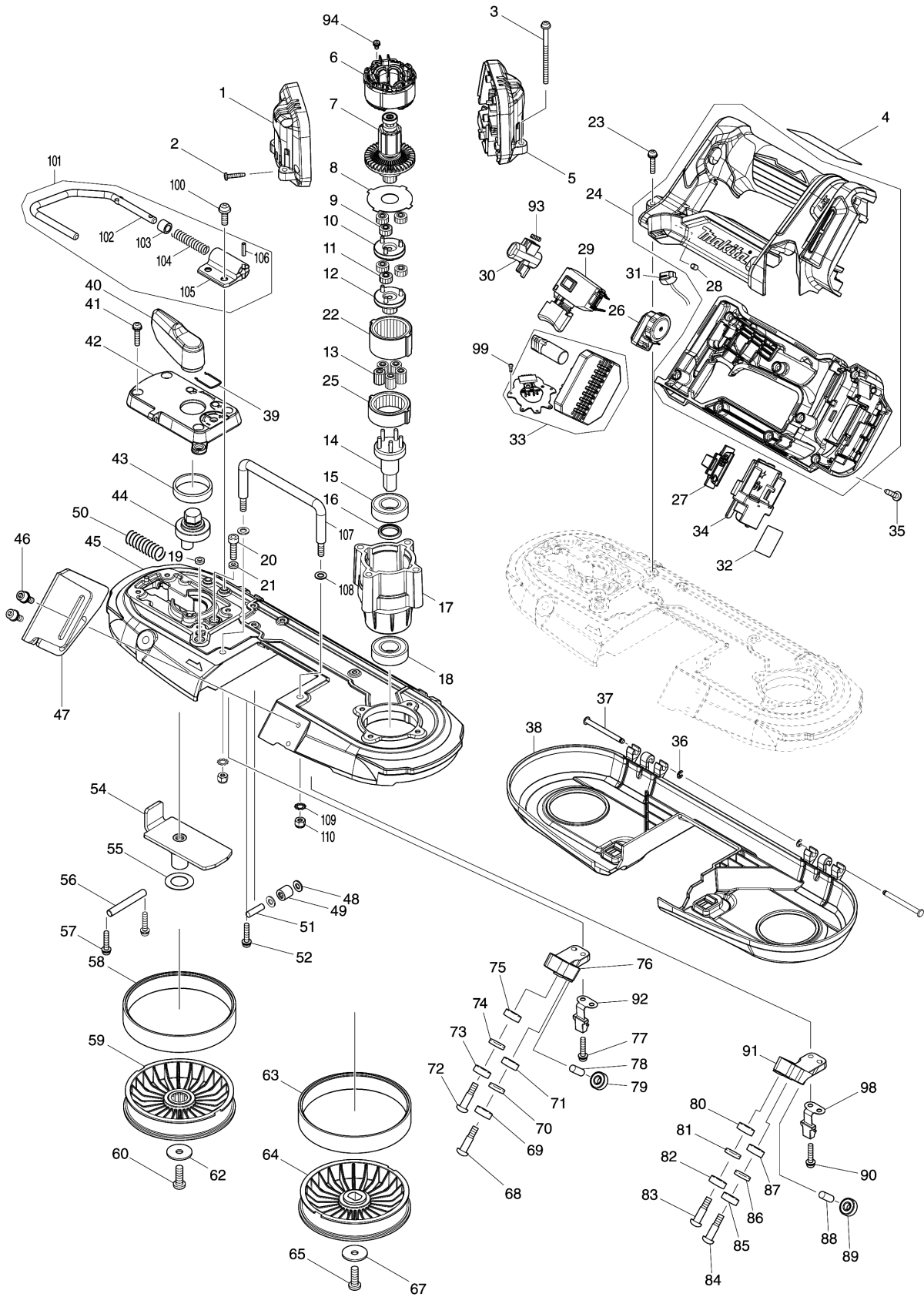


Model No.DPB183 CORDLESS PORTABLE BAND SAW



Model No.DPB183 CORDLESS PORTABLE BAND SAW

Position	Artikel-Nr.	Beschreibung	I/C	Stk.	New/Old	Opt. 1	Opt. 2	Hinweis
001	183P49-2	MOTOR HOUSING SET		1				
D10		INC. 5						
002	266130-9	TAPPING SCREW BIND PT 3X16		5				
003	911188-0	PAN HEAD SCREW M4X60		4				
004	857C69-1	DPB183 NAME PLATE		1				
005	183P49-2	MOTOR HOUSING SET		1				
D10		INC. 1						
006	629482-3	STATOR		1				
007	619628-9	ROTOR		1				
008	253474-6	LOCK WASHER		1				
009	226923-6	SPUR GEAR 13		3				
010	140M80-3	SPUR GEAR 14B COMPLETE		1				
011	226923-6	SPUR GEAR 13		3				
012	140M81-1	SPUR GEAR 16 COMPLETE		1				
013	226924-4	SPUR GEAR 11		5				
014	140T74-0	SPINDLE COMPLETE		1				
015	211247-3	BALL BEARING 6002DDW		1				
016	257348-3	RING 15		1				
017	319980-2	GEAR HOUSING		1				
018	211247-3	BALL BEARING 6002DDW		1				
019	262130-7	URETHANE RING 4		1				
020	265382-9	HEX. SOCKET HEAD BOLT M5X20		1				
021	262130-7	URETHANE RING 4		1				
022	226921-0	INTERNAL GEAR 40		1				
023	911138-5	PAN HEAD SCREW M4X20		4				
024	183R20-8	HANDLE SET		1				
C10	263005-3	RUBBER PIN 6		2				
D10		INC. 28						
025	226922-8	INTERNAL GEAR 39		1				
026	620A64-0	DIAL CIRCUIT		1				
027	140T79-0	INDICATION PLATE COMPLETE		1				
028	263027-3	RUBBER PIN 4		1				
029	651486-7	SWITCH C3JW-4B-R		1				
030	412551-5	LOCK OFF BUTTON		1				
031	620521-2	LED CIRCUIT		1				
032	857C76-4	DPB183 SERIAL NO. LABEL		1				
033	620D03-8	CONTROLLER		1				
034	643874-2	TERMINAL		1				
035	266130-9	TAPPING SCREW BIND PT 3X16		8				
036	961017-7	STOP RING E-3		2				

Model No.DPB183 CORDLESS PORTABLE BAND SAW

Position	Artikel-Nr.	Beschreibung	I/C	Stk.	New/Old	Opt. 1	Opt. 2	Hinweis
037	256689-4	PIN 4		2				
038	412485-2	WHEEL COVER		1				
039	231955-0	RING SPRING 12		1				
040	271462-1	LEVER 54		1				
041	911138-5	PAN HEAD SCREW M4X20		4				
042	459084-9	LEVER HOLDER		1				
043	214408-4	PLANE BEARING 30		1				
044	326351-6	LEVER SHAFT		1				
045	140V75-0	FRAME COMPLETE		1				
C10	424736-1	SPONGE		1				
C20	263005-3	RUBBER PIN 6		1				
046	922224-7	H.S.H.BOLT M5X16 WITH WG		2				
047	346728-9	STOPPER PLATE		1				
048	267010-2	FLAT WASHER 5		2				
049	212199-1	NEEDLE BEARING 510		1				
050	234313-9	COMPRESSION SPRING 9		1				
051	256155-1	PIN 5		1				
052	911138-5	PAN HEAD SCREW M4X20		1				
054	162564-3	SLIDE PLATE		1				
055	267164-5	FLAT WASHER 15		1				
056	268241-6	PIN 6		1				
057	911138-5	PAN HEAD SCREW M4X20		2				
058	424589-8	RUBBER TIRE		1				
059	140J07-5	WHEEL COMPLETE A		1				
060	265484-1	HEX. SOCKET HEAD BOLT M6X17		1				
062	267173-4	FLAT WASHER 6		1				
063	424589-8	RUBBER TIRE		1				
064	459087-3	WHEEL B		1				
065	265484-1	HEX. SOCKET HEAD BOLT M6X17		1				
067	267173-4	FLAT WASHER 6		1				
068	251337-0	+ PAN HEAD SCREW M5		1				
069	210187-2	BALL BEARING 696ZZ		1				
070	941152-7	FLAT WASHER 6		1				
071	210187-2	BALL BEARING 696ZZ		1				
072	251337-0	+ PAN HEAD SCREW M5		1				
073	210187-2	BALL BEARING 696ZZ		1				
074	941152-7	FLAT WASHER 6		1				
075	210187-2	BALL BEARING 696ZZ		1				
076	319995-9	UPPER HOLDER		1				
077	911138-5	PAN HEAD SCREW M4X20		2				
078	256033-5	PIN 6		1				

Model No.DPB183 CORDLESS PORTABLE BAND SAW

Position	Artikel-Nr.	Beschreibung	I/C	Stk.	New/Old	Opt. 1	Opt. 2	Hinweis
079	210187-2	BALL BEARING 696ZZ		1				
080	210187-2	BALL BEARING 696ZZ		1				
081	941152-7	FLAT WASHER 6		1				
082	210187-2	BALL BEARING 696ZZ		1				
083	251337-0	+ PAN HEAD SCREW M5		1				
084	251337-0	+ PAN HEAD SCREW M5		1				
085	210187-2	BALL BEARING 696ZZ		1				
086	941152-7	FLAT WASHER 6		1				
087	210187-2	BALL BEARING 696ZZ		1				
088	256033-5	PIN 6		1				
089	210187-2	BALL BEARING 696ZZ		1				
090	911138-5	PAN HEAD SCREW M4X20		2				
091	319994-1	LOWER HOLDER		1				
092	162815-4	HOOK		1				
093	231433-0	COMPRESSION SPRING 4		1				
094	652069-6	FLAT HEAD SCREW M3X6		3				
098	162815-4	HOOK		1				
099	266490-9	TAPPING SCREW PT 2X6		3				
100	911223-4	PAN HEAD SCREW M5X16		2				
101	127601-0	HOOK ASSEMBLY		1				
D10		INC. 102-106						
102	281028-9	HOOK		1				
103	262561-0	SLEEVE 6		1				
104	233455-6	COMPRESSION SPRING 7		1				
105	313127-0	JOINT		1				
106	951057-3	SPRING PIN 3-12		1				
107	327637-1	GUARD		1				
108	941102-2	FLAT WASHER 5		2				
109	253484-3	TOOTHED LOCK WASHER 5		2				
110	264013-7	HEX. LOCK NUT M5-8		2				
A01	783202-0	HEX. WRENCH 4		1				
A02	B-40559	PORTABLE BANDSAW BLADE 18TPI		1				

Please order the parts with part number.

Print Date 30/6/2020