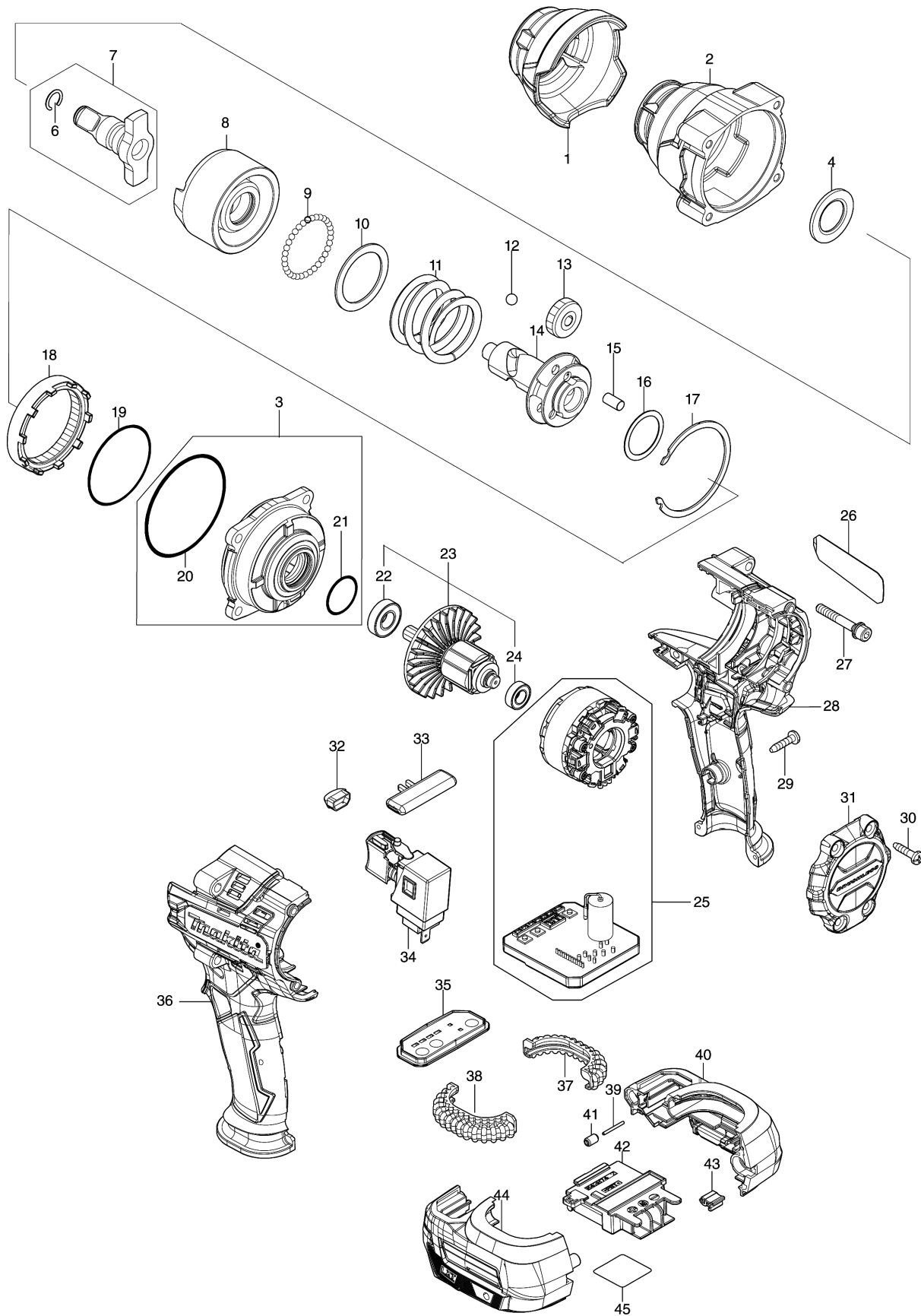


Model No.DTW700 CORDLESS IMPACT WRENCH



Model No.DTW700 CORDLESS IMPACT WRENCH

Position	Artikel-Nr.	Beschreibung	I/C	Stk.	New/Old	Opt. 1	Opt. 2	Hinweis
001	422607-6	BUMPER		1				
002	140U47-9	HAMMER CASE COMPLETE		1				
003	136296-8	INTERNAL GEAR CASE ASS'Y		1				
D10		INC. 20,21						
004	253481-9	FLAT WASHER 20		1				
006	231907-1	RING SPRING 10		1				
007	136256-0	ANVIL ASS'Y		1				
D10		INC. 6						
008	327624-0	HAMMER		1				
009	216001-0	STEEL BALL 3.5		33				
010	267340-1	FLAT WASHER 32		1				
011	232629-6	COMPRESSION SPRING 34		1				
012	216007-8	STEEL BALL 6.4		2				
013	227813-6	SPUR GEAR 21		3				
014	327623-2	SPINDLE		1				
015	256211-7	PIN 6		3				
016	267494-4	FLAT WASHER 25		1				
017	347722-4	RETAINER		1				
018	227814-4	INTERNAL SPUR GEAR 48		1				
019	213624-5	O RING 48		1				
020	213654-6	O RING 60		1				
021	213961-7	O RING 22		1				
022	210069-8	BALL BEARING 6900DDW		1				
023	519635-1	ROTOR ASS'Y		1				
D10		INC. 22,24						
024	211343-7	BALL BEARING 688ZZ		1				
025	629A06-1	STATOR COMPLETE		1				
026	857M03-1	DTW700 NAME PLATE		1				
027	251476-6	H.S.H.BOLT M5X35 WITH WR		4				
028	183P88-2	HOUSING SET		1				
D10		INC. 36						
029	266326-2	TAPPING SCREW 4X18		7				
030	266326-2	TAPPING SCREW 4X18		4				
031	412673-1	REAR COVER		1				
032	620549-0	LED CIRCUIT		1				
033	456268-0	F/R CHANGE LEVER		1				
034	140U03-9	SWITCH COMPLETE		1				
C10	424774-3	SWITCH COVER		1				
035	140U53-4	SWITCH PLATE COMPLETE		1				
C10	8012S9-8	SWITCH LABEL		1				
036	183P88-2	HOUSING SET		1				
D10		INC. 28						

Model No.DTW700 CORDLESS IMPACT WRENCH

Position	Artikel-Nr.	Beschreibung	I/C	Stk.	New/Old	Opt. 1	Opt. 2	Hinweis
037	424773-5	CUSHION RUBBER		1				
038	424773-5	CUSHION RUBBER		1				
039	268284-8	PIN 1.5		1				
040	183P89-0	BATTERY HOUSING SET		1				
C10	263005-3	RUBBER PIN 6		2				
C20	252126-6	HEX. LOCK NUT M4-7		2				
D10		INC. 44						
041	263036-2	RUBBER PIN 5		1				
042	643874-2	TERMINAL		1				
043	424517-3	CUSHION		1				
044	183P89-0	BATTERY HOUSING SET		1				
C10	263005-3	RUBBER PIN 6		2				
C20	252126-6	HEX. LOCK NUT M4-7		2				
D10		INC. 40						
045	857M11-2	DTW700 SERIAL NO. LABEL		1				
A01	251314-2	+ SCREW M4X12		1				
A02	347723-2	HOOK		1				
A03B	***DC18RC	DC18RC FAST CHARGER		1				
D10		COMPO-PARTS						
A04B	450128-8	BATTERY COVER		1				
A05B	197280-8	BATTERY BL1850B SET		2				
A06B	821551-8	CONNECTOR PLASTIC CASE (TYPE3)		1				
C10	453974-8	LATCH		4				
A07B	837645-9	INNER TRAY		1				
A08B	8019U3-6	DTW700RTJ PLASTIC CASE LABEL		2				
A09B	8019U2-8	DTW700RTJ INDICATION LABEL		1				

Please order the parts with part number.

Print Date 1/9/2020