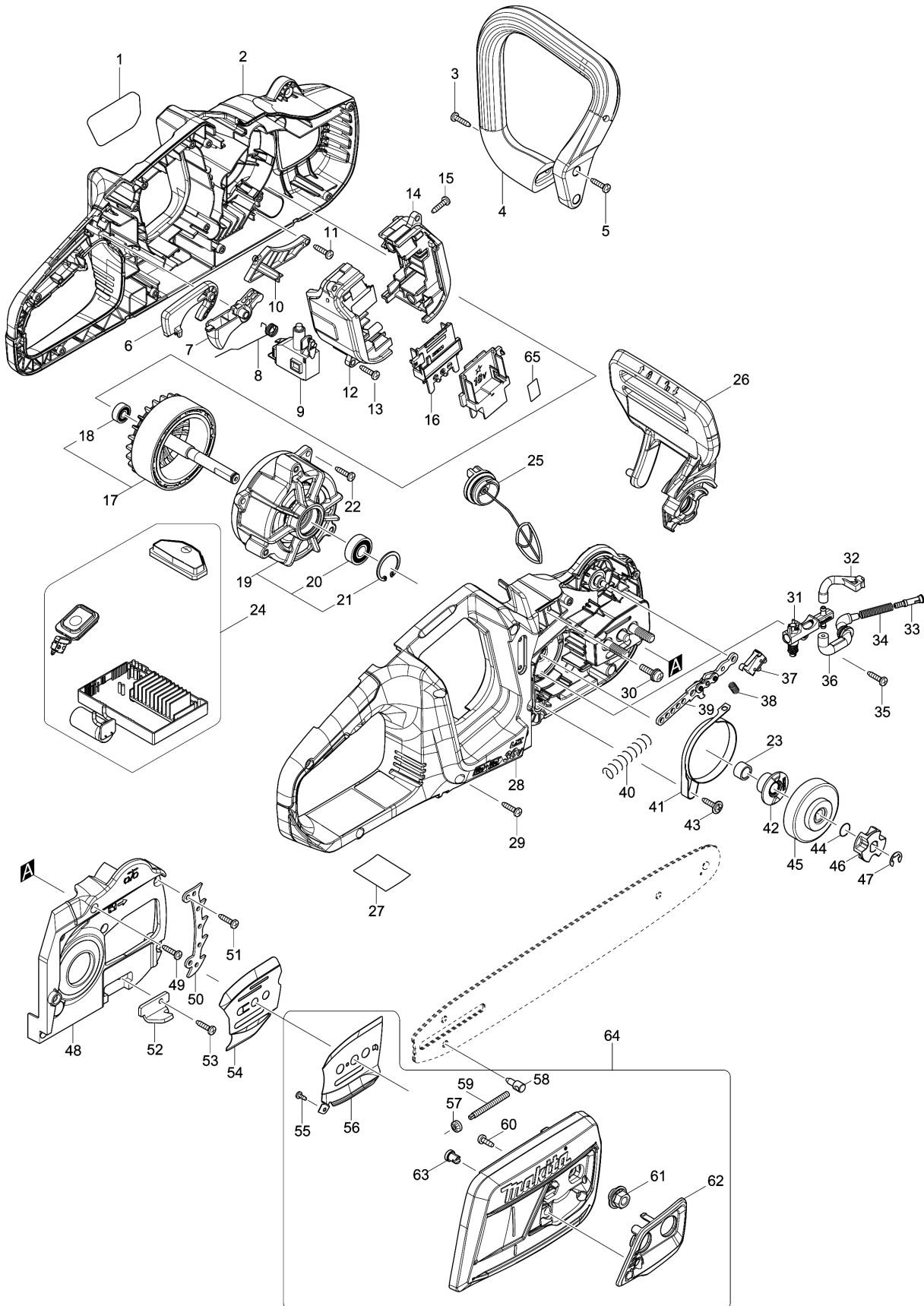


Model No.DUC355 350MM CORDLESS CHAIN SAW



Model No.DUC355 350MM CORDLESS CHAIN SAW

Position	Artikel-Nr.	Beschreibung	I/C	Stk.	New/Old	Opt. 1	Opt. 2	Hinweis
001	818F45-8	DUC355 MODEL NO. LABEL		1				
002	183K81-6	HOUSING SET		1	*			
C10	812D15-7	CAUTION LABEL		1	*			
D10		INC. 28			*			
002-1	183K81-6	HOUSING SET	O	1				
C10	812D15-7	CAUTION LABEL		1				
D10		INC. 28						
003	266326-2	Schraube 4x18		2				
004	457007-1	FRONT HANDLE		1				
005	266326-2	Schraube 4x18		2				
006	457013-6	CATCH LEVER		1				
007	457006-3	SWITCH LEVER		1				
008	232318-3	TORSION SPRING 10		1				
009	650781-2	SWITCH C3JW-6B-P		1				
010	457010-2	HOUSING L COVER		1				
011	266326-2	Schraube 4x18		1				
012	183F15-9	TERMINAL BOX SET		1				
C10	263005-3	Gummistift 6		4				
D10		INC. 14						
013	266326-2	Schraube 4x18		4				
014	183F15-9	TERMINAL BOX SET		1				
C10	263005-3	Gummistift 6		4				
D10		INC. 12						
015	266326-2	Schraube 4x18		2				
016	643874-2	TERMINAL		2				
017	519411-3	ROTOR ASS'Y		1				
D10		INC. 18						
018	210028-2	Rillenkugellager 606ZZ		1				
019	592H45-5	STATOR ASS'Y		1				
D10		INC. 20,21						
020	210059-1	Rillenkugellager 6000DDW		1				
021	962105-3	Sicherungsring R-26		1				
022	266326-2	Schraube 4x18		3				
023	257402-3	SLEEVE 10		1				
024	144254-0	CONTROLLER COMPLETE		1				
025	168508-1	TANK CAP COMPLETE		1				
C10	213355-6	O-RING 25		1				
026	458418-3	FRONT HAND GUARD		1				
027	855A12-2	DUC355 NAME PLATE		1				
028	183K81-6	HOUSING SET		1	*			
C10	812D15-7	CAUTION LABEL		1	*			
D10		INC. 2			*			

Model No.DUC355 350MM CORDLESS CHAIN SAW

Position	Artikel-Nr.	Beschreibung	I/C	Stk.	New/Old	Opt. 1	Opt. 2	Hinweis
028-1	183K81-6	HOUSING SET	O	1				
C10	812D15-7	CAUTION LABEL		1				
D10		INC. 2						
029	266326-2	Schraube 4x18		8				
030	911233-1	Kombi-Schraube M5x20		3				
031	142156-4	OIL PUMP COMPLETE		1				
032	424904-6	CONNECTOR B		1				
033	452666-6	Nippel		1				
034	234207-8	Druckfeder 6		1				
035	266326-2	Schraube 4x18		1				
036	424903-8	CONNECTOR A		1				
037	632H47-0	SWITCH UNIT		1				
038	231298-0	Druckfeder 6		1				
039	163448-8	Transportsicherung		1				
040	232319-1	COMPRESSION SPRING 9		1				
041	345454-7	Bremsband		1				
042	221427-3	WORM GEAR		1				
043	265620-9	TAPPING SCREW FLANGE 4X18		1				
044	213060-5	O RING 10		1				
045	161891-5	BRAKE DRUM COMPLETE		1				
046	221464-7	SPROCKET 6		1				
047	961013-5	Sicherungsscheibe E-7		1				
048	457004-7	HOUSING R COVER		1				
049	266326-2	Schraube 4x18		4				
050	347078-5	SPIKE BUMPER		1				
051	266326-2	Schraube 4x18		2				
052	347079-3	CHAIN CATCHER		1				
053	266326-2	Schraube 4x18		1				
054	346694-0	GUIDE PLATE ES		1				
055	266166-8	Blechschrabe CT 3x8		2				
056	346699-0	GUIDE PLATE CS		1				
057	227496-2	Kegelrad 14		1				
058	326311-8	ADJUST PIN		1				
059	326313-4	ADJUST SCREW		1				
060	266427-6	Schraube 4x12		2				
061	162493-0	FLANGE NUT COMPLETE		2	*			
061-1	162493-0	FLANGE NUT COMPLETE	O	2				
062	454620-6	NUT COVER		1				
063	227620-7	DRIVE GEAR		1				
064	136071-2	SPROCKET COVER ASSY		1				
D10		INC. 55-63			*			
D11		INC. 55-63,66						

Please order the parts with part number.

Print Date 8/9/2020

Model No.DUC355 350MM CORDLESS CHAIN SAW

Position	Artikel-Nr.	Beschreibung	I/C	Stk.	New/Old	Opt. 1	Opt. 2	Hinweis
065	855A18-0	DUC355 SERIAL NO. LABEL		1				
066	458871-3	SPROCKET COVER		1				
A01	782027-9	BOX WRENCH		1				
A02	165246-6	Saegeschiene 350mm 1,1mm 3/8"		1	*			
A02-1	165246-6	Saegeschiene 350mm 1,1mm 3/8"	O	1				
A03	419288-5	Saegekettenschutz 36x10cm		1				
A04	196741-5	SAW CHAIN SET		1				

Please order the parts with part number.

Print Date 8/9/2020