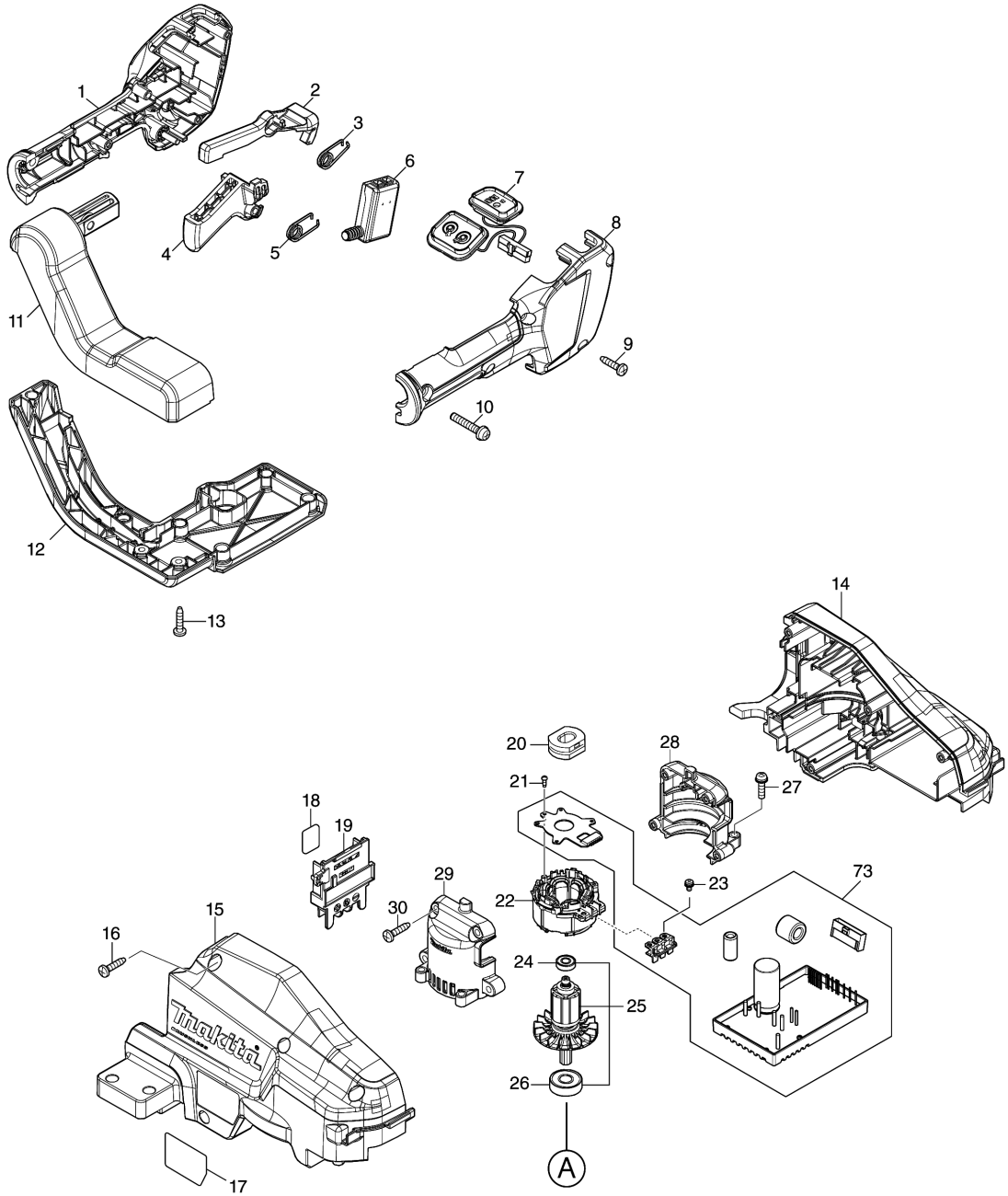
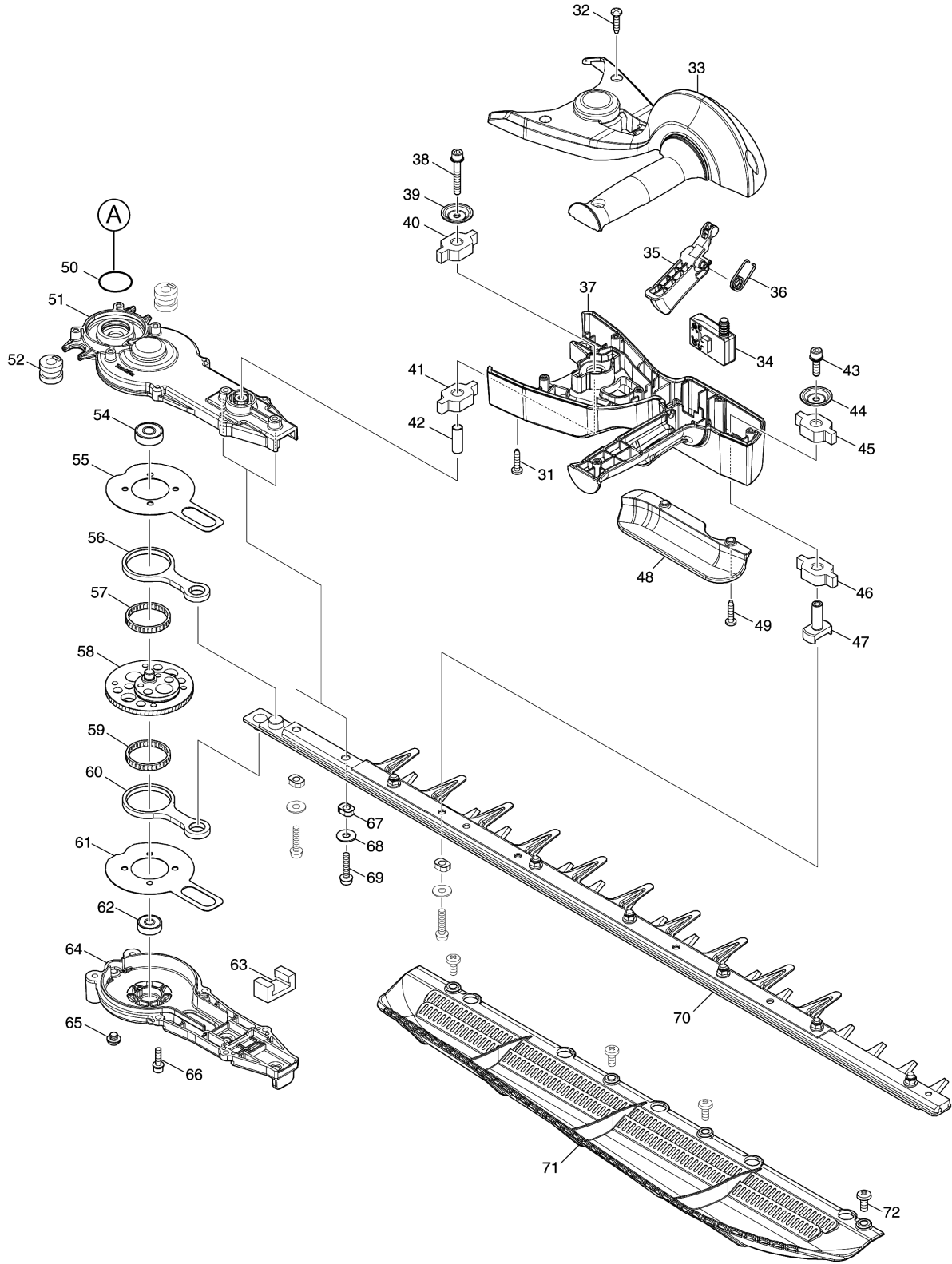


Model No.DUH604S 600MM CORDLESS HEDGE TRIMMER



Model No.DUH604S 600MM CORDLESS HEDGE TRIMMER



Model No.DUH604S 600MM CORDLESS HEDGE TRIMMER

Position	Artikel-Nr.	Beschreibung	I/C	Stk.	New/Old	Opt. 1	Opt. 2	Hinweis
001	183N66-0	GRIP SET		1				
C10	252180-0	HEX. LOCK NUT M5-8		1				
D10		INC. 8						
002	455629-1	LOCK OFF LEVER		1				
003	233621-5	TORSION SPRING 9		1				
004	412315-7	SWITCH LEVER R		1				
005	233621-5	TORSION SPRING 9		1				
006	651083-9	SWITCH C3XA-1PSPM		1				
007	140S92-2	SUB CONTROLLER COMPLETE		1				
C10	8008M5-7	SWITCH LABEL		1				
C20	8008M7-3	INDICATION LABEL		1				
008	183N66-0	GRIP SET		1				
C10	252180-0	HEX. LOCK NUT M5-8		1				
D10		INC. 1						
009	266326-2	TAPPING SCREW 4X18		4				
010	911253-5	PAN HEAD SCREW M5X30		1				
011	412311-5	GRIP JOINT COVER		1				
012	412310-7	GRIP JOINT		1				
013	266326-2	TAPPING SCREW 4X18		8				
014	183N69-4	HOUSING SET		1				
C10	263005-3	RUBBER PIN 6		2				
C20	424344-8	DAMPER		4				
D10		INC. 15						
015	183N69-4	HOUSING SET		1				
C10	263005-3	RUBBER PIN 6		2				
C20	424344-8	DAMPER		4				
D10		INC. 14						
016	266326-2	TAPPING SCREW 4X18		4				
017	856R28-2	DUH604S NAME PLATE		1				
018	856R31-3	DUH604S SERIAL NO. LABEL		1				
019	643874-2	TERMINAL		1				
020	422261-6	RUBBER SLEEVE		1				
021	266490-9	TAPPING SCREW PT 2X6		3				
022	629352-6	STATOR		1				
023	652069-6	FLAT HEAD SCREW M3X6		3				
024	211157-4	BALL BEARING 695ZZ		1				
025	510448-3	ROTOR ASSY		1				
D10		INC. 24,26						
026	210005-4	BALL BEARING 608DDW		1				
027	911128-8	P.H.SCREW M4X16 WITH WR		4				
028	183L66-8	MOTOR HOUSING SET		1				
D10		INC. 29						

Please order the parts with part number.

Print Date 4/3/2020

Model No.DUH604S 600MM CORDLESS HEDGE TRIMMER

Position	Artikel-Nr.	Beschreibung	I/C	Stk.	New/Old	Opt. 1	Opt. 2	Hinweis
029	183L66-8	MOTOR HOUSING SET		1				
D10		INC. 28						
030	266326-2	TAPPING SCREW 4X18		4				
031	266326-2	TAPPING SCREW 4X18		4				
032	266326-2	TAPPING SCREW 4X18		6				
033	183P30-3	FRONT GRIP SET		1				
C10	8008M9-9	CAUTION LABEL		1				
D10		INC. 37						
034	651083-9	SWITCH C3XA-1PSPM		1				
035	412316-5	SWITCH LEVER F		1				
036	233621-5	TORSION SPRING 9		1				
037	183P30-3	FRONT GRIP SET		1				
C10	8008M9-9	CAUTION LABEL		1				
D10		INC. 33						
038	251476-6	H.S.H.BOLT M5X35 WITH WR		1				
039	253416-0	DISH WASHER 5		1				
040	422260-8	RUBBER SLEEVE 8		1				
041	422260-8	RUBBER SLEEVE 8		1				
042	257678-2	SLEEVE 6		1				
043	922228-9	H.S.H.BOLT M5X18 WITH WR		1				
044	253416-0	DISH WASHER 5		1				
045	422260-8	RUBBER SLEEVE 8		1				
046	422260-8	RUBBER SLEEVE 8		1				
047	327535-9	CONNECTER		1				
048	412317-3	LOWER GUARD		1				
049	266326-2	TAPPING SCREW 4X18		2				
050	213961-7	O RING 22		1				
051	140S12-6	GEAR HOUSING COMPLETE		1				
C10	424344-8	DAMPER		1				
052	422259-3	RUBBER SLEEVE 8		2				
054	211032-4	BALL BEARING 608ZZ		1	*			
054-1	210223-4	BALL BEARING 608ZZ	O	1				
055	347361-0	FRICTION PLATE		1				
056	347662-6	CONNECTING ROD		1				
057	212229-8	NEEDLE CAGE 315		1				
058	140R63-3	GEAR COMPLETE		1				
059	212229-8	NEEDLE CAGE 315		1				
060	347662-6	CONNECTING ROD		1				
061	347361-0	FRICTION PLATE		1				
062	211499-6	BALL BEARING 626ZZ		1				
063	443159-4	SEAL		1				
064	140B62-9	GEAR HOUSING COVER COMPLETE		1				

Please order the parts with part number.

Print Date 4/3/2020

Model No.DUH604S 600MM CORDLESS HEDGE TRIMMER

Position	Artikel-Nr.	Beschreibung	I/C	Stk.	New/Old	Opt. 1	Opt. 2	Hinweis
065	266559-9	H.S.BUTTON HEAD BOLT M6X4		1				
066	922128-3	HEX. SOCKET HEAD BOLT M4X16		6				
067	310983-9	SLEEVE 5		3				
068	253804-1	FLAT WASHER 6		3				
069	265182-7	+ PAN HEAD SCREW M5X25		3				
070	191D38-1	SHEAR BLADE ASSEMBLY 600 E SET		1				
C10	188605-7	OIL VESSEL SET		1				
C20	310983-9	SLEEVE 5		6				
D10		INC. 67						
071	191D33-1	CHIP RECEIVER 600E SET		1				
072	915211-3	BINDING HEAD SCREW M5X12		4				
073	620B95-5	CONTROLLER		1				
A01	412769-8	BLADE COVER 600		1				
A03B	450128-8	BATTERY COVER		2				
A04B	197422-4	BATTERY BL1860B SET		2				
A05B	***DC18RC	DC18RC FAST CHARGER		1				
D10		COMPO-PARTS						
E01	800A66-4	SOUND 91DB LABEL		1				

Please order the parts with part number.

Print Date 4/3/2020