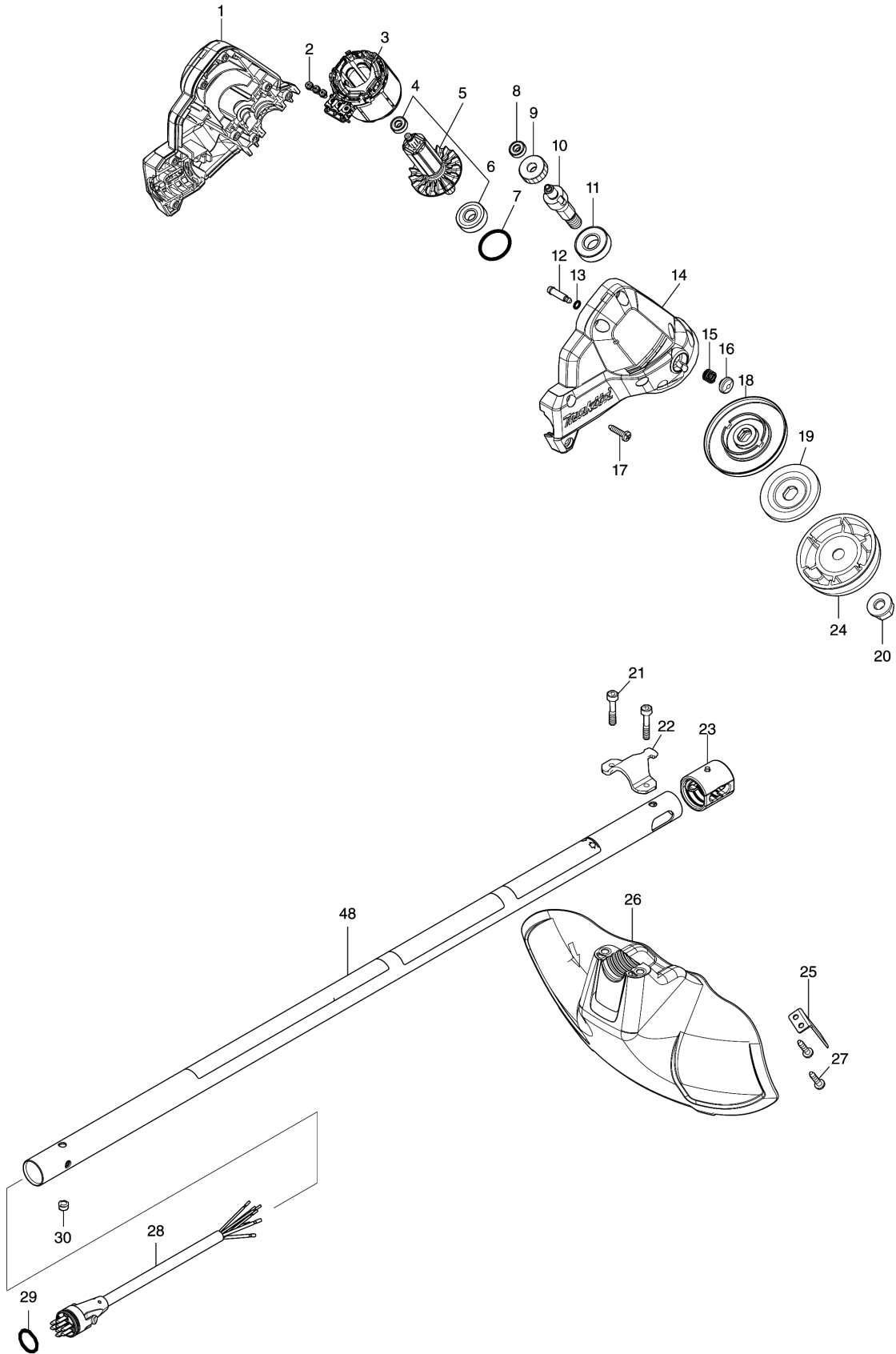
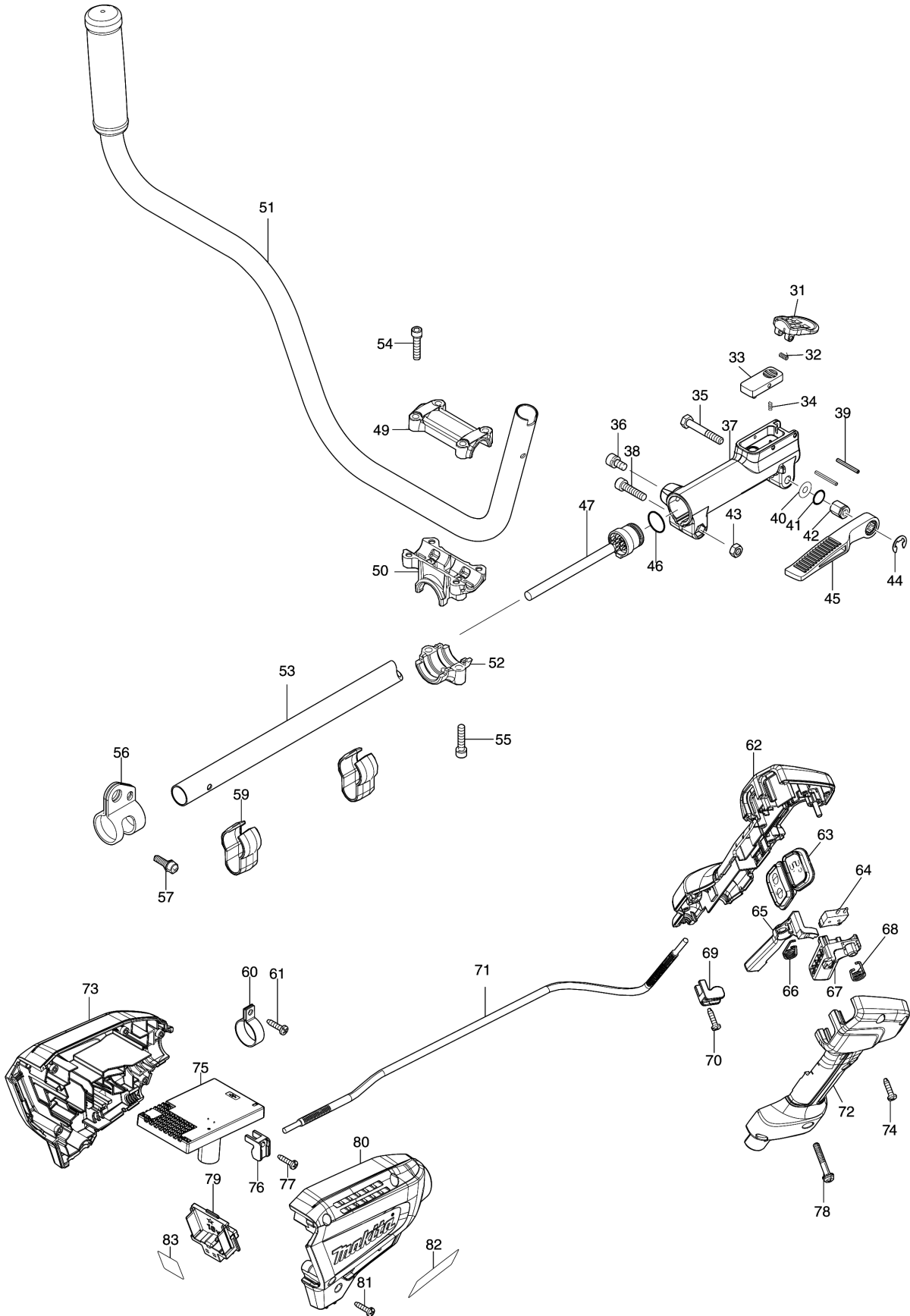


Model No.DUR191U CORDLESS GRASS TRIMMER



Model No.DUR191U CORDLESS GRASS TRIMMER



Model No.DUR191U CORDLESS GRASS TRIMMER

| Position | Artikel-Nr. | Beschreibung                | I/C | Stk. | New/Old | Opt. 1 | Opt. 2 | Hinweis |
|----------|-------------|-----------------------------|-----|------|---------|--------|--------|---------|
| 001      | 183P06-0    | MOTOR HOUSING SET           |     | 1    |         |        |        |         |
| D10      |             | INC. 14                     |     |      |         |        |        |         |
| 002      | 652069-6    | FLAT HEAD SCREW M3X6        |     | 3    |         |        |        |         |
| 003      | 629248-1    | STATOR                      |     | 1    |         |        |        |         |
| 004      | 210215-3    | BALL BEARING 695ZZ          |     | 1    |         |        |        |         |
| 005      | 510449-1    | ROTOR ASS'Y                 |     | 1    |         |        |        |         |
| D10      |             | INC. 4,6                    |     |      |         |        |        |         |
| 006      | 210049-4    | BALL BEARING 609ZZ          |     | 1    |         |        |        |         |
| 007      | 213380-7    | O RING 24                   |     | 1    |         |        |        |         |
| 008      | 210215-3    | BALL BEARING 695ZZ          |     | 1    |         |        |        |         |
| 009      | 221492-2    | HELICAL GEAR 26             |     | 1    |         |        |        |         |
| 010      | 327542-2    | CUTTER SHAFT                |     | 1    |         |        |        |         |
| 011      | 211131-2    | BALL BEARING 6001DDW        |     | 1    |         |        |        |         |
| 012      | 256546-6    | SHOULDER PIN 4              |     | 1    |         |        |        |         |
| 013      | 213021-5    | O RING 5                    |     | 1    |         |        |        |         |
| 014      | 183P06-0    | MOTOR HOUSING SET           |     | 1    |         |        |        |         |
| D10      |             | INC. 1                      |     |      |         |        |        |         |
| 015      | 233072-2    | COMPRESSION SPRING 8        |     | 1    |         |        |        |         |
| 016      | 412408-0    | PIN CAP                     |     | 1    |         |        |        |         |
| 017      | 266326-2    | TAPPING SCREW 4X18          |     | 8    |         |        |        |         |
| 018      | 140T23-7    | RECEIVE WASHER COMPLETE     |     | 1    |         |        |        |         |
| 021      | 251513-6    | H.S.H.BOLT M5X25            |     | 2    |         |        |        |         |
| 022      | 347667-6    | PROTECTOR CLAMP             |     | 1    |         |        |        |         |
| 023      | 424567-8    | RUBBER SLEEVE 24            |     | 1    |         |        |        |         |
| 025      | 346855-2    | CUTTER                      |     | 1    |         |        |        |         |
| 026      | 412392-9    | PROTECTOR                   |     | 1    |         |        |        |         |
| 027      | 266326-2    | TAPPING SCREW 4X18          |     | 2    |         |        |        |         |
| 028      | 699088-1    | POWER SUPPLY CORD UNIT      |     | 1    |         |        |        |         |
| 029      | 213275-4    | O RING 18                   |     | 1    |         |        |        |         |
| 030      | 326880-9    | STOPPER PIN B               |     | 1    |         |        |        |         |
| 031      | 454304-6    | JOINT COVER                 |     | 1    |         |        |        |         |
| 032      | 233604-5    | TORSION SPRING 3            |     | 1    |         |        |        |         |
| 033      | 454303-8    | LOCK LEVER                  |     | 1    |         |        |        |         |
| 034      | 233211-4    | COMPRESSION SPRING 2        |     | 1    |         |        |        |         |
| 035      | 265596-0    | HEX.BOLT M6X40              |     | 1    |         |        |        |         |
| 036      | 922311-2    | HEX. SOCKET HEAD BOLT M6X12 |     | 1    |         |        |        |         |
| 037      | 319531-1    | JOINT 24 B                  |     | 1    |         |        |        |         |
| 038      | 922342-1    | HEX. SOCKET HEAD BOLT M6X25 |     | 1    |         |        |        |         |
| 039      | 258010-3    | SPRING PIN 2.5-25           |     | 2    |         |        |        |         |
| 040      | 253332-6    | THIN WASHER 6               |     | 1    |         |        |        |         |
| 041      | 213105-9    | O RING 11                   |     | 1    |         |        |        |         |

Model No.DUR191U CORDLESS GRASS TRIMMER

| Position | Artikel-Nr. | Beschreibung                   | I/C | Stk. | New/Old | Opt. 1 | Opt. 2 | Hinweis |
|----------|-------------|--------------------------------|-----|------|---------|--------|--------|---------|
| 042      | 252159-1    | HEX. NUT M6                    |     | 1    |         |        |        |         |
| 043      | 931302-2    | HEX. NUT M6                    |     | 1    |         |        |        |         |
| 044      | 961014-3    | STOP RING E-8                  |     | 1    |         |        |        |         |
| 045      | 272268-0    | LEVER 94                       |     | 1    |         |        |        |         |
| 046      | 213275-4    | O RING 18                      |     | 1    |         |        |        |         |
| 047      | 699087-3    | POWER SUPPLY CORD UNIT         |     | 1    |         |        |        |         |
| 048      | 140T22-9    | PIPE COMPLETE A                |     | 1    |         |        |        |         |
| C10      | 819N87-3    | CAUTION LABEL                  |     | 1    |         |        |        |         |
| C20      | 819312-8    | MAKITA LOGO LABEL              |     | 1    |         |        |        |         |
| 049      | 318272-6    | HANDLE HOLDER 1                |     | 1    |         |        |        |         |
| 050      | 319705-4    | HANDLE HOLDER                  |     | 1    |         |        |        |         |
| 051      | 144374-0    | HANDLE COMPLETE                |     | 1    |         |        |        |         |
| 052      | 319703-8    | PIPE CLAMP                     |     | 1    |         |        |        |         |
| 053      | 327547-2    | PIPE B                         |     | 1    |         |        |        |         |
| 054      | 922241-7    | HEX. SOCKET HEAD BOLT<br>M5X25 |     | 4    |         |        |        |         |
| 055      | 922241-7    | HEX. SOCKET HEAD BOLT<br>M5X25 |     | 2    |         |        |        |         |
| 056      | 347116-3    | HANGER                         |     | 1    |         |        |        |         |
| 057      | 922212-4    | HEX. SOCKET HEAD BOLT<br>M5X12 |     | 1    |         |        |        |         |
| 059      | 457458-8    | CLAMP                          |     | 2    |         |        |        |         |
| 060      | 346248-3    | CLAMP 24                       |     | 1    |         |        |        |         |
| 061      | 266326-2    | TAPPING SCREW 4X18             |     | 1    |         |        |        |         |
| 062      | 183N99-5    | GRIP SET                       |     | 1    |         |        |        |         |
| C10      | 252180-0    | HEX. LOCK NUT M5-8             |     | 1    |         |        |        |         |
| D10      |             | INC. 72                        |     |      |         |        |        |         |
| 063      | 140T18-0    | SUB CONTROLLER<br>COMPLETE     |     | 1    |         |        |        |         |
| C10      | 8010M7-8    | SWITCH LABEL                   |     | 1    |         |        |        |         |
| C20      | 8010M8-6    | INDICATION LABEL               |     | 1    |         |        |        |         |
| 064      | 632E40-6    | SWITCH UNIT                    |     | 1    |         |        |        |         |
| 065      | 455629-1    | LOCK OFF LEVER                 |     | 1    |         |        |        |         |
| 066      | 233621-5    | TORSION SPRING 9               |     | 1    |         |        |        |         |
| 067      | 455816-2    | SWITCH LEVER                   |     | 1    |         |        |        |         |
| 068      | 233612-6    | TORSION SPRING 10              |     | 1    |         |        |        |         |
| 069      | 687260-7    | STRAIN RELIEF                  |     | 1    |         |        |        |         |
| 070      | 266326-2    | TAPPING SCREW 4X18             |     | 1    |         |        |        |         |
| 071      | 699148-9    | POWER SUPPLY CORD UNIT         |     | 1    |         |        |        |         |
| 072      | 183N99-5    | GRIP SET                       |     | 1    |         |        |        |         |
| C10      | 252180-0    | HEX. LOCK NUT M5-8             |     | 1    |         |        |        |         |
| D10      |             | INC. 62                        |     |      |         |        |        |         |
| 073      | 183P07-8    | HOUSING SET                    |     | 1    |         |        |        |         |
| C10      | 263005-3    | RUBBER PIN 6                   |     | 2    |         |        |        |         |

Model No.DUR191U CORDLESS GRASS TRIMMER

| Position | Artikel-Nr. | Beschreibung                      | I/C | Stk. | New/Old | Opt. 1 | Opt. 2 | Hinweis |
|----------|-------------|-----------------------------------|-----|------|---------|--------|--------|---------|
| D10      |             | INC. 80                           |     |      |         |        |        |         |
| 074      | 266326-2    | TAPPING SCREW 4X18                |     | 5    |         |        |        |         |
| 075      | 620C56-1    | CONTROLLER                        |     | 1    |         |        |        |         |
| 076      | 687260-7    | STRAIN RELIEF                     |     | 1    |         |        |        |         |
| 077      | 266326-2    | TAPPING SCREW 4X18                |     | 1    |         |        |        |         |
| 078      | 911258-5    | PAN HEAD SCREW M5X35              |     | 1    |         |        |        |         |
| 079      | 644809-6    | TERMINAL                          |     | 1    |         |        |        |         |
| 080      | 183P07-8    | HOUSING SET                       |     | 1    |         |        |        |         |
| C10      | 263005-3    | RUBBER PIN 6                      |     | 2    |         |        |        |         |
| D10      |             | INC. 73                           |     |      |         |        |        |         |
| 081      | 266326-2    | TAPPING SCREW 4X18                |     | 6    |         |        |        |         |
| 082      | 857D15-0    | DUR191U NAME PLATE                |     | 1    |         |        |        |         |
| 083      | 857D18-4    | DUR191U SERIAL NO. LABEL          |     | 1    |         |        |        |         |
| A01      | 125520-4    | BAND ASSEMBLY                     |     | 1    |         |        |        |         |
| A05      | 198893-8    | CUTTER ASSEMBLY 95-M10L<br>SET ME |     | 1    |         |        |        |         |
| C10      | 144259-0    | SPOOL COVER COMPLETE              |     | 1    |         |        |        |         |
| C20      | 232289-4    | COMPRESSION SPRING 15             |     | 1    |         |        |        |         |
| C30      | 456640-6    | SPOOL HOLDER                      |     | 1    |         |        |        |         |
| C40      | 456642-2    | SPOOL                             |     | 1    |         |        |        |         |
| A06      | 831304-7    | ACCESSORY BAG                     |     | 1    |         |        |        |         |
| A12      | 424596-1    | CAP 24                            |     | 1    |         |        |        |         |
| A13      | 783202-0    | HEX. WRENCH 4                     |     | 1    |         |        |        |         |
| E01      | 807949-3    | SOUND 94DB LABEL                  |     | 1    |         |        |        |         |

Please order the parts with part number.

Print Date 1/9/2020