

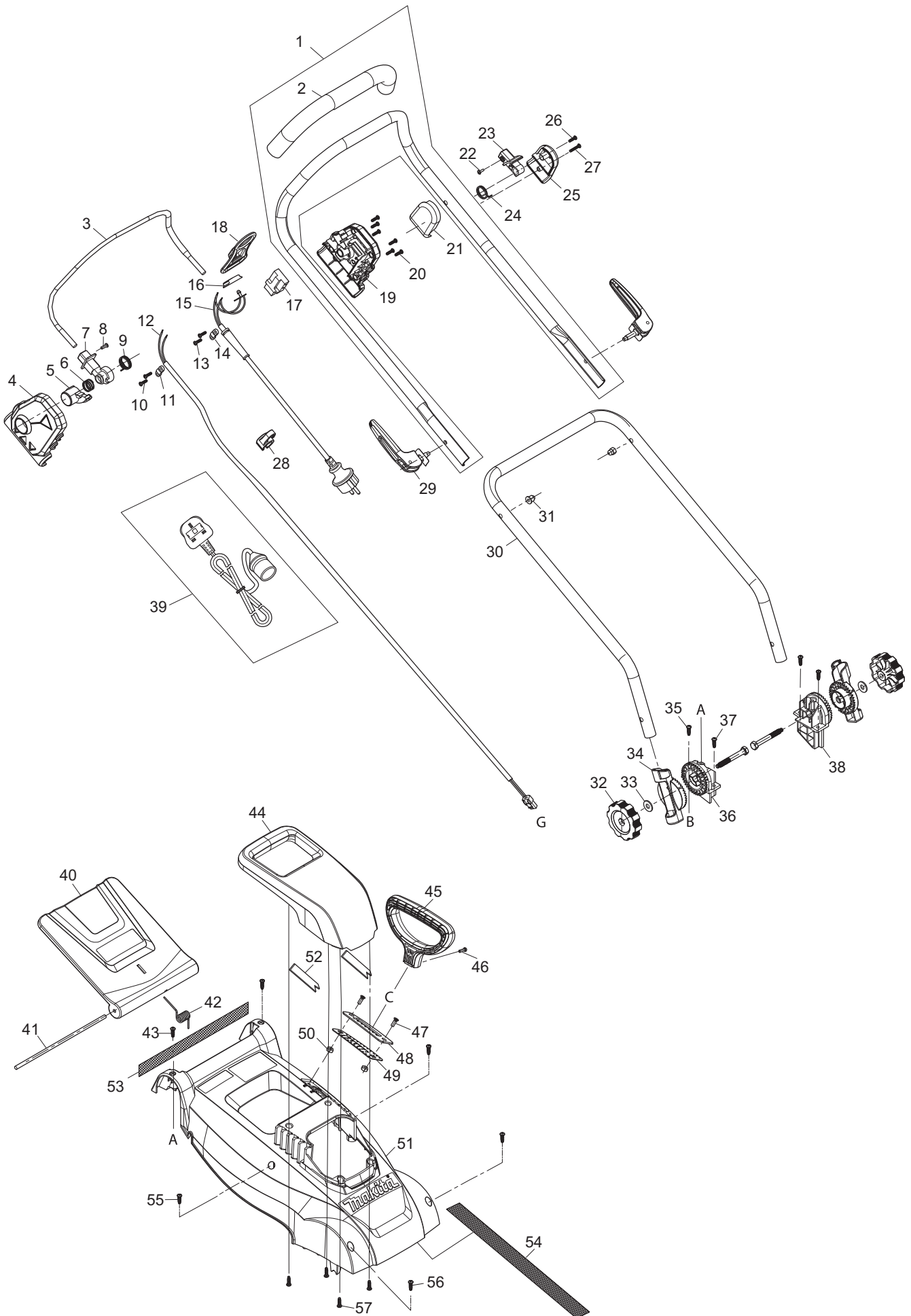


Ersatzteilliste Spare Parts List

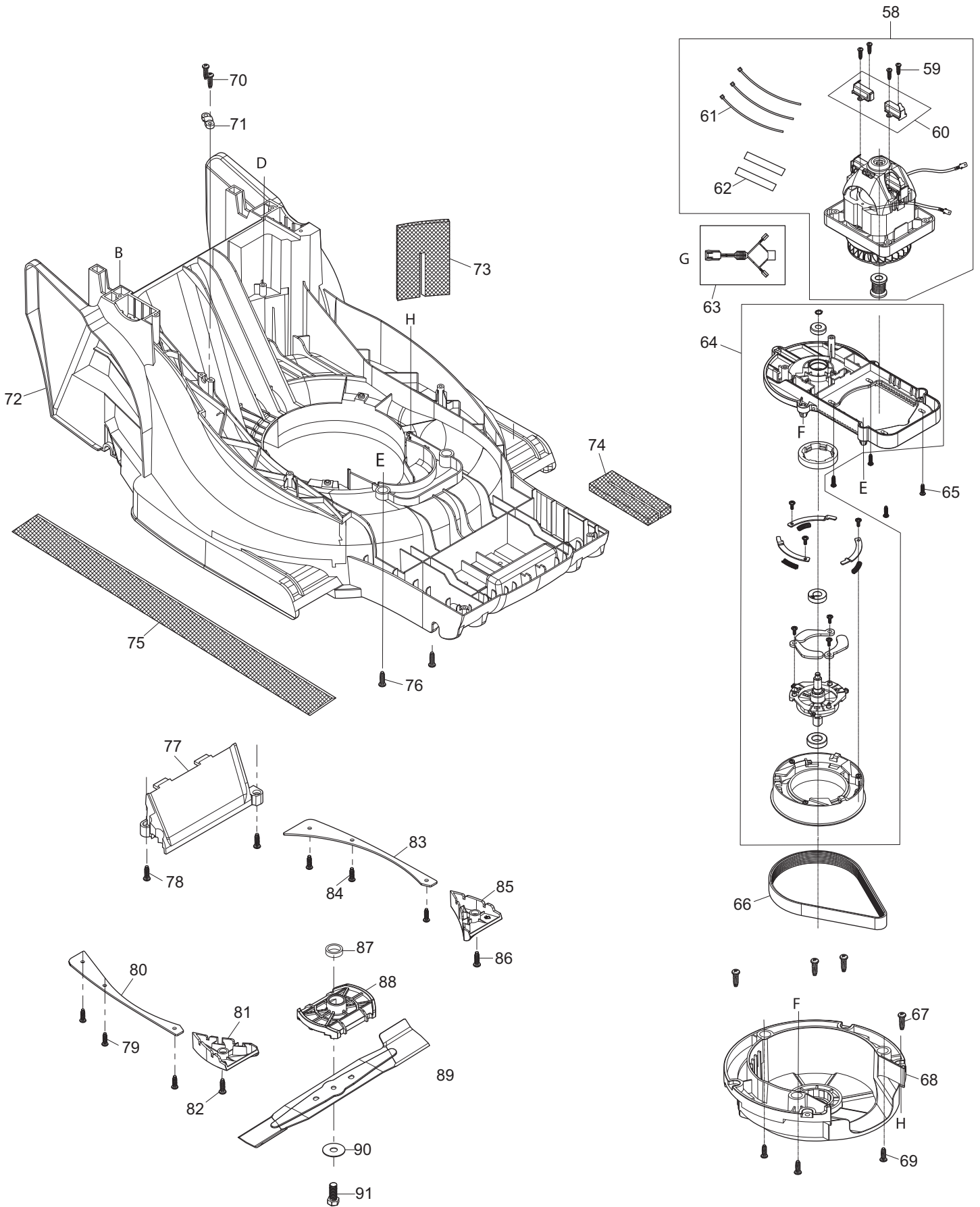
2019-06

EM410
ELM4120

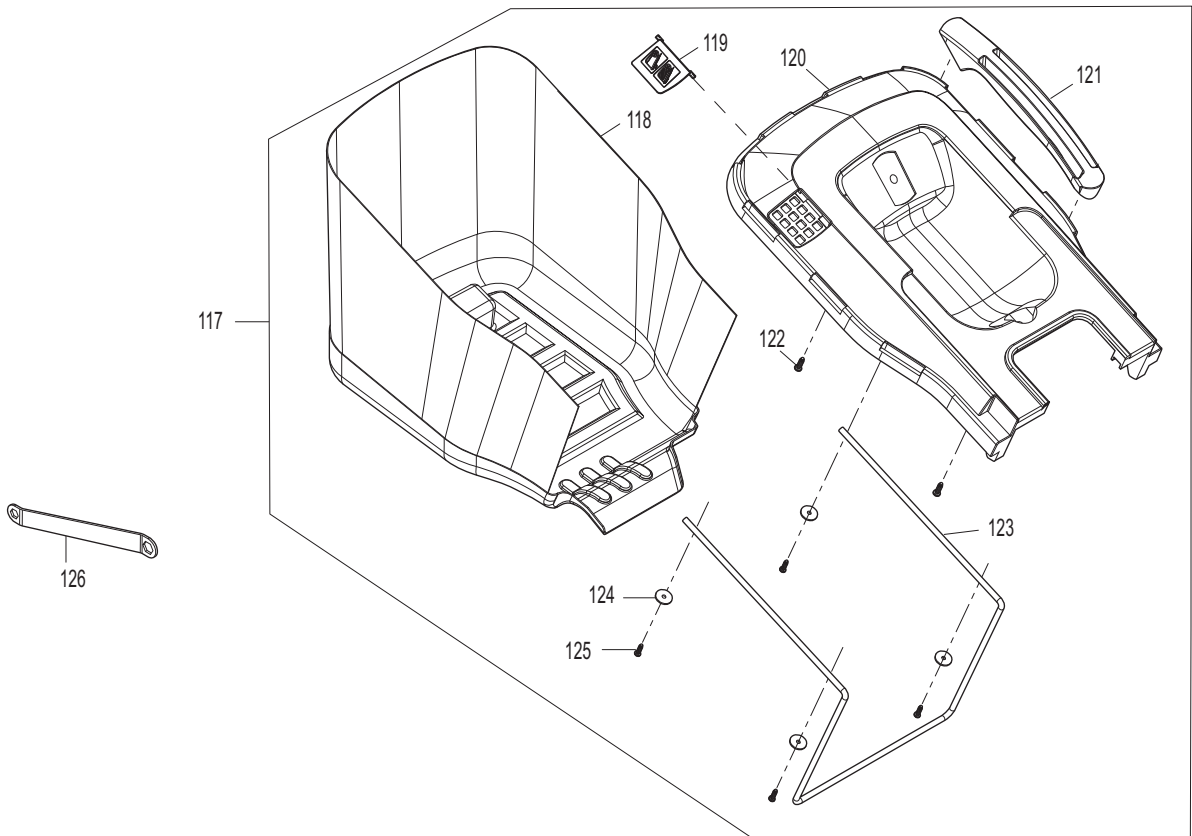
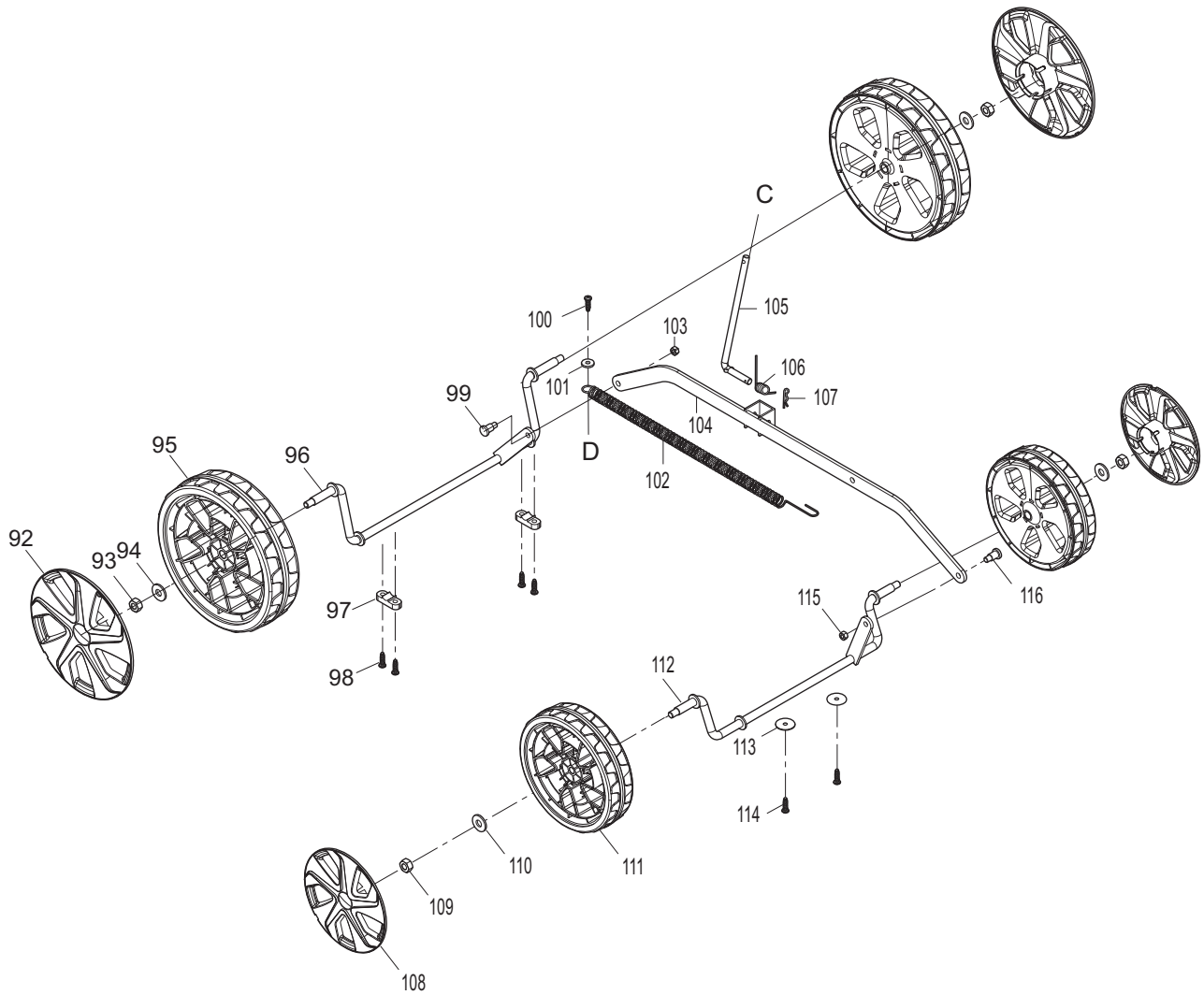
ELM4120, EM410 (D, GB)



Seite / Page	Pos.	EM410	ELM4120	Teil-Nr. Part No.	Hinweise Notes	Bezeichnung	Spezifikation Specification	Description
1	1	1	1	YA00001157		OBERHOLM	INC. 2	UPPER HANDLE BAR ASSY
1	2	1	1	YA00001182		SCHAUMSTOFFGRIFF		SPONGE GRIP
1	3	1	1	YA00001158		SCHALTBÜGEL		SWITCH LEVER
1	4	1	1	YA00000765		SCHALTERGEHÄUSE RECHTS		SWITCH BOX, RIGHT
1	5	1	1	YA00000766		SCHALTKNOPF		SWITCH LINK BUTTON
1	6	1	1	YA00000767		DRUCKFEDER	16.8	COMPRESSION SPRING
1	7	1	1	YA00000768		STECKVERBINDUNG RECHTS		SWITCH LEVER END CAP RIGHT
1	8	1	1	652024721		SCHRAUBE	3,5x10	SCREW
1	9	1	1	YA00000769		SPIRALFEDER	21	SWITCH TORSION SPRING
1	10	2	2	YA00000778		BLECHSCHRAUBE	ST4x16	SELF-TAPPING SCREW
1	11	1	1	YA00000780		KABELKLEMME		CORD CLAMP
1	12	1	1	YA00000914		VERBINDUNGSKABEL		POWER SUPPLY CORD ASSY
1	13	2	2	YA00000778		BLECHSCHRAUBE	ST4x16	SELF-TAPPING SCREW
1	14	1	1	YA00000780		KABELKLEMME		CORD CLAMP
1	15	1	1	YA00000773		ANSCHLUSSLEITUNG	Europa	POWER SUPPLY CORD UNIT
1	16	1	1	YA00000781		ANZEIGE		INDICATOR LENS
1	17	1	1	YA00000772		SCHALTER		SWITCH
1	18	1	1	652023811		KABELHALTERUNG		CABLE HANGER
1	19	1	1	YA00000782		SCHALTERGEHÄUSE LINKS		SWITCH BOX, LEFT
1	20	6	6	YA00000778		BLECHSCHRAUBE	ST4x16	SELF-TAPPING SCREW
1	21	1	1	652023795		GRIFFTRÄGER RECHTS		RIGHT HANDLE SUPPORT
1	22	1	1	652024721		SCHRAUBE	3,5x10	SCREW
1	23	1	1	652023794		STECKVERBINDUNG LINKS		SWITCH LEVER END LEFT
1	24	1	1	YA00000737		SPIRALFEDER		TORSION SPRING
1	25	1	1	652023793		GRIFFTRÄGER LINKS		LEFT HANDLE SUPPORT
1	26	1	1	YA00000778		BLECHSCHRAUBE	ST4x16	SELF-TAPPING SCREW
1	27	1	1	YA00000785		BLECHSCHRAUBE	ST4x25	SELF-TAPPING SCREW
1	28	1	1	YA00000921		KABELSCHELLE		CABLE CLIP
1	29	2	2	YA00000923		VERSTELLGRIFF		TENSION LEVER ASSY
1	30	1	1	YA00000922		UNTERHOLM		LOWER HANDLE
1	31	2	2	YA00000802		6 KANT-HUTMUTTER	M6	HEX. FLANGE CAP NUT
1	32	2	2	YA00000803		STERNGRIFF	M8	KNOB
1	33	2	2	YA00000420		SCHEIBE		WASHER
1	34	2	2	YA00000924		WINKELGELENK OBEN		ANGLE ADJUSTMENT JOINT UPPER
1	35	4	4	YA00000806		BLECHSCHRAUBE	ST5x20	SELF-TAPPING SCREW
1	36	1	1	YA00000875		WINKELGELENK RECHTS	R	ANGLE ADJUSTMENT JOINT LOWER R
1	37	2	2	YA00000807		6 KANT-SCHRAUBE	M8x65	HEX. BOLT
1	38	1	1	YA00000876		WINKELGELENK LINKS	L	ANGLE ADJUSTMENT JOINT LOWER L
1	40	1		YA00000940		HECKKLAPPE ROT	Red	REAR FLAP
1	40	1		YA00000939		HECKKLAPPE BLAU	Blue	REAR FLAP
1	41	1	1	YA00000938		SCHARNIERSTIFT		REAR FLAP HINGE ROD
1	42	1	1	YA00000831		SPIRALFEDER	7.7	REAR FLAP TORSION SPRING
1	43	2	2	YA00000821		BLECHSCHRAUBE	ST4x16	SELF-TAPPING SCREW
1	44	1	1	YA00000941		MOTORABDECKUNG		TOP COVER
1	45	1	1	YA00000848		GRIFF F. HÖHENVERSTELLUNG		HIGHT ADJUST GRIP
1	46	1	1	YA00000849		FLACHKOPFSCHRAUBE	M4x10	PAN HEAD SCREW
1	47	2	2	YA00000398		SENKSCHEIBE	5x14	COUNTERSUNK SCREW
1	48	1	1	YA00000942		SEKTOR F. HÖHENVERSTELLUNG		HEIGHT ADJUSTER STOP PLATE
1	49	1	1	YA00000943		GUMMIPLATTE		STOP PLATE RUBBER SHEET
1	50	2	2	YA00000837		6 KANT-SICHERUNGSMUTTER	M5	NYLON INSERT HEX. LOCK NUT
1	51	1		YA00000945		GEHÄUSE	Rot, Red	HOUSING ASSY
1	51	1		YA00000944		GEHÄUSE	Blau, Blue	HOUSING ASSY
1	52	2	2	YA00000946		SCHAUMSTOFF		SPONGE CUSHION
1	53	1	1	YA00000948		SCHAUMSTOFF		SPONGE CUSHION
1	54	1	1	YA00000947		SCHAUMSTOFF		SPONGE CUSHION
1	55	2	2	YA00000821		BLECHSCHRAUBE	ST4x16	SELF-TAPPING SCREW
1	56	2	2	YA00000821		BLECHSCHRAUBE	ST4x16	SELF-TAPPING SCREW
1	57	4	4	YA00000820		BLECHSCHRAUBE	ST5x16	SELF-TAPPING SCREW



Seite / Page	Pos.	EM410	ELM4120	Teil-Nr. Part No.	Hinweise Notes	Bezeichnung	Spezifikation Specification	Description
2	58	1	1	YA00001176		MOTOR KPL.	230V 1600W INC. 59-62	MOTOR ASSY
2	59	4	4	YA00000813		BLECHSCHRAUBE	ST4x10	SELF-TAPPING SCREW
2	60	1	1	YA00000814		KOHLEBÜRSTEN-SET	2 PCS/SET	CARBON BRUSH
2	61	3	3	YA00001174		KABELBINDER		CABLE TIE
2	62	2	2	YA00001173		SCHRUMPFSCHLAUCH		HEAT SHRINKABLE TUBE
2	63	1	1	YA00001181		KABELSATZ		LEAD WIRE SET
2	64	1	1	YA00001178		MOTORTRÄGER KPL.		MOTOR FRAME & PULLEY ASSY
2	65	4	4	YA00000806		BLECHSCHRAUBE	ST5x20	SELF-TAPPING SCREW
2	66	4	4	YA00001180		RIEMEN		BELT
2	67	4	4	YA00000806		BLECHSCHRAUBE	ST5x20	SELF-TAPPING SCREW
2	68	1	1	YA00001179		RIEMENABDECKUNG		BELT COVER
2	69	3	3	YA00000806		BLECHSCHRAUBE	ST5x20	SELF-TAPPING SCREW
2	70	2	2	YA00000821		BLECHSCHRAUBE	ST4x16	SELF-TAPPING SCREW
2	71	1	1	YA00000780		KABELKLEMME		CORD CLAMP
2	72	1	1	YA00000930		DECK		DECK
2	73	1	1	YA00000931		SCHAUMSTOFF		SPONGE CUSHION
2	74	1	1	YA00000883		SCHAUMSTOFF		SPONGE CUSHION
2	75	1	1	YA00000885		SCHAUMSTOFF		SPONGE CUSHION
2	76	2	2	YA00000806		BLECHSCHRAUBE	ST5x20	SELF-TAPPING SCREW
2	77	1	1	YA00000932		GRASFÜHRUNGSPLATTE		GRASS INTAKE UNDER PLATE
2	78	2	2	YA00000820		BLECHSCHRAUBE	ST5x16	SELF-TAPPING SCREW
2	79	3	3	YA00000820		BLECHSCHRAUBE	ST5x16	SELF-TAPPING SCREW
2	80	1	1	YA00000933		STREBE RECHTS		UNDER BRACE RIGHT
2	81	1	1	YA00000934		LUFTFÜHRUNG RECHTS		AIR INTAKE BOARD RIGHT
2	82	1	1	YA00000820		BLECHSCHRAUBE	ST5x16	SELF-TAPPING SCREW
2	83	1	1	YA00000950		STREBE LINKS		UNDER BRACE LEFT
2	84	3	3	YA00000820		BLECHSCHRAUBE	ST5x16	SELF-TAPPING SCREW
2	85	1	1	YA00000951		LUFTFÜHRUNG LINKS		AIR INTAKE BOARD LEFT
2	86	1	1	YA00000820		BLECHSCHRAUBE	ST5x16	SELF-TAPPING SCREW
2	87	1	1	YA00000910		DISTANZRING	16	SPACER RING
2	88	1	1	YA00000935		MESSERHALTER		BLADE SUPPORT
2	89	1	1	YA00000747		SICHELMESSER	41cm	BLADE
2	90	1	1	YA00000891		DRUCKSCHEIBE	8	CLAMP WASHER
2	91	1	1	YA00000827		MESSERSCHRAUBE	M8x25	HEX. BOLT



EM410, ELM4120

3

Grasfangkorb, Räder
Grass catcher, wheels

Seite / Page	Pos.	EM410	ELM4120	Teil-Nr. Part No.	Hinweise Notes	Bezeichnung	Spezifikation Specification	Description
3	92	2	2	YA00000925		RADKAPPE	7"	WHEEL CAP
3	93	2	2	652023843		SICHERUNGSMUTTER	M8	SELF-LOCKING NUT
3	94	2	2	YA00000420		SCHEIBE		WASHER
3	95	2	2	YA00000926		RAD	8"	WHEEL
3	96	1	1	YA00000927		HINTERACHSE		REAR AXLE
3	97	2	2	YA00000811		FIXIERUNG		AXLE RETAINER
3	98	4	4	YA00000820		BLECHSCHRAUBE	ST5x16	SELF-TAPPING SCREW
3	99	1	1	YA00000843		STUFENBOLZEN	M6x16	STEPPED HEX. BOLT
3	100	1	1	YA00000820		BLECHSCHRAUBE	ST5x16	SELF-TAPPING SCREW
3	101	1	1	YA00000845		SCHEIBE	5	WASHER
3	102	1	1	YA00000903		ZUGFEDER	11	TENSION SPRING
3	103	1	1	YA00000627		SICHERUNGSMUTTER	M6	SELF-LOCKING NUT
3	104	1	1	YA00000949		VERBINDUNGSSTANGE		CONNECTING ROD
3	105	1	1	YA00000906		HEBEL F. HÖHENVERSTELLUNG		HIGHT ADJUST LEVER
3	106	1	1	YA00000907		SPIRALFEDER	8	TORSION SPRING
3	107	1	1	YA00000851		FEDERSTECKER	7	R-PIN
3	108	2	2	YA00000952		RADKAPPE	5"	WHEEL CAP
3	109	2	2	652023843		SICHERUNGSMUTTER	M8	SELF-LOCKING NUT
3	110	2	2	YA00000420		SCHEIBE		WASHER
3	111	2	2	YA00000953		RAD	6"	WHEEL
3	112	1	1	YA00000954		VORDERACHSE		FRONT AXLE
3	113	2	2	YA00000909		SCHEIBE		AXLE RETAINER WASHER
3	114	2	2	YA00000820		BLECHSCHRAUBE	ST5x16	SELF-TAPPING SCREW
3	115	1	1	YA00000627		SICHERUNGSMUTTER	M6	SELF-LOCKING NUT
3	116	1	1	YA00000843		STUFENBOLZEN	M6x16	STEPPED HEX. BOLT
3	117	1		YA00000916		GRASFANGKORB KPL.	45L DOLMAR INC. 118-125	GRASS BOX ASSY
3	117		1	YA00000915		GRASFANGKORB KPL.	45L Makita INC. 118-125	GRASS BOX ASSY
3	118	1		YA00000918		GRASFANGKORB	DOLMAR	GRASS CATCH SIDE CLOSS SET DOL
3	118		1	YA00000917		GRASFANGKORB	Makita	GRASS CATCH SIDE CLOSS SET MAK
3	119	1		YA00000792		FÜLLSTANDSANZEIGER	Red	GRASS CATCHER INDICATOR RED
3	119		1	YA00000791		FÜLLSTANDSANZEIGER	Blue	GRASS CATCHER INDICATOR BLUE
3	120	1	1	YA00000919		HECKKLAPPE		GRASS CATCHER UPPER BORAD
3	121	1	1	YA00000795		GRIFF		GRIP
3	122	2	2	YA00000794		BLECHSCHRAUBE	ST4x14	SELF-TAPPING SCREW
3	123	1	1	YA00000920		RAHMEN		GRASS CATCHER FRAME
3	124	4	4	YA00000796		SCHEIBE	4	WASHER
3	125	4	4	YA00000794		BLECHSCHRAUBE	ST4x14	SELF-TAPPING SCREW
3	126	1	1	YA00000798		RINGSCHLÜSSEL	SW10-13	SPANNER

EM410, ELM4120



- 1** Führungsholm, Deck
Handle, deck
- 2** Motor
Motor
- 3** Grasfangkorb, Räder
Grass catcher, wheels

	Zeichenerklärung	Key to symbols
=> 1999999 2000000 => 2003.04 => TI 2003/07 Acc. = { m Corr.	Produktion bis Serien-Nr. Neues Teil ab Serien-Nr. Neues Teil ab Jahr / Monat Siehe Technische Information Jahr / Nr. Zubehör (nicht im Lieferumfang) Keine Serienausführung, jedoch verwendbar Beinhaltet Positions-Nr. Meterware Druckfehlerberichtigung	Production to serial number New part from serial number New part from Year / Month See Technical Information Year / No. Accessories (not included in the delivery inventory) No standard execution, may be used Contains item number Sold by the meter Error correction
	Änderungen vorbehalten	Specifications subject to change without notice