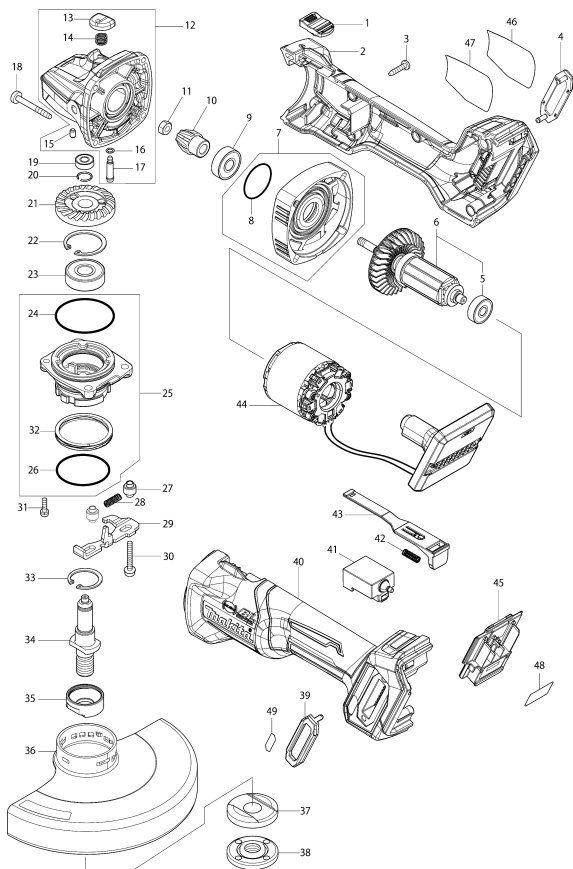


Model No.GA035G 150MM CORDLESS ANGLE GRINDER



Model No.GA035G 150MM CORDLESS ANGLE GRINDER

| Position | Artikel-Nr. | Beschreibung | I/C | Stk. | New/Old | Opt. 1 | Opt. 2 | Hinweis |
|----------|-------------|----------------------------|-----|------|---------|--------|--------|---------|
| 001 | 455447-7 | Schaltknopf | | 1 | | | | |
| 002 | 183N63-6 | Motorgehäuse-Set | | 1 | | | | |
| C10 | 263005-3 | Gummistift 6 | | 2 | | | | |
| D10 | | INC. 40 | | | | | | |
| 003 | 266326-2 | Schneidschraube 4x18 | | 5 | | | | |
| 004 | 422563-0 | Schmutzgitter | | 1 | | | | |
| 005 | 210023-2 | Rillenkugellager 627DDW | | 1 | | | | |
| 006 | 519595-7 | Anker kpl. | | 1 | | | | |
| D10 | | INC. 5 | | | | | | |
| 007 | 136190-4 | Getriebegehäusedeckel kpl. | | 1 | | | | |
| D10 | | INC. 8 | | | | | | |
| 008 | 213445-5 | O-Ring 26 | | 1 | | | | |
| 009 | 210042-8 | Rillenkugellager 629LLB | | 1 | | | | |
| 010 | 226976-5 | Kegelrad 10 | | 1 | | | | |
| 011 | 252186-8 | Sechskantmutter M6 | | 1 | | | | |
| 012 | 136198-8 | Getriebegehäuse kpl. | | 1 | | | | |
| D10 | | INC. 13-17 | | | | | | |
| 013 | 412234-7 | Kunststoffkappe | | 1 | | | | |
| 014 | 233072-2 | Druckfeder 8 | | 1 | | | | |
| 015 | 263002-9 | Gummistift 4 | | 1 | | | | |
| 016 | 213960-9 | O-Ring 5 | | 1 | | | | |
| 017 | 256546-6 | Stift 4 | | 1 | | | | |
| 018 | 266048-4 | Blechschrabe 4x40 | | 4 | | | | |
| 019 | 210033-9 | Rillenkugellager 696ZZ | | 1 | | | | |
| 020 | 233950-6 | Sprengling 11 | | 1 | | | | |
| 021 | 226862-0 | Tellerrad 37 | | 1 | | | | |
| 022 | 962151-6 | Sicherungsring R-32 | | 1 | | | | |
| 023 | 211129-9 | Rillenkugellager 6201DDW | | 1 | | | | |
| 024 | 213622-9 | O-Ring 45 | | 1 | | | | |
| 025 | 136347-7 | Lagerschild | | 1 | | | | |
| D10 | | INC. 24,26,32 | | | | | | |
| 026 | 213510-0 | O-Ring 36 | | 1 | | | | |
| 027 | 327322-6 | Hülse 4 | | 2 | | | | |
| 028 | 232490-1 | Druckfeder 4 | | 1 | | | | |
| 029 | 347803-4 | Hebel | | 1 | | | | |
| 030 | 911159-7 | Kombi-Schraube M4x30 | | 2 | | | | |
| 031 | 911138-5 | Kombi-Schraube M4x20 | | 2 | | | | |
| 032 | 232542-8 | Druckfeder 41 | | 1 | | | | |
| 033 | 962105-3 | Sicherungsring R-26 | | 1 | | | | |
| 034 | 326672-6 | Spindel | | 1 | | | | |
| 035 | 310514-4 | Spindelführungshülse | | 1 | | | | |
| 036 | 347776-1 | Schutzhaube 150mm | | 1 | | | | |

Please order the parts with part number.

Print Date 16/11/2020

Model No.GA035G 150MM CORDLESS ANGLE GRINDER

| Position | Artikel-Nr. | Beschreibung | I/C | Stk. | New/Old | Opt. 1 | Opt. 2 | Hinweis |
|----------|-------------|--------------------------|-----|------|---------|--------|--------|---------|
| 037 | 224447-6 | Aufnahmeflansch 42B | | 1 | | | | |
| 038 | 224554-5 | Flanschmutter | | 1 | | | | |
| 039 | 422563-0 | Schmutzgitter | | 1 | | | | |
| 040 | 183N63-6 | Motorgehäuse-Set | | 1 | | | | |
| C10 | 263005-3 | Gummistift 6 | | 2 | | | | |
| D10 | | INC. 2 | | | | | | |
| 041 | 651445-1 | Schalter FPM-1130 | | 1 | | | | |
| 042 | 233121-5 | Druckfeder 4 | | 1 | | | | |
| 043 | 412233-9 | Schalthebel | | 1 | | | | |
| 044 | 629458-0 | Feld kpl. | | 1 | | | | |
| 045 | 632P65-6 | Kontaktplatte | | 1 | | | | |
| 046 | 8008U5-3 | Schutzfolie | | 1 | | | | |
| 047 | 857V40-9 | Typenschild GA035G | | 1 | | | | |
| 048 | 857V45-9 | Serien-Nr.-Schild GA035G | | 1 | | | | |
| 049 | 8007R2-2 | Aufkleber XGT-Logo | | 1 | | | | |
| A01 | 158237-4 | Seitengriff 36 kpl. | | 1 | | | | |
| A02 | A-80846 | Schruppscheibe 150mm | | 1 | | | | |
| A03 | 782423-1 | Stirnlochschlüssel 35mm | | 1 | | | | |

Please order the parts with part number.

Print Date 16/11/2020