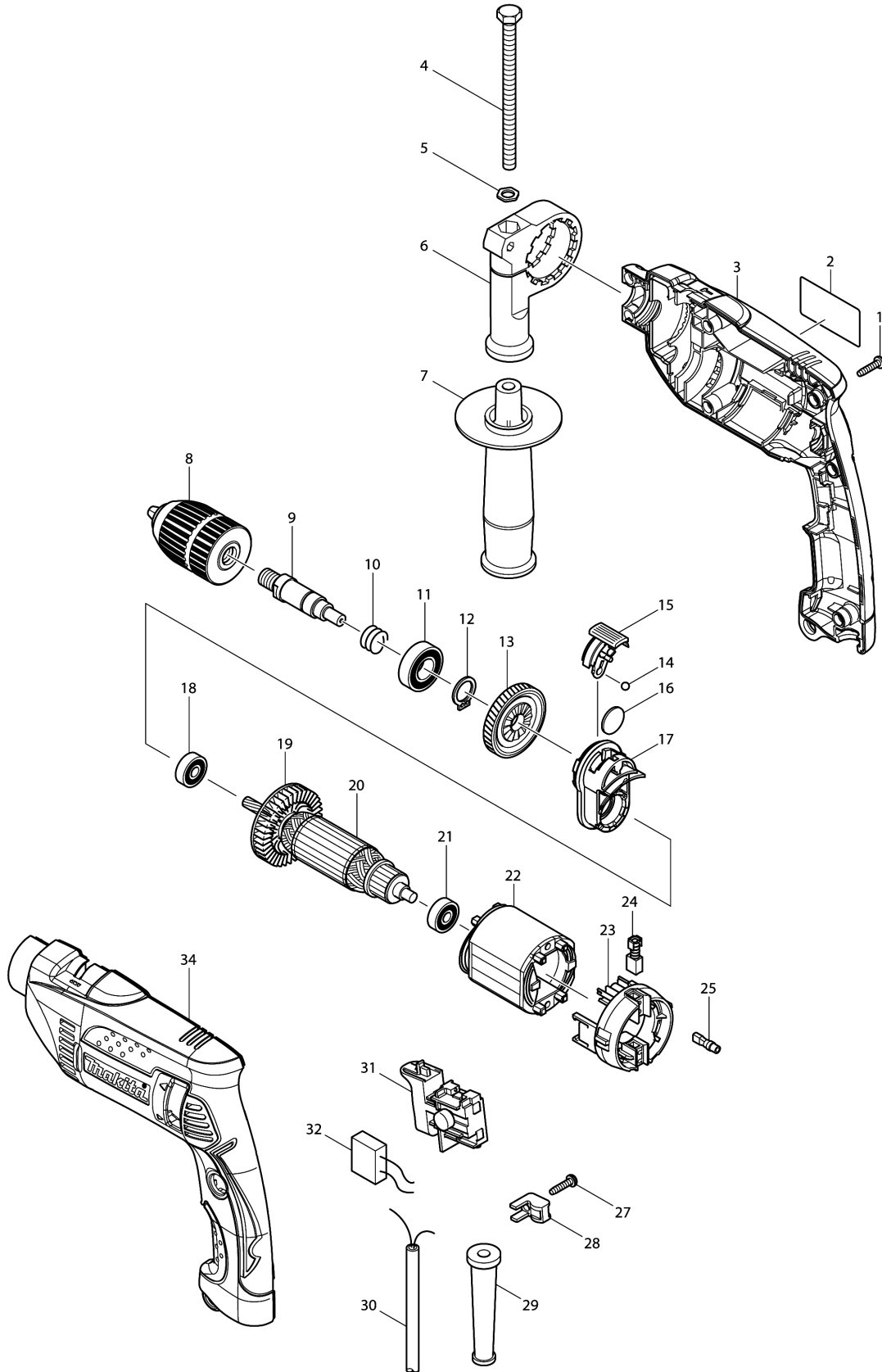


Model No.HP1641 HAMMER DRILL 16MM



Model No.HP1641 HAMMER DRILL 16MM

Position	Artikel-Nr.	Beschreibung	I/C	Stk.	New/Old	Opt. 1	Opt. 2	Hinweis
001	265995-6	TAPPING SCREW 4X18		7				
002	866006-6	HP1641 NAME PLATE		1				
003	188611-2	HOUSING SET		1				
C10	345399-9	PLATE		2				
D10		INC. 34						
004	265583-9	HEX. BOLT M8X120		1				
005	345280-4	HEX. WASHER		1				
006	417630-4	GRIP BASE		1				
007	152489-9	GRIP 36 COMPLETE		1				
008-1	196193-0	KEYLESS DRILL CHUCK		1	*			
008-2	196564-1	KEYLESS DRILL CHUCK	O	1	*			
008-3	196193-0	KEYLESS DRILL CHUCK	<	1				
009	324397-6	SPINDLE		1				
010	233389-3	COMPRESSION SPRING 15		1				
011	211201-7	BALL BEARING 6002LLB		1				
012	961055-9	RETAINING RING S-15		1				
013	226579-5	HELICAL GEAR 45		1				
014	216018-3	STEEL BALL 5.0		1				
015	418319-7	CHANGE LEVER		1				
016	345354-1	PLATE 19		1				
017-1	141165-0	CAM HOLDER COMPLETE		1				
018	210023-2	BALL BEARING 627DDW		1				
019	240067-8	FAN 55		1				
020	517458-1	ARMATURE ASS'Y 220-240V		1				
D10		INC. 18,19,21						
021	211028-5	BALL BEARING 627LB		1				
022	633568-7	FIELD 220-240V		1				
023	638237-5	BRUSH HOLDER UNIT		1				
024	191962-4	CARBON BRUSH CB-419		1				
025	686038-5	RECEPTACLE SLEEVE		2				
027	265995-6	TAPPING SCREW 4X18		1				
028	687260-7	STRAIN RELIEF		1				
029	682502-4	CORD GUARD 8-85		1				
030	665383-1	POWER SUPPLY CORD 1.0-2-2.0		1				
031	650570-5	SWITCH TG843TB-2		1				
032-1	645267-9	NOISE SUPPRESSOR		1				
034	188611-2	HOUSING SET		1				
C10	345399-9	PLATE		2				
D10		INC. 3						
A01	324219-0	DEPTH GAUGE		1				
A02	821549-5	CONNECTOR PLASTIC CASE (TYPE1)		1				

Model No.HP1641 HAMMER DRILL 16MM

Position	Artikel-Nr.	Beschreibung	I/C	Stk.	New/Old	Opt. 1	Opt. 2	Hinweis
C10	453974-8	LATCH		4				
A03	837666-1	INNER TRAY		1	*			
A03-1	838038-3	INNER TRAY	<	1				
A04	801C94-4	HP1641J INDICATION LABEL		1				
A05	801C95-2	HP1641J PLASTIC CASE LABEL		2				

Please order the parts with part number.

Print Date 7/9/2020