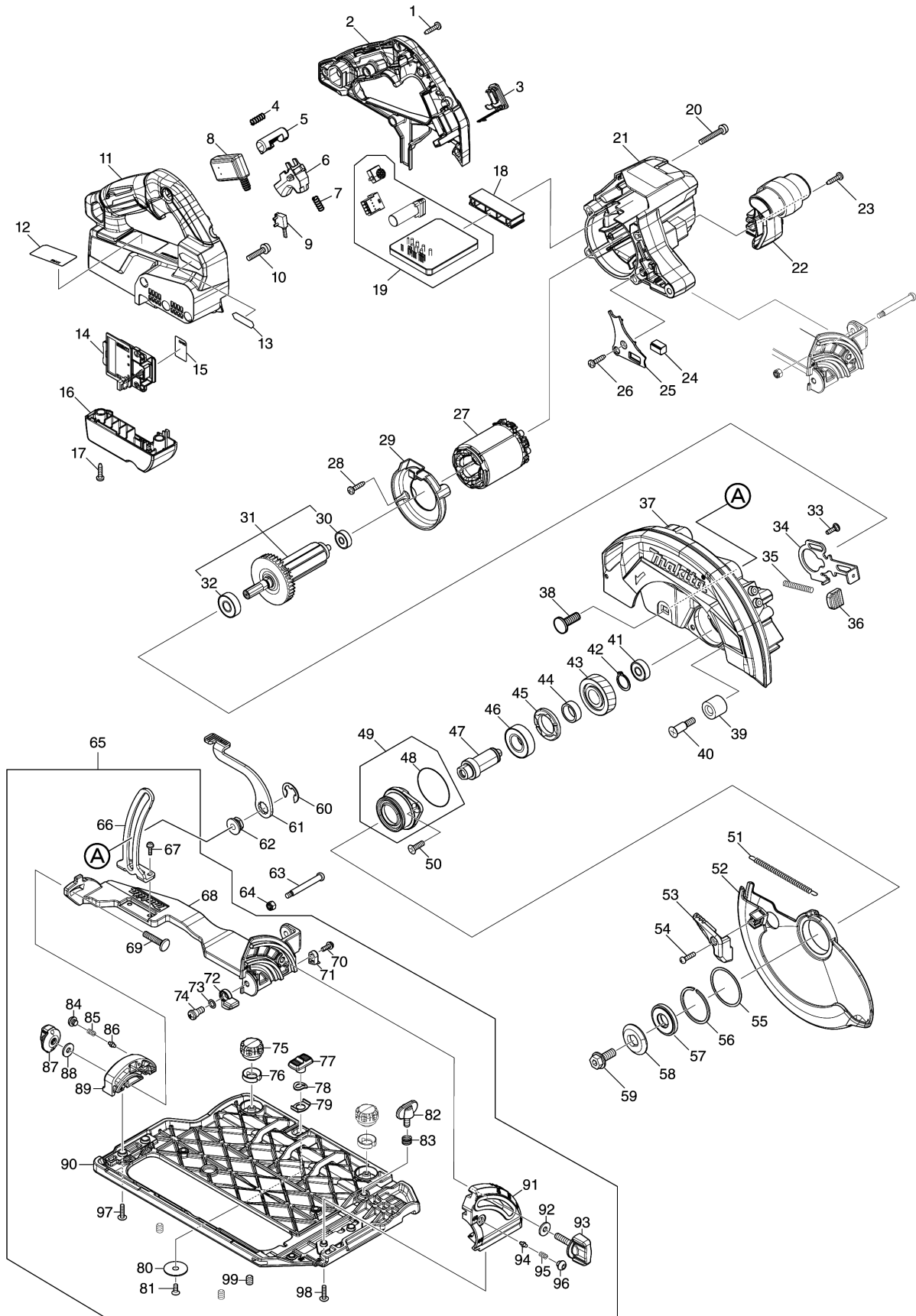


Model No.HS004G 185MM CORDLESS CIRCULAR SAW



Model No.HS004G 185MM CORDLESS CIRCULAR SAW

| Position | Artikel-Nr. | Beschreibung | I/C | Stk. | New/Old | Opt. 1 | Opt. 2 | Hinweis |
|----------|-------------|---------------------------|-----|------|---------|--------|--------|---------|
| 001 | 266326-2 | TAPPING SCREW 4X18 | | 6 | | | | |
| 002 | 183R15-1 | HANDLE SET | | 1 | | | | |
| C10 | 263005-3 | RUBBER PIN 6 | | 1 | | | | |
| D10 | | INC. 11 | | | | | | |
| 003 | 140F99-0 | CAP COMPLETE | | 1 | | | | |
| C10 | 213218-6 | O RING 16 | | 1 | | | | |
| C20 | 818H07-8 | CAP LABEL | | 1 | | | | |
| 004 | 231433-0 | COMPRESSION SPRING 4 | | 1 | | | | |
| 005 | 419704-7 | LOCK OFF BUTTON | | 1 | | | | |
| 006 | 458594-3 | SWITCH LEVER | | 1 | | | | |
| 007 | 231433-0 | COMPRESSION SPRING 4 | | 1 | | | | |
| 008 | 651083-9 | SWITCH C3XA-1PSPM | | 1 | | | | |
| 009 | 632M92-5 | SWITCH UNIT | | 1 | | | | |
| 010 | 911243-8 | PAN HEAD SCREW M5X25 | | 3 | | | | |
| 011 | 183R15-1 | HANDLE SET | | 1 | | | | |
| C10 | 263005-3 | RUBBER PIN 6 | | 1 | | | | |
| D10 | | INC. 2 | | | | | | |
| 012 | 857E51-2 | HS004G NAME PLATE | | 1 | | | | |
| 013 | 8012U4-2 | XGT LOGO LABEL | | 1 | | | | |
| 014 | 632P65-6 | TERMINAL UNIT | | 1 | | | | |
| 015 | 857E58-8 | HS004G SERIAL NO. LABEL | | 1 | | | | |
| 016 | 140S46-9 | TERMINAL HOUSING COMPLETE | | 1 | | | | |
| C10 | 263005-3 | RUBBER PIN 6 | | 1 | | | | |
| 017 | 266326-2 | TAPPING SCREW 4X18 | | 2 | | | | |
| 018 | 412480-2 | SPACER | | 1 | | | | |
| 019 | 620D01-2 | CONTROLLER | | 1 | | | | |
| 020 | 911258-5 | PAN HEAD SCREW M5X35 | | 4 | | | | |
| 021 | 458746-6 | MOTOR HOUSING | | 1 | | | | |
| 022 | 458750-5 | FRONT GRIP | | 1 | | | | |
| 023 | 266326-2 | TAPPING SCREW 4X18 | | 1 | | | | |
| 024 | 620936-3 | LED CIRCUIT | | 1 | | | | |
| 025 | 458751-3 | LIGHT COVER | | 1 | | | | |
| 026 | 266326-2 | TAPPING SCREW 4X18 | | 1 | | | | |
| 027 | 629479-2 | STATOR | | 1 | | | | |
| 028 | 266326-2 | TAPPING SCREW 4X18 | | 2 | | | | |
| 029 | 458749-0 | BAFFLE PLATE | | 1 | | | | |
| 030 | 210022-4 | BALL BEARING 626DDW | | 1 | | | | |
| 031 | 519534-7 | ROTOR ASSY | | 1 | | | | |
| D10 | | INC. 30,32 | | | | | | |
| 032 | 210059-1 | BALL BEARING 6000DDW | | 1 | | | | |
| 033 | 251529-1 | + PAN HEAD SCREW M4X14 | | 1 | | | | |
| 034 | 347676-5 | SHAFT LOCK | | 1 | | | | |

Please order the parts with part number.

Print Date 2/9/2020

Model No.HS004G 185MM CORDLESS CIRCULAR SAW

| Position | Artikel-Nr. | Beschreibung | I/C | Stk. | New/Old | Opt. 1 | Opt. 2 | Hinweis |
|----------|-------------|--------------------------------|-----|------|---------|--------|--------|---------|
| 035 | 233084-5 | COMPRESSION SPRING 6 | | 1 | | | | |
| 036 | 286039-9 | CAP | | 1 | | | | |
| 037 | 140S42-7 | BLADE CASE COMPLETE | | 1 | | | | |
| C10 | 213434-0 | O RING 26 | | 1 | | | | |
| C20 | 263005-3 | RUBBER PIN 6 | | 1 | | | | |
| C30 | 818C45-0 | SCALE LABEL | | 1 | | | | |
| 038 | 266396-1 | FLATHEAD SQUARENECKBOLT M8X24 | | 1 | | | | |
| 039 | 262185-2 | RUBBER SLEEVE8 | | 1 | | | | |
| 040 | 251572-0 | + COUNTERSUNK HEAD SCREW M6X30 | | 1 | | | | |
| 041 | 210029-0 | BALL BEARING 608ZZ | | 1 | | | | |
| 042 | 961057-5 | RETAINING RING S-17 | | 1 | | | | |
| 043 | 226838-7 | HELICAL GEAR 37 | | 1 | | | | |
| 044 | 257451-0 | RING 17 | | 1 | | | | |
| 045 | 285809-3 | BEARING RETAINER 23-36 | | 1 | | | | |
| 046 | 210301-0 | BALL BEARING 6003DDW | | 1 | | | | |
| 047 | 327192-3 | SPINDLE | | 1 | | | | |
| 048 | 213565-5 | O RING 42 | | 1 | | | | |
| 049 | 136021-7 | BEARING BOX ASSY | | 1 | | | | |
| D10 | | INC. 48 | | | | | | |
| 050 | 265034-2 | + COUNTERSUNK HEAD SCREW M5X16 | | 2 | | | | |
| 051 | 232467-6 | TENSION SPRING 4 | | 1 | | | | |
| 052 | 319970-5 | SAFETY COVER | | 1 | | | | |
| 053 | 271450-8 | LEVER 37 | | 1 | | | | |
| 054 | 265178-8 | PAN HEAD SCREW M4X16 | | 1 | | | | |
| 055 | 267337-0 | FLAT WASHER 40 | | 1 | | | | |
| 056 | 257452-8 | RETAINING RING (EXT) WR-40 | | 1 | | | | |
| 057 | 224593-5 | INNER FLANGE 35 | | 1 | | | | |
| 058 | 224409-4 | OUTER FLANGE 35 | | 1 | | | | |
| 059 | 266283-4 | HEX. SOCKET HEX. BOLT M8X20 | | 1 | | | | |
| 060 | 257953-6 | BOW STOP RING E-12 | | 1 | | | | |
| 061 | 271460-5 | LEVER 90 | | 1 | | | | |
| 062 | 252262-8 | COLLERED HEX. NUT M8 | | 1 | | | | |
| 063 | 265118-6 | + PAN HEAD SCREW M5 | | 1 | | | | |
| 064 | 252103-8 | HEX. LOCK NUT M5-8 | | 1 | | | | |
| 065 | 136280-3 | BASE ASSY | | 1 | | | | |
| D10 | | INC. 66-99 | | | | | | |
| 066 | 347532-9 | DEPTH GUIDE | | 1 | | | | |
| 067 | 911516-9 | PAN HEAD SCREW M4X12 | | 2 | | | | |
| 068 | 319975-5 | FRAME | | 1 | | | | |
| 069 | 251920-3 | CAP SQUARE NECK BOLT M6X30 | | 1 | | | | |

Model No.HS004G 185MM CORDLESS CIRCULAR SAW

| Position | Artikel-Nr. | Beschreibung | I/C | Stk. | New/Old | Opt. 1 | Opt. 2 | Hinweis |
|----------|-------------|--------------------------------|-----|------|---------|--------|--------|---------|
| 070 | 911118-1 | PAN HEAD SCREW M4X12 | | 1 | | | | |
| 071 | 419632-6 | POSITION PLATE | | 1 | | | | |
| 072 | 319978-9 | STOPPER | | 1 | | | | |
| 073 | 213026-5 | O RING 7 | | 1 | | | | |
| 074 | 251267-5 | + PAN HEAD SCREW M6 | | 1 | | | | |
| 075 | 265775-0 | THUMB SCREW M4X3 | | 2 | | | | |
| 076 | 419627-9 | HOLDER | | 2 | | | | |
| 077 | 458092-7 | SLIDE LEVER | | 1 | | | | |
| 078 | 253932-2 | WAVE WASHER 10 | | 1 | | | | |
| 079 | 345977-5 | PLATE | | 1 | | | | |
| 080 | 345748-0 | LOCK WASHER | | 1 | | | | |
| 081 | 912112-6 | COUNTERSUNK HEAD SCREW M4X10 | | 1 | | | | |
| 082 | 265701-9 | THUMB SCREW M6X14 | | 1 | | | | |
| 083 | 233376-2 | COMPRESSION SPRING 8 | | 1 | | | | |
| 084 | 266559-9 | H.S.BUTTON HEAD BOLT M6X4 | | 1 | | | | |
| 085 | 231234-6 | COMPRESSION SPRING 3.5 | | 1 | | | | |
| 086 | 263041-9 | SHOULDER PIN 3-5 | | 1 | | | | |
| 087 | 252270-9 | THUMB NUT M6 | | 1 | | | | |
| 088 | 253111-2 | FLAT WASHER 6 | | 1 | | | | |
| 089 | 319977-1 | REAR ANGULAR PLATE | | 1 | | | | |
| 090 | 319974-7 | BASE | | 1 | | | | |
| 091 | 319976-3 | FRONT ANGULAR PLATE | | 1 | | | | |
| 092 | 253111-2 | FLAT WASHER 6 | | 1 | | | | |
| 093 | 265776-8 | THUMB SCREW M6X26 | | 1 | | | | |
| 094 | 263041-9 | SHOULDER PIN 3-5 | | 1 | | | | |
| 095 | 231234-6 | COMPRESSION SPRING 3.5 | | 1 | | | | |
| 096 | 266559-9 | H.S.BUTTON HEAD BOLT M6X4 | | 1 | | | | |
| 097 | 265174-6 | + TRUSS HEAD SCREW M4X16 | | 2 | | | | |
| 098 | 265174-6 | + TRUSS HEAD SCREW M4X16 | | 2 | | | | |
| 099 | 266225-8 | H.S.SET SCREW(FLAT POINT)M6X8 | | 3 | | | | |
| A01 | 196520-1 | DUST NOZZLE SET | | 1 | | | | |
| A02 | B-64185 | TCT BLADE190X24T WOOD EFFICUT | | 1 | | | | |
| A03 | 783204-6 | HEX. WRENCH 6 | | 1 | | | | |
| A07B | 412393-7 | BATTERY COVER | | 2 | | | | |
| A08B | 191B26-6 | BATTERY BL4040 SET | | 2 | | | | |
| A09B | ***DC40RA | DC40RA FAST CHARGER | | 1 | | | | |
| D10 | | COMPO-PARTS | | | | | | |
| A10B | 821552-6 | CONNECTOR PLASTIC CASE (TYPE4) | | 1 | | | | |
| C10 | 453974-8 | LATCH | | 4 | | | | |

Model No.HS004G 185MM CORDLESS CIRCULAR SAW

| Position | Artikel-Nr. | Beschreibung | I/C | Stk. | New/Old | Opt. 1 | Opt. 2 | Hinweis |
|----------|-------------|-------------------------------|-----|------|---------|--------|--------|---------|
| A11B | 8015M0-2 | HS004GM201 INDICATION LABEL | | 1 | | | | |
| A12B | 8015M1-0 | HS004GM201 PLASTIC CASE LABEL | | 2 | | | | |
| A13B | 835K82-7 | INNER TRAY | | 1 | | | | |
| A14 | 164095-8 | GUIDE RULE | | 1 | | | | |

Please order the parts with part number.

Print Date 2/9/2020