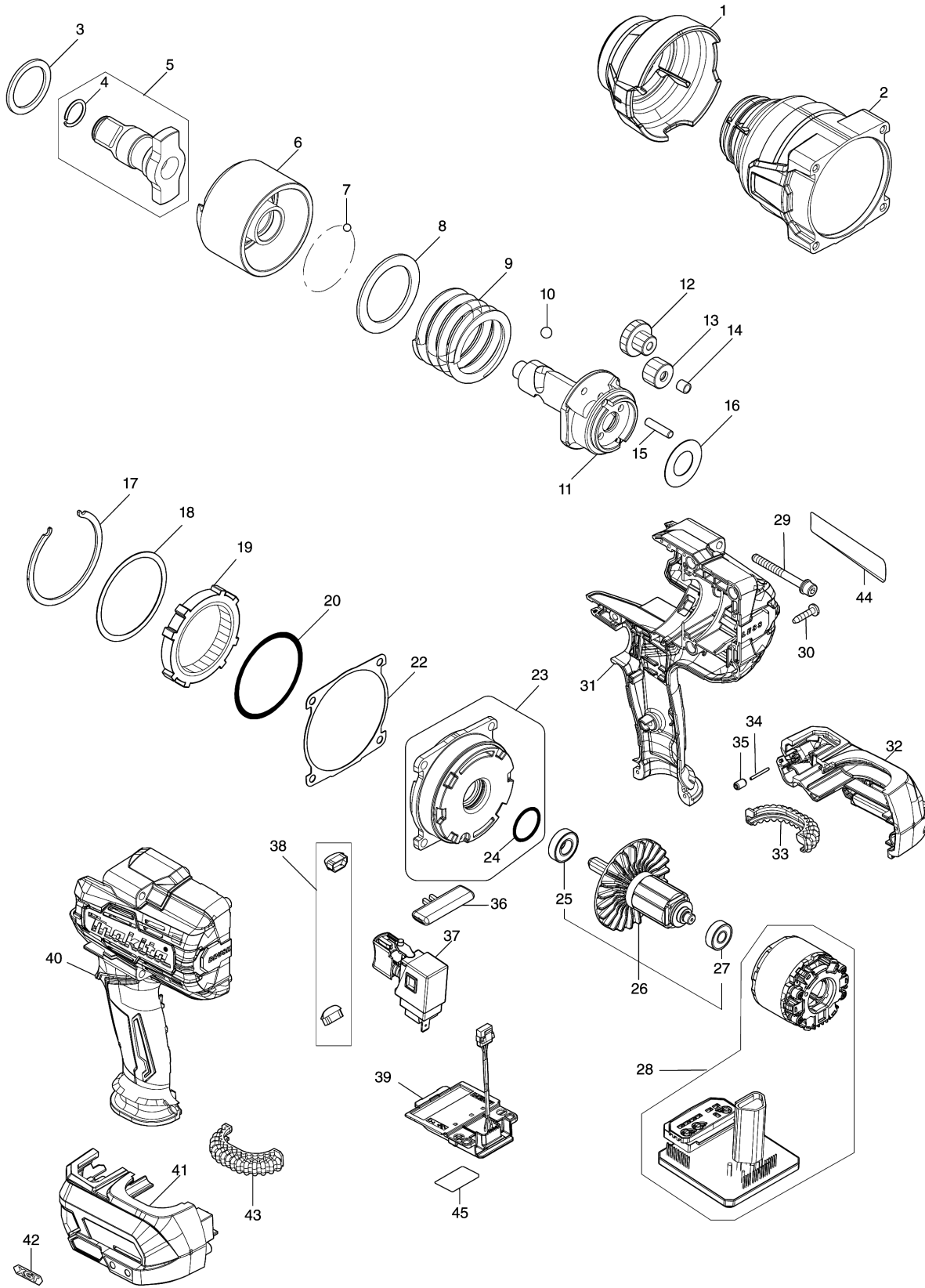


Model No.TW001G CORDLESS IMPACT WRENCH



Model No.TW001G CORDLESS IMPACT WRENCH

Position	Artikel-Nr.	Beschreibung	I/C	Stk.	New/Old	Opt. 1	Opt. 2	Hinweis
001	422594-9	BUMPER		1				
002	140T99-4	HAMMER CASE COMPLETE		1				
003	267250-2	FLAT WASHER 30		1				
004	232334-5	RING SPRING 16		1				
005	136249-7	ANVIL E ASS'Y		1				
D10		INC. 4						
006	327595-1	HAMMER		1				
007	216002-8	STEEL BALL 4.8		30				
008	253478-8	FLAT WASHER 41		1				
009	232623-8	COMPRESSION SPRING 41		1				
010	216009-4	STEEL BALL 7.1		2				
011	327594-3	SPINDLE		1				
012	226990-1	SPUR GEAR 11-22		2				
013	226989-6	SPUR GEAR 15		2				
014	257539-6	SLEEVE 5		2				
015	268238-5	PIN 5		4				
016	267235-8	FLAT WASHER 18		1				
017	346947-7	RETAINER		1				
018	253479-6	FLAT WASHER 57		1				
019	226991-9	INTERNAL SPUR GEAR 50		1				
020	213663-5	O RING 55		1				
022	422595-7	GASKET		1				
023	136279-8	INTERNAL GEAR CASE ASS'Y		1				
D10		INC. 24						
024	213961-7	O RING 22		1				
025	210069-8	BALL BEARING 6900DDW		1				
026	519630-1	ROTOR ASSY		1				
D10		INC. 25,27						
027	211022-7	BALL BEARING 607ZZ		1				
028	629A16-8	STATOR UNIT		1				
C10	8012S9-8	SWITCH LABEL		1				
029	265B38-6	H. S. HEAD BOLT M5X50 WITH WRM		4				
030	266326-2	TAPPING SCREW 4X18		9				
031	183P61-2	HOUSING SET		1				
D10		INC. 40						
032	183P62-0	BATTERY HOUSING SET		1				
C10	263005-3	RUBBER PIN 6		2				
C20	252126-6	HEX. LOCK NUT M4-7		4				
D10		INC. 41						
033	424773-5	CUSHION RUBBER		1				

Model No.TW001G CORDLESS IMPACT WRENCH

Position	Artikel-Nr.	Beschreibung	I/C	Stk.	New/Old	Opt. 1	Opt. 2	Hinweis
034	268284-8	PIN 1.5		1	*			
035	263036-2	RUBBER PIN 5		1	*			
036	456268-0	F/R CHANGE LEVER		1				
037	140U03-9	SWITCH COMPLETE		1				
C10	424774-3	SWITCH COVER		1				
038	620D09-6	LED CIRCUIT		1				
039	632P49-4	TERMINAL UNIT		1				
040	183P61-2	HOUSING SET		1				
D10		INC. 31						
041	183P62-0	BATTERY HOUSING SET		1				
C10	263005-3	RUBBER PIN 6		2				
C20	252126-6	HEX. LOCK NUT M4-7		4				
D10		INC. 32						
042	8005T5-8	XGT LOGO LABEL		1				
043	424773-5	CUSHION RUBBER		1				
044	857G20-5	TW001G NAME PLATE		1				
045	857G27-1	TW001G SERIAL NO. LABEL		1				
A01	251314-2	+ SCREW M4X12		2				
A02	346949-3	HOOK		1				
A03B	412393-7	BATTERY COVER		2				
A04B	***DC40RA	DC40RA FAST CHARGER		1				
D10		COMPO-PARTS						
A05B	191B26-6	BATTERY BL4040 SET		2				
A06B	821551-8	CONNECTOR PLASTIC CASE (TYPE3)		1				
C10	453974-8	LATCH		4				
A07B	835K85-1	INNER TRAY		1				

Please order the parts with part number.

Print Date 17/6/2020