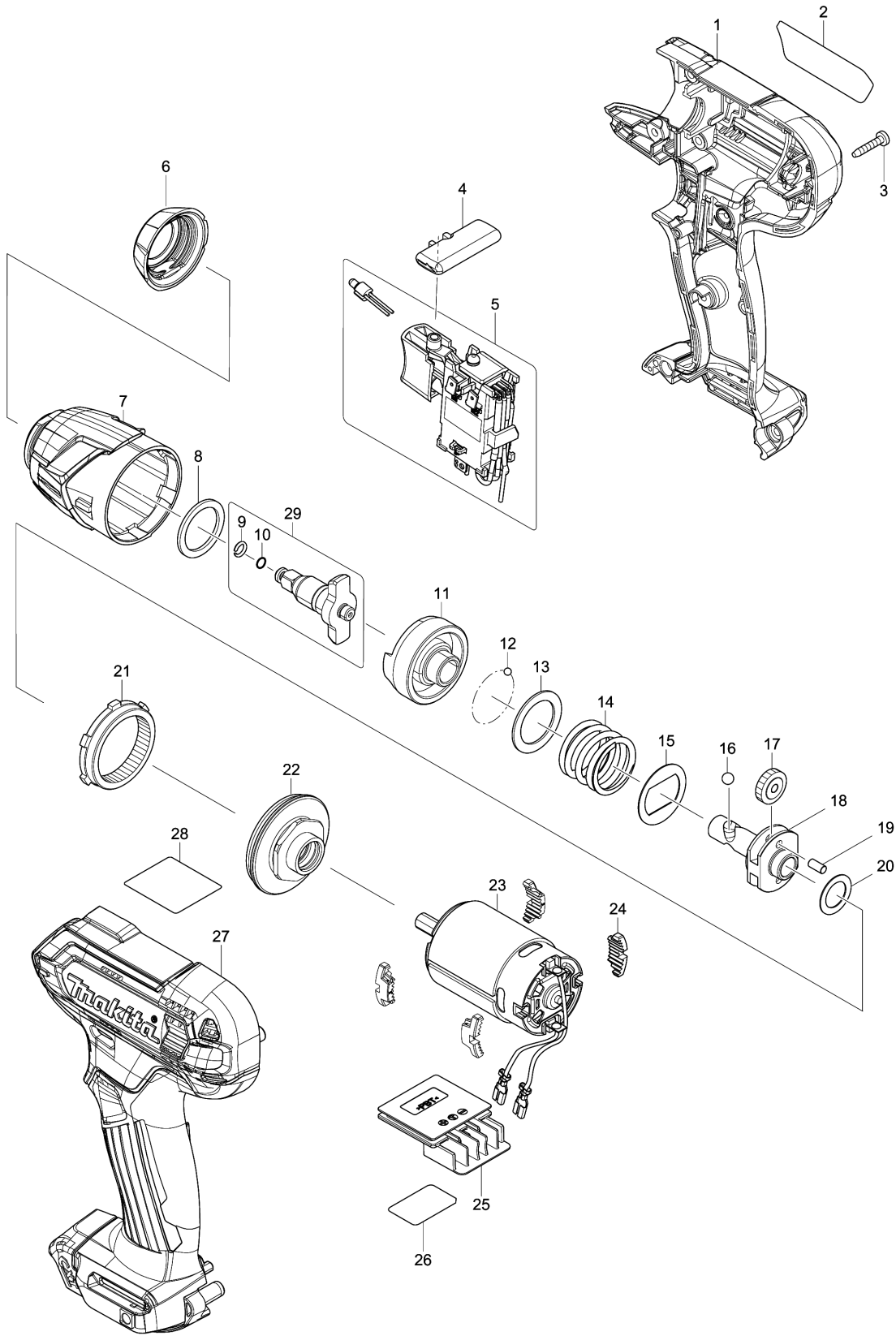


Model No.TW060D CORDLESS IMPACT WRENCH



Model No.TW060D CORDLESS IMPACT WRENCH

Position	Artikel-Nr.	Beschreibung	I/C	Stk.	New/Old	Opt. 1	Opt. 2	Hinweis
001	183J75-5	HOUSING SET		1				
C10	252126-6	HEX. LOCK NUT M4-7		2				
D10		INC. 27						
002	855H72-6	TW060D NAME PLATE		1				
003	266429-2	TAPPING SCREW 3X16		8				
004	456039-5	F/R CHANGE LEVER		1				
005	632M05-6	SWITCH UNIT		1				
C10	688165-4	LINE FILTER		1				
C20	620625-0	LED CIRCUIT		1				
006	422228-4	BUMPER		1				
007	140B03-5	HAMMER CASE COMPLETE		1				
C10	213166-9	O RING 12.5		1				
008	261140-1	NYLON WASHER 20		1				
009	259065-1	RING SPRING 5		1				
010	213014-2	O RING 3		1				
011	327236-9	HAMMER		1				
012	216019-1	STEEL BALL 3		24				
013	267380-9	FLAT WASHER 20		1				
014	234064-4	COMPRESSION SPRING 21		1				
015	267813-4	WASHER 21		1				
016	216002-8	STEEL BALL 4.8		2				
017	226190-3	SPUR GEAR 18		2				
018	327127-4	SPINDLE		1				
019	268217-3	PIN 3.5		2				
020	253052-2	FLAT WASHER 12		1				
021	226191-1	INTERNAL GEAR 45		1				
022	140B04-3	BEARING BOX COMPLETE		1				
C10	213188-9	O-RING 13		1				
023	632L97-9	MOTOR COMPLETE		1				
C10	688172-7	LINE FILTER		1				
024	422273-9	CUSHION		4				
025	644813-5	TERMINAL		1				
026	855H78-4	TW060D SERIAL NO. LABEL		1				
027	183J75-5	HOUSING SET		1				
C10	252126-6	HEX. LOCK NUT M4-7		2				
D10		INC. 1						
029	136038-0	ANVIL ASS'Y		1				
D10		INC. 9,10						
A01	266622-8	+ TRUSS HEAD SCREW M4X12		1				
A02	346909-5	HOOK		1				
A03B	821661-1	PLASTIC CARRYING CASE		1				
C10	417724-5	LATCH		2				

Model No.TW060D CORDLESS IMPACT WRENCH

Position	Artikel-Nr.	Beschreibung	I/C	Stk.	New/Old	Opt. 1	Opt. 2	Hinweis
A03C	821661-1	PLASTIC CARRYING CASE		1				
C10	417724-5	LATCH		2				
A04B	***DC10WD	DC10WD BATTERY CHARGER		1				
D10		COMPO-PARTS						
A04C	***DC10WD	DC10WD BATTERY CHARGER		1				
D10		COMPO-PARTS						
A05B	197396-9	BATTERY BL1021B SET		2	*			
A05C	197406-2	BATTERY BL1041B SET		2	*			
A05-1B	197396-9	BATTERY BL1021B SET	O	2				
A05-1C	197406-2	BATTERY BL1041B SET	O	2				
A06B	456128-6	BATTERY COVER		1				
A06C	456128-6	BATTERY COVER		1				

Please order the parts with part number.

Print Date 2/9/2020