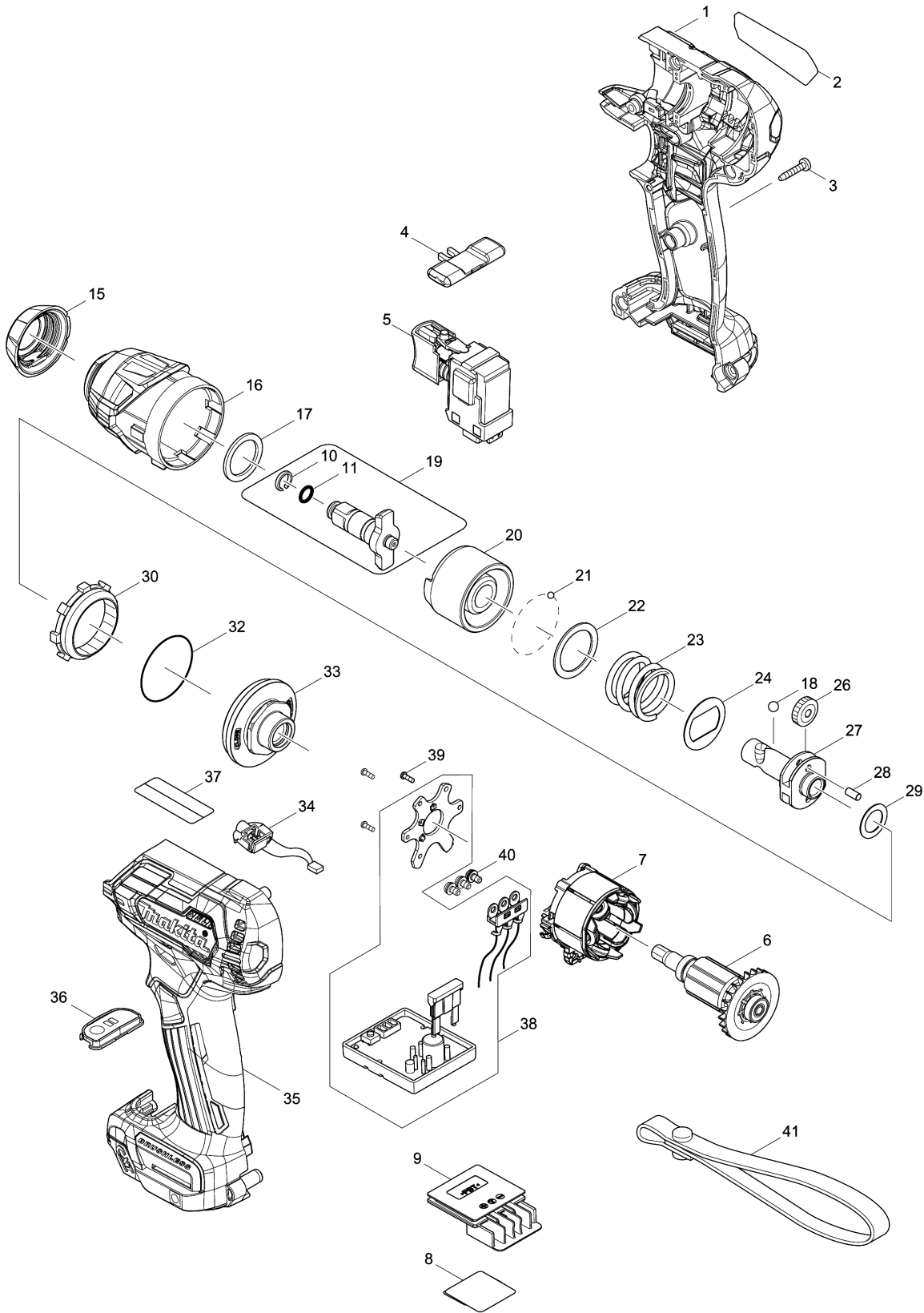


Model No.TW160D CORDLESS IMPACT WRENCH



Model No.TW160D CORDLESS IMPACT WRENCH

Position	Artikel-Nr.	Beschreibung	I/C	Stk.	New/Old	Opt. 1	Opt. 2	Hinweis
001	183L31-7	HOUSING SET		1				
C10	263002-9	RUBBER PIN 4		2				
C20	252126-6	HEX. LOCK NUT M4-7		2				
D10		INC. 35						
002	855L57-6	TW160D NAME PLATE		1				
003	266429-2	TAPPING SCREW 3X16		9				
004	455053-8	F/R CHANGE LEVER		1				
005	143975-1	SWITCH COMPLETE		1				
C10	424890-1	SWITCH COVER		1				
006	619491-0	ROTOR		1	*			
006-1	619491-0	ROTOR	O	1				
007	629398-2	STATOR		1				
008	855L63-1	TW160D SERIAL NO. LABEL		1				
009	644813-5	TERMINAL		1				
010	233943-3	RING SPRING 8		1				
011	213960-9	O RING 5		1				
015	422228-4	BUMPER		1				
016	140G53-0	HAMMER CASE COMPLETE		1				
C10	213166-9	O RING 12.5		1				
017	261159-0	NYLON WASHER 19		1				
018	216002-8	STEEL BALL 4.8		2				
019	135932-3	ANVIL ASS'Y		1				
D10		INC. 10,11						
020	327045-6	HAMMER		1				
021	216019-1	STEEL BALL 3		24				
022	267352-4	FLAT WASHER 22		1				
023	232410-5	COMPRESSION SPRING 21		1				
024	267813-4	WASHER 21		1				
026	227213-0	SPUR GEAR 17		2				
027	327046-4	SPINDLE		1				
028	268217-3	PIN 3.5		2				
029	253052-2	FLAT WASHER 12		1				
030	227316-0	INTERNAL GEAR 43		1				
032	213479-8	O RING 33		1				
033	140G75-0	BEARING BOX COMPLETE		1				
C10	213845-9	O-RING 13		1				
034	620999-9	LED CIRCUIT		1				
035	183L31-7	HOUSING SET		1				
C10	263002-9	RUBBER PIN 4		2				
C20	252126-6	HEX. LOCK NUT M4-7		2				
D10		INC. 1						
036	140G52-2	SWITCH PLATE COMPLETE		1				

Model No.TW160D CORDLESS IMPACT WRENCH

Position	Artikel-Nr.	Beschreibung	I/C	Stk.	New/Old	Opt. 1	Opt. 2	Hinweis
038	620998-1	CONTROLLER		1				
039	266490-9	TAPPING SCREW PT 2X6		3				
040	652069-6	FLAT HEAD SCREW M3X6		3				
A01	266622-8	+ TRUSS HEAD SCREW M4X12		1				
A02	346909-5	HOOK		1				
A03B	821661-1	PLASTIC CARRYING CASE		1				
C10	417724-5	LATCH		2				
A07B	***DC10SB	DC10SB BATTERY CHARGER		1				
D10		COMPO-PARTS						
A08B	197396-9	BATTERY BL1021B SET		2	*			
A08-1B	197396-9	BATTERY BL1021B SET	O	2				
A09B	456128-6	BATTERY COVER		1				

Please order the parts with part number.

Print Date 2/9/2020