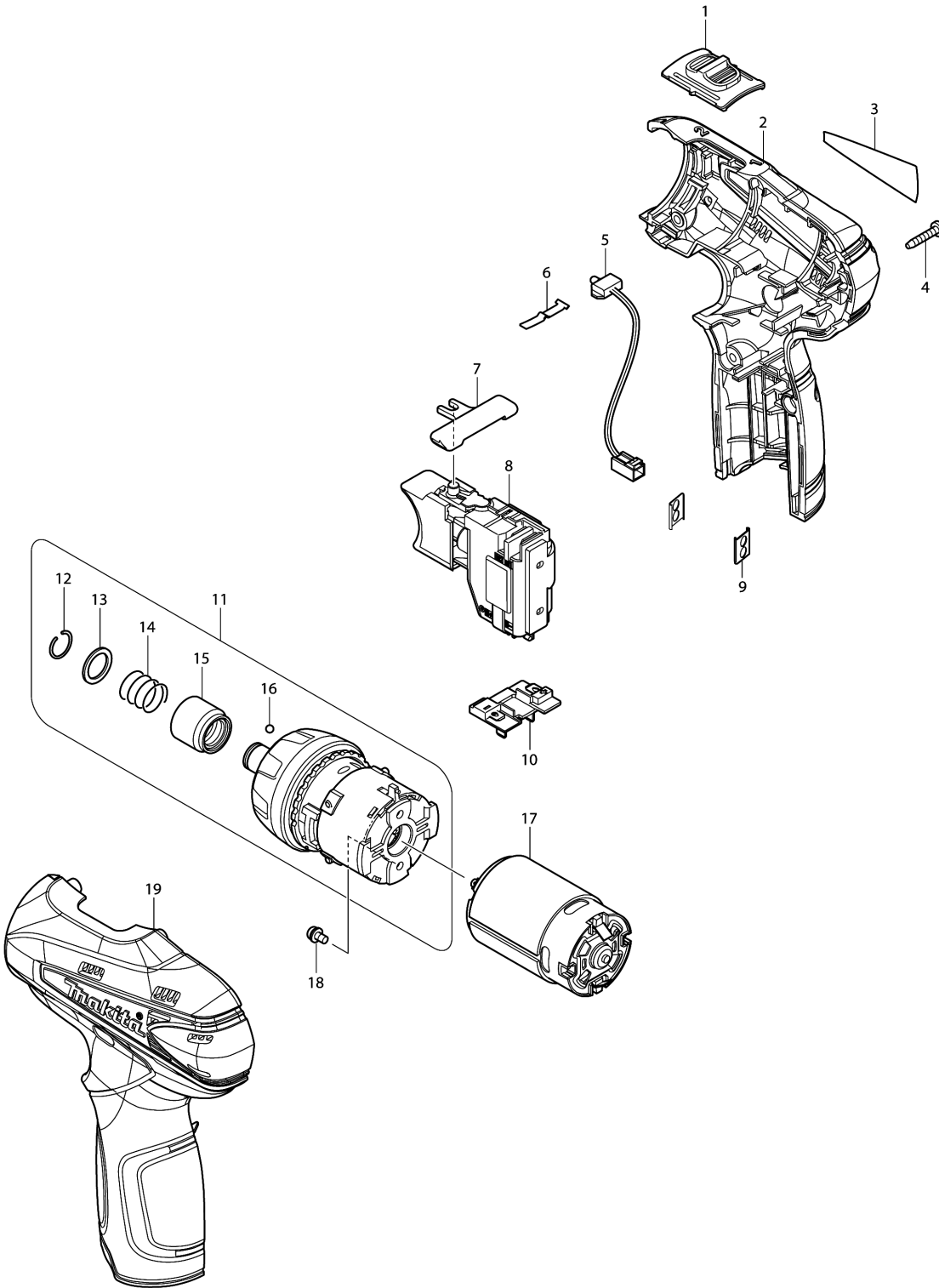


Model No.DF030D CORDLESS DRIVER DRILL



Model No.DF030D CORDLESS DRIVER DRILL

Position	Artikel-Nr.	Beschreibung	I/C	Stk.	New/Old	Opt. 1	Opt. 2	Hinweis
001A	125461-4	SPEED CHANGE LEVER ASSEMBLY		1	*			
C10	231433-0	COMPRESSION SPRING 4		2	*			
001B	125461-4	SPEED CHANGE LEVER ASSEMBLY		1	*			
C10	231433-0	COMPRESSION SPRING 4		2	*			
001-1A	126233-0	SPEED CHANGE LEVER ASSEMBLY	<	1				
C10	231433-0	COMPRESSION SPRING 4		2				
001-1B	126233-0	SPEED CHANGE LEVER ASSEMBLY	<	1				
C10	231433-0	COMPRESSION SPRING 4		2				
001-1C	126233-0	SPEED CHANGE LEVER ASSEMBLY		1				
C10	231433-0	COMPRESSION SPRING 4		2				
002A	188498-2	HOUSING SET		1	*			
D10		INC. 19			*			
002B	188498-2	HOUSING SET		1	*			
D10		INC. 19			*			
002-1A	187147-8	HOUSING SET	X	1	*			
D10		INC. 19			*			
002-1B	187147-8	HOUSING SET	X	1	*			
D10		INC. 19			*			
002-2A	187359-3	HOUSING SET	O	1				
D10		INC. 19						
002-2B	187359-3	HOUSING SET	O	1				
D10		INC. 19						
002-2C	187359-3	HOUSING SET		1				
D10		INC. 19						
003	865041-1	DF030D NAME PLATE		1				
004	266130-9	TAPPING SCREW BIND PT 3X16		6				
005A	631813-4	LED CIRCUIT		1	*			
005B	631813-4	LED CIRCUIT		1	*			
006	232239-9	LEAF SPRING		1				
007	450504-6	F/R CHANGE LEVER		1				
008A	650599-1	SWITCH C3HY-1A-LM		1	*			
008B	650599-1	SWITCH C3HY-1A-LM		1	*			
008-1A	650645-0	SWITCH C3HY-1A-LF1M	<	1	*			
008-1B	650645-0	SWITCH C3HY-1A-LF1M	<	1	*			
008-2A	650699-7	SWITCH C3HW-3A-LF1M	X	1				
008-2B	650699-7	SWITCH C3HW-3A-LF1M	X	1				
008-2C	650699-7	SWITCH C3HW-3A-LF1M		1				
009	345998-7	SET PLATE		2				
010	643830-2	TERMINAL		1				
011	125459-1	GEAR ASSEMBLY		1	*			

Please order the parts with part number.

Print Date 9/9/2020

Model No.DF030D CORDLESS DRIVER DRILL

Position	Artikel-Nr.	Beschreibung	I/C	Stk.	New/Old	Opt. 1	Opt. 2	Hinweis
D10		INC. 12-16			*			
011-1	123504-6	GEAR ASS'Y	O	1				
D10		INC. 12-16						
012	231965-7	RING SPRING 10		1				
013	267143-3	FLAT WASHER 11		1				
014	233005-7	COMPRESSION SPRING 13		1				
015	324919-2	BIT SLEEVE		1				
016	216019-1	STEEL BALL 3		2				
017	629853-4	DC MOTOR		1				
018	911003-8	PAN HEAD SCREW M3X6		2				
019A	188498-2	HOUSING SET		1	*			
D10		INC. 2			*			
019B	188498-2	HOUSING SET		1	*			
D10		INC. 2			*			
019-1A	187147-8	HOUSING SET	X	1	*			
D10		INC. 2			*			
019-1B	187147-8	HOUSING SET	X	1	*			
D10		INC. 2			*			
019-2A	187359-3	HOUSING SET	O	1				
D10		INC. 2						
019-2B	187359-3	HOUSING SET	O	1				
D10		INC. 2						
019-2C	187359-3	HOUSING SET		1				
D10		INC. 2						
020	533020-4	LEAD ASS'Y		1				
021	533019-9	LEAD ASS'Y		1				
A01A	168467-9	HOLSTER		1				
A01C	168467-9	HOLSTER		1				
A02A	***DC10WA	DC10WA BATTERY CHARGER		1				
A02C	***DC10WA	DC10WA BATTERY CHARGER		1				
A03A	194550-6	BATTERY BL1013 SET		2	*			
A03C	194550-6	BATTERY BL1013 SET		2	*			
A03-1A	196066-7	BATTERY BL1013 SET	O	2				
A03-1C	196066-7	BATTERY BL1013 SET	O	2				
A04	784244-7	+ BIT 2-50		1				
A05A	824781-0	PLASTIC CASE		1				
A05C	824781-0	PLASTIC CASE		1				
A06A	824842-6	PLASTIC CARRYING CASE		1	*			
C10	417724-5	LATCH		2	*			
A06C	821549-5	CONNECTOR PLASTIC CASE (TYPE1)		1	*			
C10	453974-8	LATCH		4	*			

Model No.DF030D CORDLESS DRIVER DRILL

Position	Artikel-Nr.	Beschreibung	I/C	Stk.	New/Old	Opt. 1	Opt. 2	Hinweis
A06-1A	141104-0	PLASTIC CARRYING CASE COMPLETE	<	1				
C10	417724-5	LATCH		2				
A06-1C	821549-5	CONNECTOR PLASTIC CASE (TYPE1)	<	1				
C10	453974-8	LATCH		4				
A07C	837663-7	INNER TRAY		1	*			
A07-1C	837866-3	INNER TRAY	<	1				
A08C	800X94-7	DF030DWJ INDICATION LABEL		1				
A09C	800X95-5	DF030DWJ PLASTIC CASE LABEL		2				
E01A	638929-6	LINE FILTER UNIT		1				
E01B	638929-6	LINE FILTER UNIT		1				
E01C	638929-6	LINE FILTER UNIT		1				

Please order the parts with part number.

Print Date 9/9/2020