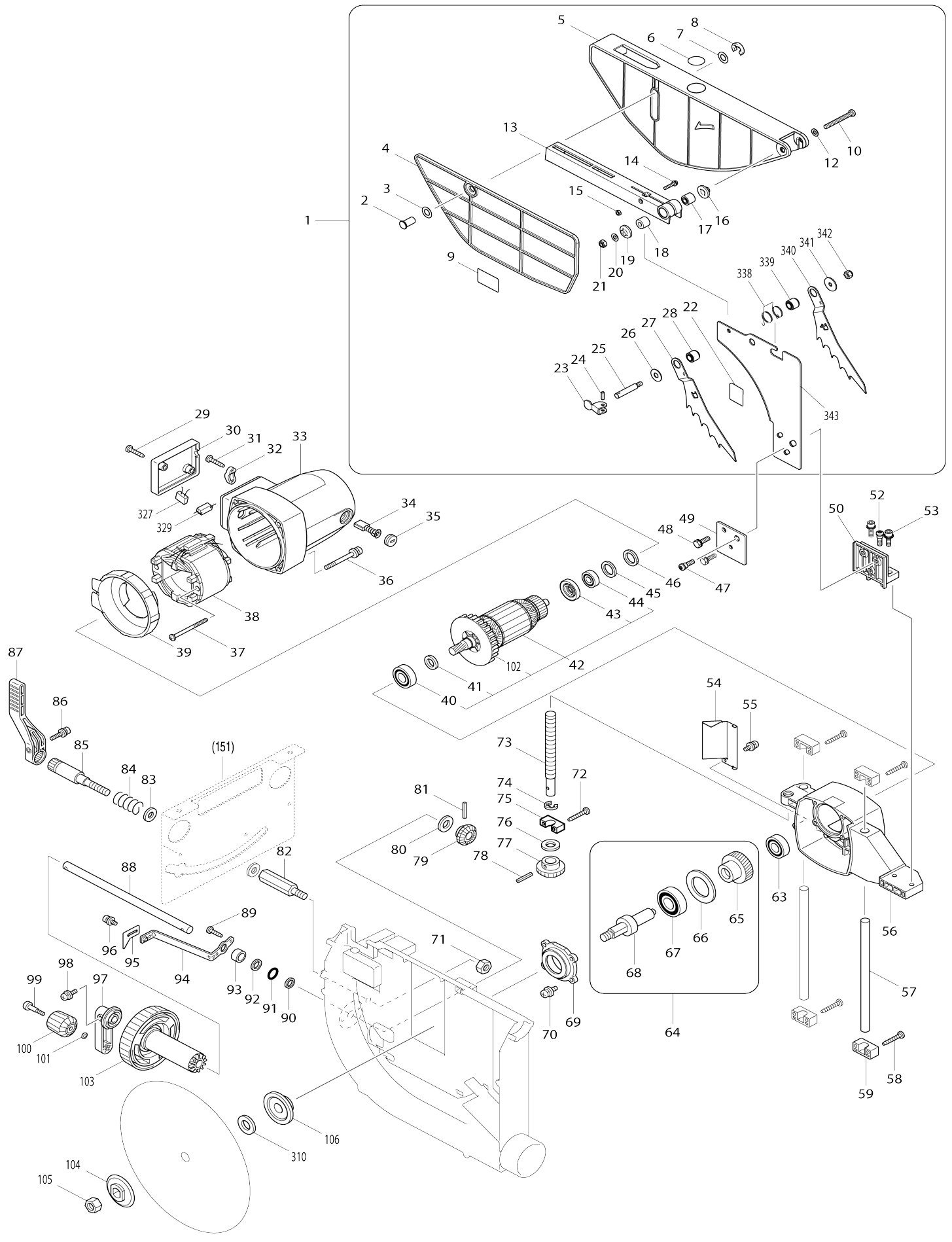
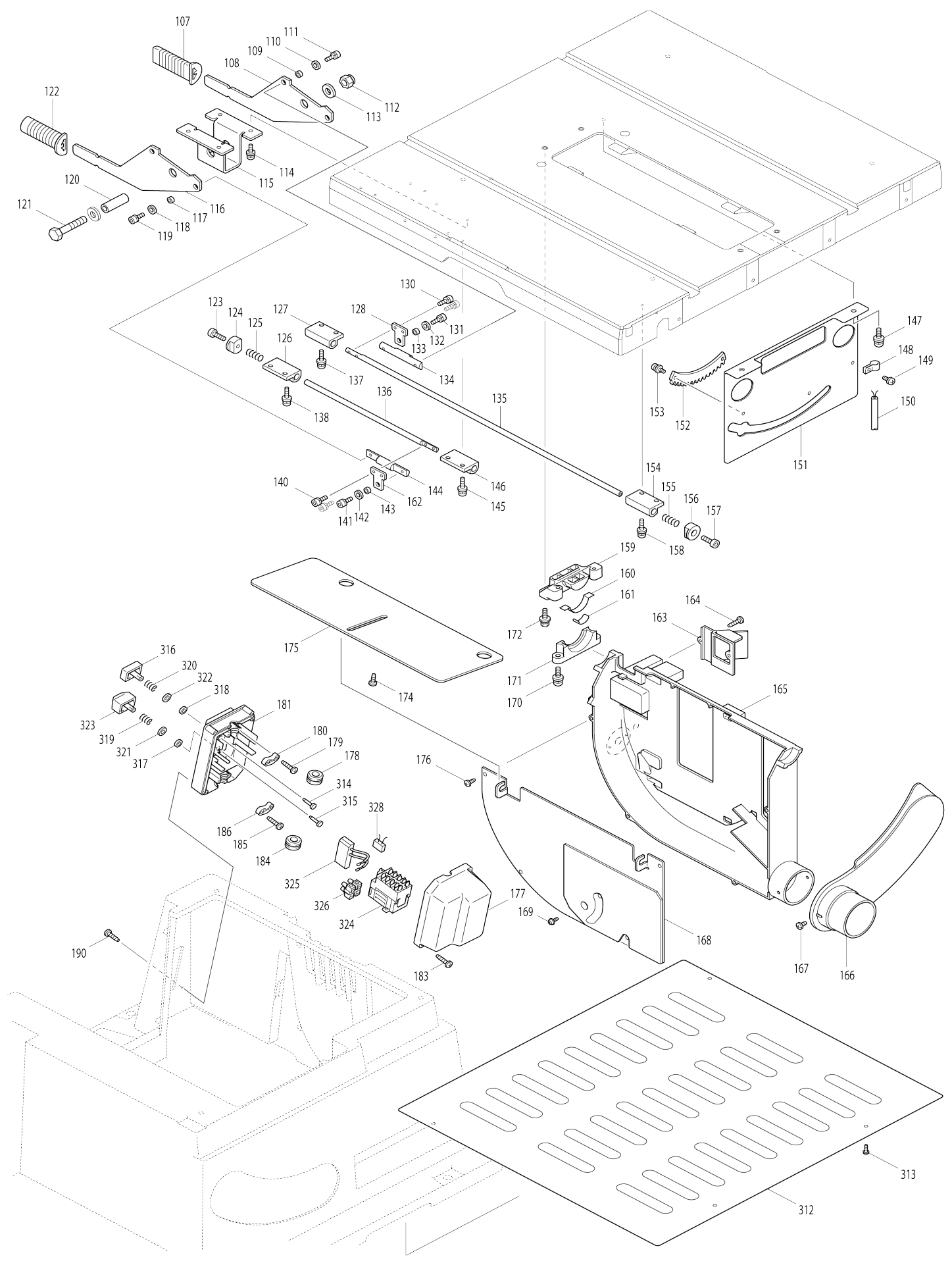


# Model No.2704N 260MM TABLE SAW

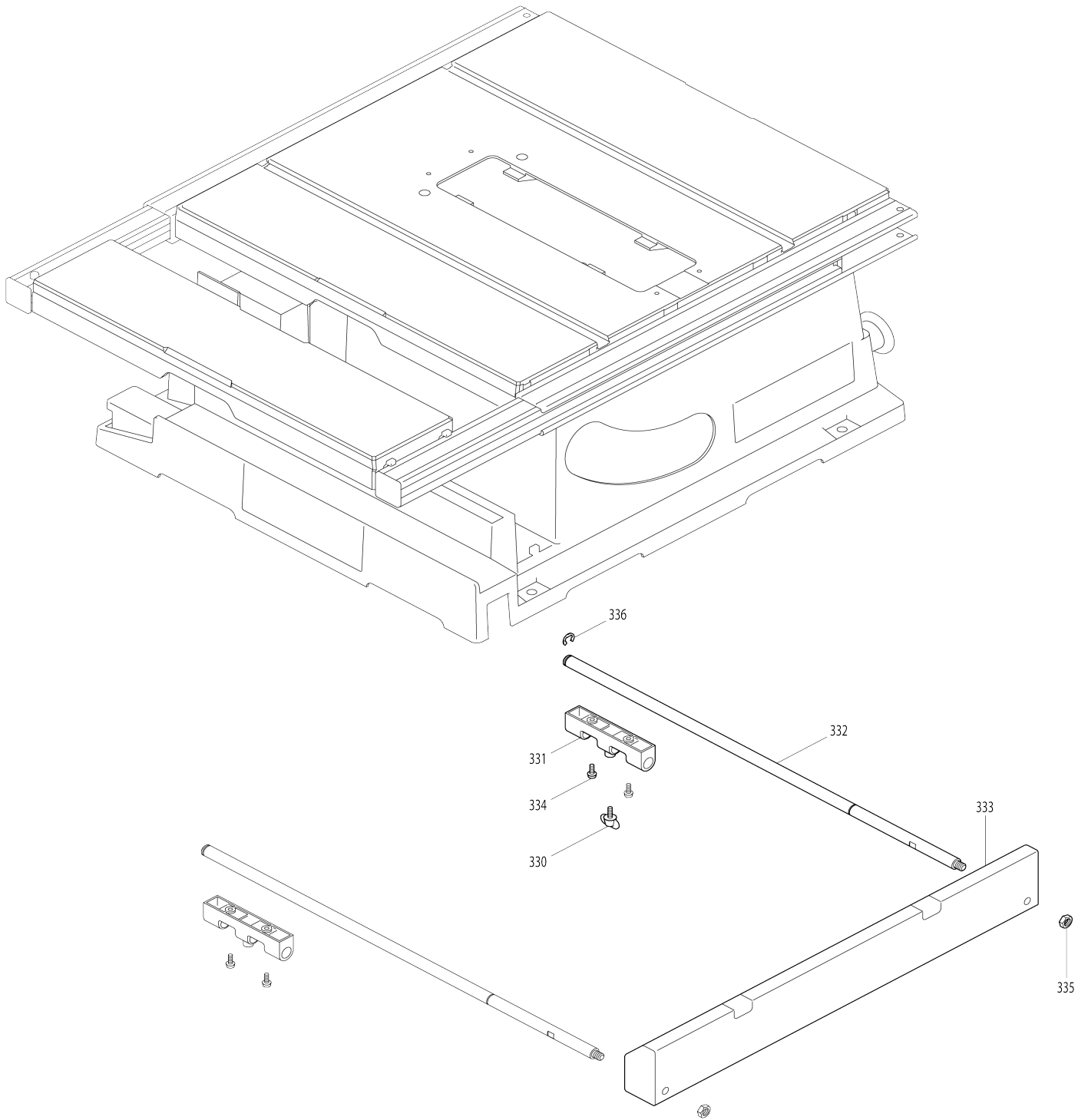


# Model No.2704N 260MM TABLE SAW





Model No.2704N 260MM TABLE SAW



**Model No.2704N 260MM TABLE SAW**

Obj. č.	Obj. č.	Popis	Možn ost zá měny	Množ ství	Nový/ Starý	Poznámka 1	Poznámka 2
001	123998-5	SAFETY GUARD ASSEMBLY		1			
001		INC. 2-10,12-28,338-343					
002	268135-5	SHOULDER PIN 10		1			
003	253758-2	podložka 10		1		podlo	
004	418910-1	SUB COVER		1	*		
004-1	458606-2	SUB COVER	X	1			
005	457741-3	COVER		1			
006	813L22-1	CAUTION LABEL		1			
007	253758-2	podložka 10		1		podlo	
008	961015-1	zajišťovací kroužek E-9		1		zaji	
009	890408-4	CAUTION LABEL		1			
010	251558-4	TORX-PLUS BOLT M6X50		1			
012	941151-9	podložka 6 = old 253047-5		1		podlo	
013	457740-5	TOP GUARD		1			
014	911138-5	P.H.SCREW M4X20 WITH WR		1			
015	931102-0	matka M4		1		matka M4	
016	344533-8	COLLAR		1			
017	326990-2	SLEEVE 6		1			
018	326990-2	SLEEVE 6		1			
019	344533-8	COLLAR		1			
020	941151-9	podložka 6 = old 253047-5		1		podlo	
021	252014-7	samojistící matice M6		1		samojist	
022	817G70-2	INDICATION LABEL		1			
023	345583-6	LOCK LEVER		1		p	
024	951104-0	SPRING PIN 4-12		1			
025	326989-7	LOCK SHAFT		1		areta	
026	253731-2	podložka 8 LC1230		1		podlo	
027	347233-9	FINGER R		1		chr	
028	326991-0	SLEEVE 8		1		pouzdro	
029	265995-6	šroub 4x18 = old 265941-9		2	*		
029-1	265A48-7	TAPPING SCREW 4X18	O	2			
030	416341-8	Cover		1		Cover	
031	265995-6	šroub 4x18 = old 265941-9		2	*		
031-1	265A48-7	TAPPING SCREW 4X18	O	2			
032	687054-0	STRAIN RELIEF		1			
033	154602-5	MOTOR HOUSING COMPLETE		1		obal motoru	
C10	643653-8	BRUSH HOLDER 6.5-13.5		2			
034	181044-0	uhlíky CB-153 = CB-152= old1810 41-6		1	*	uhl	
034-1	194985-1	CARBON BRUSH SET CB-153	O	1		uhl	
035	643650-4	víčko uhlíků		2		v	
036	911383-2	šroub M6x60		4			
037	266029-8	šroub 5x65		2	*		
037-1	266352-1	TAPPING SCREW 5X65	O	2			
038	599546-6	FIELD ASS'Y 220-240V		1		stator=old599511-5	
C10	654020-2	RING TERMINAL F. CB-152,153		2		pru	
C20	654553-7	CONNECTOR 34137		2			
039	416331-1	Baffle Plate		1		deska	

040	211228-7	kulič. ložisko 6202DDW = old 922 117	1		
041	253147-1	Flat Washer 15	1		Flat Washer 15
042	518765-5	ARMATURE ASS'Y 240V	1		rotor 2704
042		INC. 40,41,43,44,102			
043	681640-9	Isolierscheibe	1		Isolierscheibe
044	211088-7	BALL BEARING 6000DDW	1		
045	253198-4	podložka 18 JS3200/2704	1		podlo
046	261129-9	plastová podložka 18 2704	1		plastov
047	251559-2	TORX-PLUS BOLT M6X20	1		
048	921331-3	HEX. BOLT M6X20	2		
049	347235-5	PRESSURE PLATE	1		deska
050	319602-4	KNIFE HOLDER	1		dr
052	251559-2	TORX-PLUS BOLT M6X20	1		
053	922334-0	HEX. SOCKET HEAD BOLT M6X20	2		
054	344536-2	Gear Housing Plate	1		Gear Housing Plate
055	911213-7	šroub M5x12	1		
056	126760-7	GEAR HOUSING COMPLETE	1		obal 2704
C10	263005-3	vymezovací čep 6	1		
057	323736-7	Guide Bar 2702	2		Guide Bar 2702
058	266040-0	šroub CT 4x25	8		
059	416340-0	držák lišty	4		dr
063	211051-0	kuličkové ložisko 609LLB	1		kuli
064	154595-6	SPINDLE COMPLETE	1		
064		INC. 65-68			
065	226602-6	ozubené kolo	1		ozuben
066	267170-0	Flat Washer 34	1		Flat Washer 34
067	211278-2	kulič. ložisko 6203DDW = old B30 130	1		kuli
068	324556-2	SPINDLE	1		
069	316933-2	Bearing Box	1		Bearing Box
070	911233-1	šroub M5x20	4		
071	931502-4	matka M10	1		matka M10
072	266040-0	šroub CT 4x25	2		
073	322968-3	Screw Bar	1		
074	961016-9	zajišťovací kroužek E-10	1		
075	416339-5	Screw Bar Retainer	1		zar
076	941302-4	Flat Washer 12	1		podlo
077	226747-0	Straight Bevel Gear	1		Straight Bevel Gear
078	951116-3	zajišťovací kolík 4x20	1		zaji
079	226747-0	Straight Bevel Gear	1		Straight Bevel Gear
080	941302-4	Flat Washer 12	1		podlo
081	951116-3	zajišťovací kolík 4x20	1		zaji
082	324562-7	konektor 2704	1		konektor 2704
083	253024-7	podložka 10 LS1013	2		podlo
084	231315-6	Compression Spring 14	1		Compression Spring 14
085	322967-5	Lock Lever Shaft	1		z
086	922232-8	imbus M5x20	1		imbus M5x20
087	272248-6	páka 2704	1		p
C10	931202-6	HEX. NUT M5	1		
088	324563-5	HANDLE SHAFT	1		

089	266034-5	šroub = old 933417		2		
090	253143-9	Flat Washer 12		1		Flat Washer 12
091	213107-5	o-kroužek 12		1		o-krou
092	253052-2	podložka 12		1		podlo
093	214114-1	kluzné ložisko		1		kluzn
094	345520-0	STAY		1		
095	344543-5	Pointer		1		Pointer
096	922103-9	Hex. Socket Head Bolt M4		1		
097	271074-0	rukojeť 60 2704		1		rukoje
C10	931202-6	HEX. NUT M5		1		
098	911223-4	šroub M5x16		1		
099	251382-5	šroub 2704		1		
100	271423-1	kolečko regulace 2704		1		kole
101	267010-2	podložka 5		1		podlo
102	240003-4	Fan 80		1		v
103	271073-2	rukojeť 2704		1		rukoje
104	224482-4	OUTER FLANGE 53		1		Outer Flange 53 =old 224347-0
105	252155-9	Hex. Nut M12-19		1		Hex. Nut M12-19
106	224401-0	INNER FLANGE 53		1		p
107	273523-3	GRIP		1		
108	345534-9	HANDLE PLATE		1		
109	257161-9	RING 4		1		
110	941051-3	Flat Washer 4		1		podlo
111	922116-0	HEX. SOCKET HEAD BOLT M4X12		1		
112	252130-5	6-Kantmutter M10-17		1		
113	941251-5	podložka 10 1911B		2		podlo
114	911223-4	šroub M5x16		4		
115	345539-9	HANDLE PLATE HOLDER		1		
116	345534-9	HANDLE PLATE		1		
117	257161-9	RING 4		1		
118	941051-3	Flat Washer 4		1		podlo
119	922116-0	HEX. SOCKET HEAD BOLT M4X12		1		
120	257753-4	SLEEVE 10		1		
121	265536-8	HEX.BOLT M10X60		1		
122	273523-3	GRIP		1		
123	265382-9	HEX. SOCKET HEAD BOLT M5X20		1		
124	324559-6	HOOK RING		1		
125	233229-5	COMPRESSION SPRING 8		1		
126	418655-1	průchodka LS0714/2704		1		pr
127	418655-1	průchodka LS0714/2704		1		pr
128	345535-7	JOINT PLATE		1		
130	922116-0	HEX. SOCKET HEAD BOLT M4X12		2		
131	922116-0	HEX. SOCKET HEAD BOLT M4X12		1		
132	941051-3	Flat Washer 4		1		podlo
133	257161-9	RING 4		1		
134	324675-4	ROD JOINT		1		
135	324673-8	ROD R		1		t
136	324674-6	ROD F		1		ty
137	911128-8	P.H.SCREW M4X16 WITH WR		2		
138	911128-8	P.H.SCREW M4X16 WITH WR		2		
140	922116-0	HEX. SOCKET HEAD BOLT M4X12		2		

141	922116-0	HEX. SOCKET HEAD BOLT M4X12		1		
142	941051-3	Flat Washer 4		1		podlo
143	257161-9	RING 4		1		
144	324675-4	ROD JOINT		1		
145	911128-8	P.H.SCREW M4X16 WITH WR		2		
146	418655-1	průchodka LS0714/2704		1		pr
147	911323-0	šroub M6x16		2		
148	687049-3	Strain Relief		1		Strain Relief
149	251308-7	šroub M4x10		1		
150	664094-5	POWER SUPPLY CORD 1.5-5-0.5		1		
151	345628-0	PLATE		1		
152	416333-7	Rack Plate		1		Rack Plate
153	911213-7	šroub M5x12		2		
154	418655-1	průchodka LS0714/2704		1		pr
155	233229-5	COMPRESSION SPRING 8		1		
156	324559-6	HOOK RING		1		
157	265382-9	HEX. SOCKET HEAD BOLT M5X20		1		
158	911128-8	P.H.SCREW M4X16 WITH WR		2		
159	318020-3	ADJUST BLOCK		1		
160	344529-9	Slide Seat		2		Slide Seat
161	232174-1	Leaf Spring		2		Leaf Spring
162	345535-7	JOINT PLATE		1		
163	416439-1	Dust Guide		1		Dust Guide
164	266034-5	šroub = old 933417		2		
165	318253-0	rám		1		r
166	418917-7	DUST JOINT		1		
167	266061-2	tapping screw bind ct 4x8		2		tapping screw bind ct 4x8
168	154599-8	FRAME COVER COMPLETE		1		
169	911114-9	šroub M4x10=new922111-0		1		
170	911333-7	šroub M6x20		4		
171	416332-9	Frame Retainer		2		frame Retainer
172	265460-5	Hex. Bolt M6x20		2		Hex. Bolt M6x20 270 2 2704 2704N
174	266300-0	TAPPING SCREW 4X18		2		
175	413097-4	SLIDE COVER		1		
176	266035-3	šroub CT5x		4		
177	418918-5	SWITCH BOX		1		pouzdro vyp
178	682511-3	GROMMET		1	*	
178-1	682103-8	GROMMET	<	1		kryt =old 682511-3
179	265995-6	šroub 4x18 = old 265941-9		2	*	
179-1	265A48-7	TAPPING SCREW 4X18	O	2		
180	687054-0	STRAIN RELIEF		1		
181	418912-7	SWITCH BASE		1		deska vyp
183	265995-6	šroub 4x18 = old 265941-9		2	*	
183-1	265A48-7	TAPPING SCREW 4X18	O	2		
184	682511-3	GROMMET		1	*	
184-1	682103-8	GROMMET	<	1		kryt =old 682511-3
185	265995-6	šroub 4x18 = old 265941-9		2	*	
185-1	265A48-7	TAPPING SCREW 4X18	O	2		
186	687052-4	STRAIN RELIEF		1		
190	266192-7	šroub 4 X 14		3	*	



190-1	266385-6	TAPPING SCREW 4X14	O	3		
191	816844-6	INNER SCALE PLATE		1		
192	251308-7	šroub M4x10		1		
193	911253-5	šroub M5x30		2		
194	418908-8	INNER RAIL END		1		
195	922146-1	imbus M4x25		1		imbus M4x25 2704N DTW285=old266915-3
196	154705-5	FRONT OUTER RAIL COMPLETE		1		
C10	816843-8	OUTER SCALE PLATE		1		
199	317877-9	SUB TABLE		1		
200	158952-0	TABLE COMPLETE		1		
201	922126-7	imbus M4x16 = old 924417		1		imbus M4x16 = old 9 24417 STOP
202	158104-3	FRONT INNER RAIL COMPLETE		1		
203	911233-1	šroub M5x20		4		
206	418907-0	OUTER RAIL END		1		
207	265045-7	+ PAN HEAD SCREW M5X18		2		
208	126901-5	CENTER COVER ASSEMBLY		1		kryt 2704
210	213023-1	o-ring 4		1		o-ring 4
211	319717-7	CENTER COVER		1		kryt 2704
212	266264-8	H.S.SET SCREW(FLAT POINT)M5X 6		4		
214	418907-0	OUTER RAIL END		1		
215	911233-1	šroub M5x20		4		
216	317867-2	REAR OUTER RAIL		1		
217	345529-2	RAIL STOPPER		1		
218	251308-7	šroub M4x10		1		
220	922126-7	imbus M4x16 = old 924417		1		imbus M4x16 = old 9 24417 STOP
221	158103-5	REAR INNER RAIL COMPLETE		1		
222	345533-1	BASE FRONT COVER		1		
223	266192-7	šroub 4 X 14		4	*	
223-1	266385-6	TAPPING SCREW 4X14	O	4		
225	911253-5	šroub M5x30		2		
226	922146-1	imbus M4x25		1		imbus M4x25 2704N DTW285=old266915-3
227	418908-8	INNER RAIL END		1		
228	286212-1	gumová zátka 20		4		gumov
229	154608-3	základna 2704		1		z
C10	810107-2	CAUTION LABEL		1		
C20	819176-0	MAKITA LOGO PLATE		3		
230	265995-6	šroub 4x18 = old 265941-9		2	*	
230-1	265A48-7	TAPPING SCREW 4X18	O	2		
231	687052-4	STRAIN RELIEF		1		
232	682516-3	ochranná průchodka 9.3-85		1	*	ochrann
232-1	682504-0	ochranná průchodka 10-85	O	1		ochrann
233	665865-3	kabel		1		
234	931302-2	matka M6		2		matka M6=new25227 3-3
235	271318-8	KNOB 37		2		
236	941151-9	podložka 6 = old 253047-5		2		podlo
237	921342-8	šroub M6x25		2		

238	271320-1	KNOB 37		1		
238		INC. 239				
239	252197-3	HEX.NUT M14		1		matka
240	421926-7	HOLDER		1		
241	931402-8	matka M8 = old 481003		1		
242	253797-2	podložka 14		1		podlo
243	265537-6	HEX.BOLT M14X65		1		
244	921462-8	šroub M8x40		1		
245	854B85-8	2704N NAME PLATE		1		
246	911344-2	šroub M6x25		4		
247	252197-3	HEX.NUT M14		1		matka
310	257262-3	o-kroužek 16 LS/LH/LF,=new257 295-8		1		
311	262559-7	SLEEVE 14		1		
312	345536-5	BASE UNDER COVER		1		
313	266192-7	šroub 4 X 14		4	*	
313-1	266385-6	TAPPING SCREW 4X14	O	4		
314	418618-7	PIN		1		
315	418618-7	PIN		1		
316	418616-1	SWITCH BUTTON ON		1		p
317	443103-1	FELT RING 6		1		krou
318	443103-1	FELT RING 6		1		krou
319	231025-5	pružina =old170213730		1		pru
320	231025-5	pružina =old170213730		1		pru
321	253186-1	podložka 7		1		podlo
322	253186-1	podložka 7		1		podlo
323	418617-9	SWITCH BUTTON OFF		1		p
324	652772-9	relé LH1040		1	*	rel
324-1	652772-9	relé LH1040	O	1	*	rel
324-2	652772-9	relé LH1040	O	1		rel
325	631613-2	elektronika LH1040		1		elektronika LH1040
326	654561-8	TERMINAL BLOCK		1		kontakty
327	645006-7	kondenzátor = old 645105-5		1		kondenz
328	645105-5	kondenzátor = new 645006-7=ne w645200-1		1		
329	646049-2	indukční cívka		1		induk
330	265740-9	šroub 5x15 2704		2		
331	317879-5	SLIDE ROD HOLDER		2		
332	324564-3	táhlo 2704		2		t
333	345537-3	přední stůl		1		p
334	922221-3	imbus M5x16		4		imbus M5x16
335	931502-4	matka M10		2		matka M10
336	961016-9	zajišťovací kroužek E-10		2		
337	911233-1	šroub M5x20		1		
338	232387-4	TORSION SPRING 17		1		pru
339	326991-0	SLEEVE 8		1		pouzdro
340	347232-1	FINGER L		1		chr
341	253010-8	podložka 6 5100BR/2107FK/2704		1		podlo
342	252014-7	samojistící matice M6		1		samojist
343	347234-7	RIVING KNIFE		1		kl
A01	B-17712	pilový kotouč (24Z)260x30 orig 2 704 =ne		1		

A02	419093-0	adaptér		1		
A03	457742-1	PUSH STICK		1		
A04	781038-1	klíč 19		1		
A05	782024-5	klíč 22		1		
A06	783203-8	klíč imbus 5		1		
A07	122734-6	úhlové pravítko 2704/KIT		1	*	
A07		COMPO-PARTS			*	
A07-1	127069-0	ANGLE RULE ASSEMBLY	<	1		
A07-1		COMPO-PARTS				
A08	122739-6	pravítko=new122740-1		1		
A08		COMPO-PARTS				
F01	194086-5	prodloužení stolu vlevo 2704		1		prodlou
F02	194087-3	REAR TABLE SET		1		
F03	194093-8	stůl 2704		1		st

Prosím uveďte objednáací číslo dílu v objednávce

Datum tisku 15. 10. 2024