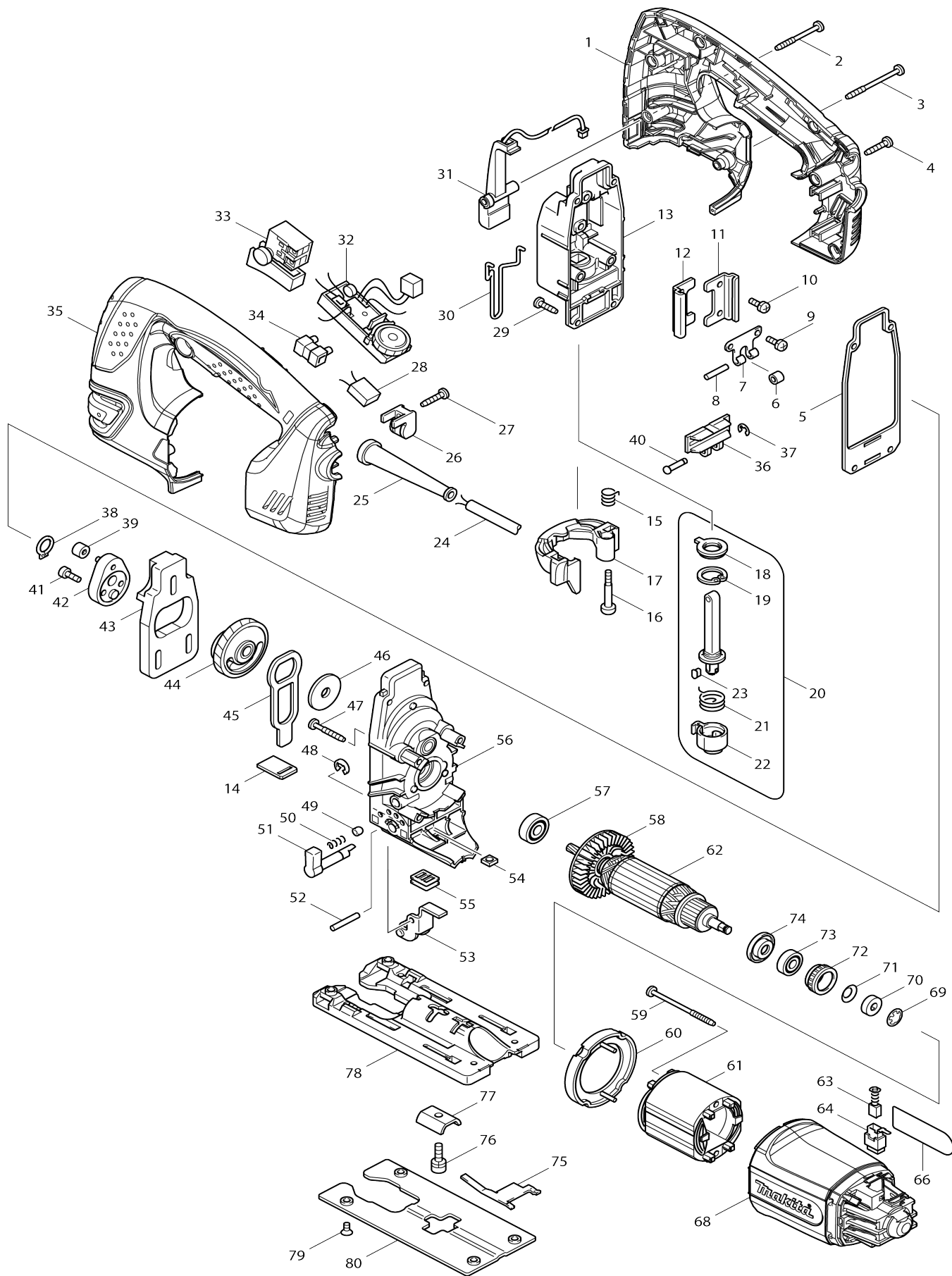


# Model No.4350FCT PŘÍMOČARÁ PILA S PŘEDKYVEM



# Model No.4350FCT PŘÍMOČARÁ PILA S PŘEDKYVEM

| Obj. č. | Obj. č.  | Popis                                   | Možn<br>ost zá<br>měny | Množ<br>ství | Nový/<br>Starý | Poznámka 1   | Poznámka 2 |
|---------|----------|---|------------------------|--------------|----------------|--|------------|
| 001     | 188287-5 | rukojeť 4350FCT                         |                        | 1            |                | rukoje   |            |
| 001     |          | INC. 35                                 |                        |              |                |  |            |
| 002     | 266048-4 | šroub 4x40                              |                        | 1            |                |  |            |
| 003     | 266091-3 | šroub                                   |                        | 1            |                |  |            |
| 004     | 265995-6 | šroub 4x18 = old 265941-9               |                        | 5            |                |  |            |
| 005     | 442138-9 | těsnění 4350CT                          |                        | 1            |                | t  |            |
| 006     | 214031-5 | 922747                                  |                        | 1            |                | kluzn  |            |
| 007     | 232207-2 | pružinka                                |                        | 1            |                | pru  |            |
| 008     | 256117-9 | čep kladky 4324                         |                        | 1            |                |  |            |
| 009     | 911111-5 | šroub M4x10                             |                        | 2            |                |  |            |
| 010     | 911111-5 | šroub M4x10                             |                        | 2            |                |  |            |
| 011     | 345240-6 | vedení táhla 4340CT-4341CT              |                        | 1            |                | veden  |            |
| 012     | 345240-6 | vedení táhla 4340CT-4341CT              |                        | 1            |                | veden  |            |
| 013     | 153338-3 | převodová skříň 4340-51F                |                        | 1            |                | p  |            |
| C10     | 253313-0 | THIN WASHER 14                          |                        | 1            |                | podlo  |            |
| C20     | 257250-0 | RING 20                                 |                        | 1            |                |  |            |
| C30     | 421815-6 | DUST SEAL 8                             |                        | 1            |                | protiprachov                                       |            |
| 014     | 417839-8 | SEAL PLATE                              |                        | 1            |                | prachovka  |            |
| 015     | 231659-4 | pružina 6 4340CT-51FCT/BJV140R          |                        | 1            |                | pru  |            |
| 016     | 265026-1 | šroub                                   |                        | 1            |                |  |            |
| 017     | 419820-5 | plast podložka BJV140/180RF/43<br>5     |                        | 1            |                | plast podlo  |            |
| 018     | 421817-2 | protiprachový kryt 4340CT/JR100<br>0FTK |                        | 1            |                | protiprachov                                       |            |
| 019     | 962068-3 | segrovka 4340CT-41FCT                   |                        | 1            |                | segrovka 4340CT-41F<br>CT                          |            |
| 020     | 135060-4 | táhlo 4340CT-4351FCT                    |                        | 1            |                | t  |            |
| C10     | 165326-8 | táhlo 4340FCT                           |                        | 1            |                | t  |            |
| 020     |          | INC. 18,19,21-23                        |                        |              |                |  |            |
| 021     | 231660-9 | vratná pružina drž.plátku 4340CT        |                        | 1            |                | vratn  |            |
| 022     | 310136-0 | objímka upínání 4340FCT                 |                        | 1            |                | obj  |            |
| 023     | 310135-2 | čep 4340FCT                             |                        | 1            |                |  |            |
| 024     | 665394-6 | kabel 1.0-2-2.5 9566CR/CVR              |                        | 1            |                | kabel 1.0-2-2.5m 956<br>6CR/CVR                    |            |
| 025     | 682559-5 | gumová průchodka 6822                   |                        | 1            |                | gumov  |            |
| 026     | 687260-7 | držák kabelu GA5020/6020/HR22<br>30     |                        | 1            |                | dr   |            |
| 027     | 265995-6 | šroub 4x18 = old 265941-9               |                        | 1            |                |  |            |
| 028     | 645149-5 | NOISE SUPPRESSOR                        |                        | 1            |                | kondenz  |            |
| 029     | 266034-5 | šroub = old 933417                      |                        | 4            |                |  |            |
| 030     | 324233-6 | pojistka 4340_51/BJV                    |                        | 1            |                | pojistka 4340_51/BJV                               |            |
| 031     | 631470-8 | LED CIRCUIT                             |                        | 1            |                | elektronika 4340FCT<br>4341FCT 4350FCT 43<br>51FCT |            |
| 032     | 631766-7 | CONTROLLER                              |                        | 1            |                | elektronika 4350FCT                                |            |
| 033     | 650231-7 | SWITCH TGL115CDT-1                      |                        | 1            |                | vyp  |            |
| 034     | 654532-5 | kontakt                                 |                        | 1            |                | kontakt=new654475-<br>1                            |            |
| 035     | 188287-5 | rukojeť 4350FCT                         |                        | 1            |                | rukoje   |            |
| 035     |          | INC. 1                                  |                        |              |                |  |            |

|       |          |                                      |   |   |   |                     |  |
|-------|----------|--------------------------------------|---|---|---|---------------------|--|
| 036   | 310134-4 | pouzdro táhla 4340CT                 |   | 1 |   | pouzdro t           |  |
| 037   | 961017-7 | zajišťovací kroužek E-3              |   | 1 |   | zaji                |  |
| 038   | 961004-6 | segrovka S-8                         |   | 1 |   | segrovka S-8        |  |
| 039   | 212014-9 | jehlové ložisko 407                  |   | 1 | * |                     |  |
| 039-1 | 212092-9 | NEEDLE BEARING 407                   | O | 1 |   | jehlov              |  |
| 040   | 268090-1 | čep 4340CT-4351FCT/BJV14             |   | 1 |   |                     |  |
| 041   | 265353-6 | HEX. SOCKET HEAD BOLT M4X12          |   | 2 |   |                     |  |
| 042   | 153336-7 | excentr 4340CT                       |   | 1 |   | excentr 4340CT      |  |
| 043   | 313108-4 | deska                                |   | 1 |   | deska               |  |
| 044   | 153335-9 | ozubené kolo 4340CT                  |   | 1 |   | ozuben              |  |
| C10   | 212043-2 | jehlové ložisko 810                  |   | 2 |   | jehlov              |  |
| 045   | 345235-9 | táhlo                                |   | 1 |   | t                   |  |
| 046   | 253877-4 | podložka                             |   | 1 |   | podlo               |  |
| 047   | 266050-7 | šroub 4x30                           |   | 4 |   |                     |  |
| 048   | 961018-5 | zajišťovací kroužek E-5              |   | 1 |   | zaji                |  |
| 049   | 286032-3 | krytka                               |   | 1 |   | krytka              |  |
| 050   | 233139-6 | pružina                              |   | 1 |   | pru                 |  |
| 051   | 272244-4 | páčka                                |   | 1 | * |                     |  |
| 051-1 | 272280-0 | LEVER 17                             | < | 1 |   | p                   |  |
| 052   | 268063-4 | sponka 4 4340CT-41FC                 |   | 1 |   |                     |  |
| 053   | 153334-1 | rolnička                             |   | 1 |   | rolni               |  |
| 054   | 252171-1 | SQUARE NUT M5-8                      |   | 1 |   | matka               |  |
| 055   | 421816-4 | protiprachové těsnění 4340CT-41FC    |   | 1 |   | protiprachov        |  |
| 056   | 153337-5 | převodová skříň 4340CT               |   | 1 |   | p                   |  |
| 057   | 210005-4 | kulič. ložisko 608DDW = old 211031-6 |   | 1 |   | kuli                |  |
| 058   | 241881-5 | kryt větráku = old 175038            |   | 1 |   | kryt v              |  |
| 059   | 266052-3 | šroub 4x60                           |   | 2 |   |                     |  |
| 060   | 417838-0 | mezistěna 4340CT-51FCT               |   | 1 |   | mezist              |  |
| 061   | 593508-6 | stator                               |   | 1 | * | stator 4340 4350    |  |
| C10   | 654069-2 | Receptacle                           |   | 2 | * |                     |  |
| 061-1 | 599125-0 | FIELD ASS'Y 240V                     | < | 1 |   |                     |  |
| C10   | 654069-2 | Receptacle                           |   | 2 |   |                     |  |
| 062   | 517398-3 | rotor 4340CT                         |   | 1 |   | rotor 4340CT        |  |
| 062   |          | INC. 57,58,73,74                     |   |   |   |                     |  |
| 063   | 191962-4 | uhlíky CB-419 = CB-406,407           |   | 1 | * | uhl                 |  |
| 063-1 | 195015-1 | CARBON BRUSH SET CB-419              | O | 1 |   | uhl                 |  |
| 064   | 643936-6 | držák uhlíků = old 921709            |   | 2 |   | dr                  |  |
| 066   | 863673-8 | 4350FCT NAME PLATE                   |   | 1 |   |                     |  |
| 068   | 419886-5 | obal motoru 4350FCT                  |   | 1 |   | obal motoru 4350FCT |  |
| 069   | 259039-2 | zajišťovací kroužek 6                |   | 1 |   | zaji                |  |
| 070   | 688117-5 | magnetický snímač=new688174-3        |   | 1 |   | magnetick           |  |
| 071   | 267756-0 | vymezovací podložka                  |   | 1 |   | vymezovac           |  |
| 072   | 421494-0 | vymezovací kroužek                   |   | 1 |   | vymezovac           |  |
| 073   | 211021-9 | BALL BEARING 607LLB                  |   | 1 |   |                     |  |
| 074   | 681636-0 | izolační podložka = old 681667-9     |   | 1 |   | izola               |  |
| 075   | 232208-0 | pružina                              |   | 1 |   | pru                 |  |
| 076   | 922226-3 | šroub M5x18                          |   | 1 |   |                     |  |
| 077   | 345237-5 | podložná deska 4340,41CT             |   | 1 |   | podlo               |  |
| 078   | 317565-8 | základová deska 4340CT               |   | 1 |   | z                   |  |
|       |          |                                      |   |   |   |                     |  |

|       |          |                                      |   |   |  |               |
|-------|----------|--------------------------------------|---|---|--|---------------|
| 079   | 912107-9 | COUNTERSUNK HEAD SCREW M4 X8         |   | 4 |  |               |
| 080   | 345238-3 | vložka zákl. desky 4340CT            |   | 1 |  | vlo           |
| A01   | 415524-7 | umělá hmota                          |   | 1 |  | chr           |
| A02   | 417852-6 | kluzná deska umělohmotná             |   | 1 |  | kluzn         |
| A03-1 | A-85737  | pilky č.B-22 = old 792522-1          |   | 1 |  | pilov         |
| A04-1 | A-85628  | pilky č.B-10 = old 792538-6          |   | 1 |  | pilov         |
| A05-1 | A-85793  | pilky č.BR-13 = old A-02294          |   | 1 |  | pilov         |
| A06   | 783202-0 | klíč inbus 4                         |   | 1 |  | kl            |
| A07   | 821549-5 | systainer Makpac 395x295x105 mm      |   | 1 |  |               |
| C10   | 453974-8 | LATCH                                |   | 4 |  | spona Makpacu |
| A08   | 417853-4 | adaptér 4350/51                      |   | 1 |  |               |
| A09   | 837803-7 | INNER TRAY                           |   | 1 |  |               |
| A10   | 800M82-8 | 4350FCTJ INDICATION LABEL            |   | 1 |  |               |
| A11   | 800M83-6 | 4350FCTJ PLASTIC CASE LABEL          |   | 2 |  |               |
| F01   | 192516-0 | GUIDE RAIL                           |   | 1 |  |               |
| F02   | 192557-6 | ANTI-SPLITERING DEVICE               |   | 1 |  | plastov       |
| F04   | 193516-3 | doraz 4340CT-41FCT                   |   | 1 |  |               |
| C10   | 165217-3 | GUIDE RULE                           |   | 1 |  |               |
| C20   | 271601-3 | stavěcí šroub 20                     |   | 1 |  | stav          |
| C30   | 323802-0 | GUIDE PIN                            |   | 1 |  |               |
| C40   | 922207-7 | HEX. SOCKET HEAD BOLT M5X10          |   | 1 |  |               |
| F05-1 | 193517-1 | adaptér k vodící liště               | O | 1 |  |               |
| C11   | 265785-7 | šroub                                | < | 1 |  |               |
| C20   | 347393-7 | RULE BAR                             |   | 1 |  |               |
| C30   | 417894-0 | GUIDE RAIL ADAPTER                   |   | 1 |  |               |
| F06   | 194416-0 | SHEET 10000 SET                      |   | 1 |  |               |
| F07   | 194417-8 | RUBBER SHEET 10000 SET               |   | 1 |  |               |
| F08   | 194418-6 | POSITION SHEET 1400 SET              |   | 1 |  |               |
| F10   | 194367-7 | vodící lišta SP6000 3000mm           |   | 1 |  |               |
| C10   | 413102-7 | SEAT 3000                            |   | 2 |  |               |
| C20   | 423360-7 | náhradní guma k liště 3000mm         |   | 1 |  |               |
| C30   | 423362-3 | RUBBER SEAT 3000                     |   | 2 |  | n             |
| C40   | 819212-2 | MAKITA LOGO LABEL                    |   | 1 |  |               |
| F11   | 194368-5 | vodící lišta 1400mm=old192516-0      |   | 1 |  |               |
| C10   | 413101-9 | kluzná páska k liště 1400mm          |   | 2 |  |               |
| C20   | 423359-2 | náhradní guma k liště 1400mm         |   | 1 |  | n             |
| C30   | 423361-5 | náhradní pěnová hmota k liště 1400mm |   | 2 |  |               |
| C40   | 819212-2 | MAKITA LOGO LABEL                    |   | 1 |  |               |
| F12   | 194925-9 | GUIDE RAIL 1900 SET                  |   | 1 |  |               |
| C10   | 423386-9 | POSITION SHEET 1900                  |   | 1 |  | n             |
| C20   | 423390-8 | RUBBER SHEET 1900                    |   | 2 |  |               |
| C30   | 451330-6 | SHEET 1900                           |   | 2 |  | n             |
| C40   | 819212-2 | MAKITA LOGO LABEL                    |   | 1 |  |               |
| F13   | 194910-2 | POSITION SHEET 1900 SET              |   | 1 |  |               |
| F15-2 | 197252-3 | GUIDE RAIL ADAPTER SET               | O | 1 |  |               |
| F16   | 199140-0 | GUIDE RAIL 1000 SET                  |   | 1 |  |               |
| F17   | 199141-8 | GUIDE RAIL 1500 SET                  |   | 1 |  |               |

Prosím uveďte objednáč číslo dílu v objednávce

Datum tisku 15. 10. 2024