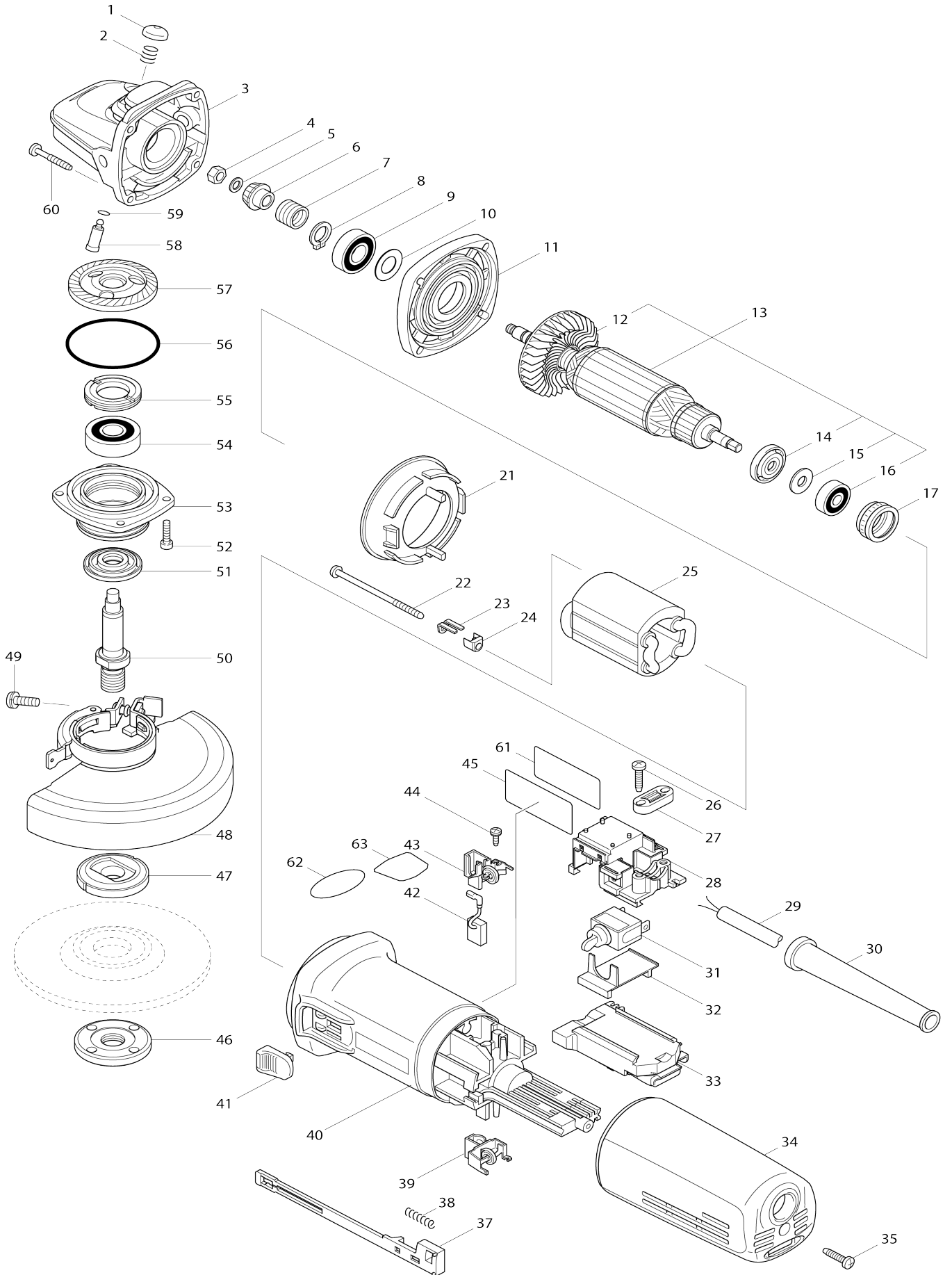


Model No.9565HR 125MM ANGLE GRINDER



Model No.9565HR 125MM ANGLE GRINDER

| Obj. č. | Obj. č. | Popis | Možn ost zá měny | Množ ství | Nový/ Starý | Poznámka 1 | Poznámka 2 |
|---------|----------|--|------------------------|--------------|----------------|---|------------|
| 001 | 418067-8 | tlačítko aretace 9562C=old41723 6-8 | | 1 | | tla | |
| 002 | 233072-2 | vinutá pružina 8 | | 1 | * | vinut | |
| 002-1 | 233376-2 | pružina MT952 | O | 1 | | pru | |
| 003 | 153488-4 | převodová skříň 9562/SG1250 | | 1 | | p | |
| 004 | 931303-0 | HEX. NUT M6 | | 1 | | | |
| 005 | 253077-6 | distanční podložka 6 | | 1 | | distan | |
| 006-1 | 227513-8 | SPIRAL BEVEL GEAR 11 | | 1 | | pastorek 11 =old226 794-1 | |
| 007 | 233901-9 | pružina spojky | | 1 | | pru | |
| 008 | 961052-5 | segrovka vnější S-12 | | 1 | | segrovka | |
| 009 | 211142-7 | kuličkové ložisko 6001LB | | 1 | | | |
| 010 | 253084-9 | podložka 12 | | 1 | | podlo | |
| 011 | 317359-1 | příruba ventilátoru 9562 | | 1 | | p | |
| 012 | 240033-5 | větrák 9562 | | 1 | | v | |
| 013 | 515234-7 | rotor, old 515179-9 | | 1 | | rotor old 515179-9 | |
| 013 | | INC. 12,14-16 | | | | | |
| 014 | 681656-4 | izolační podložka 9562C | | 1 | | izola | |
| 015 | 253823-7 | podložka 7 | | 1 | | podlo | |
| 016 | 210027-4 | kuličkové ložisko 627DDW | | 1 | | kuli | |
| 017 | 421738-8 | distanční kroužek ložiska rotoru | | 1 | * | | |
| 017-1 | 422750-1 | LABYRINTH RUBBER RING 22 | < | 1 | | distan | |
| 021 | 413076-2 | kryt větráku 9562C | | 1 | | kryt v | |
| 022 | 266258-3 | šroub 4x70 | | 2 | | | |
| 023 | 344871-8 | podložka šroubu statoru 9562C | | 2 | | podlo | |
| 024 | 417237-6 | izolační krytka | | 2 | * | izola | |
| 025 | 626564-2 | stator 9563, 9564,=old626509-0 | | 1 | * | stator 9563 9564 =ol d626509-0=new621C 09-3 | |
| 025-1 | 621C09-3 | FIELD 230-240V | S | 1 | | stator 9563 9564 =ol d626509-0 =old 6265 64-2 | |
| 026 | 265995-6 | šroub 4x18 = old 265941-9 | | 2 | | | |
| 027 | 687124-5 | držák kabelu | | 1 | | dr | |
| 028 | 638635-3 | přepínač | | 1 | | p | |
| 029 | 665394-6 | kabel 1.0-2-2.5 9566CR/CVR | | 1 | | kabel 1.0-2-2.5m 956 6CR/CVR | |
| 030 | 682559-5 | gumová průchodka 6822 | | 1 | | gumov | |
| 031 | 651418-4 | SWITCH ST115A-40 | | 1 | * | | |
| 031-1 | 651418-4 | SWITCH ST115A-40 | O | 1 | | | |
| 032 | 687113-0 | kryt vypínače 9562C | | 1 | | kryt vyp | |
| 033 | 620335-9 | CONTROLLER | | 1 | * | elektronika 9564HR 9 565HR=new620G07-8 | |
| 033-1 | 620G07-8 | CONTROLLER | < | 1 | | ovlada | |
| 034 | 417185-9 | kryt svorkovače | | 1 | | kryt svorkova | |
| 035 | 265995-6 | šroub 4x18 = old 265941-9 | | 1 | | | |
| 037 | 417186-7 | táhlo vypínače | | 1 | | t | |
| 038 | 233071-4 | vinutá pružina 4 | | 1 | | vinut | |
| 039 | 643760-7 | držák uhlíků=old643762-3 | | 1 | | dr | |
| 040 | 453276-2 | skříň motoru=old451278-2 | | 1 | | sk | |

| | | | | | | | |
|-------|----------|---|---|---|---|------------|--|
| 041 | 417813-6 | tlačítko vypínače = old 417188-3 | | 1 | | tla | |
| 042 | 194074-2 | uhlíky CB-325 | | 1 | | uhl | |
| 043 | 643760-7 | držák uhlíků=old643762-3 | | 1 | | dr | |
| 044 | 266256-7 | šroub PT 3x10 GD0800C | | 4 | | | |
| 045 | 850M51-9 | 9565HR NAME PLATE | | 1 | | | |
| 046 | 224554-5 | upevňovací matice 14-45 9524 | | 1 | | upev | |
| 047 | 224415-9 | vnitřní kroužek 42=old224298-7 | | 1 | | un | |
| 048 | 123099-9 | WHEEL COVER 125AK ASSEMBLY | | 1 | * | kryt kotou | |
| C10 | 213009-5 | o kroužek 4 AN5010/KP0810/C=o ld213022-3 | | 1 | * | o krou | |
| 048 | | INC. 49 | | | * | | |
| 048-1 | 141P28-6 | WHEEL COVER 125AK COMPLETE | < | 1 | * | | |
| C10 | 213009-5 | o kroužek 4 AN5010/KP0810/C=o ld213022-3 | | 1 | * | o krou | |
| C20 | 8050A1-8 | CAUTION LABEL | | 1 | * | | |
| 048-1 | | INC. 49 | | | * | | |
| 048-2 | 123099-9 | WHEEL COVER 125AK ASSEMBLY | < | 1 | * | kryt kotou | |
| C10 | 213009-5 | o kroužek 4 AN5010/KP0810/C=o ld213022-3 | | 1 | * | o krou | |
| 048-2 | | INC. 49 | | | * | | |
| 048-3 | 141P28-6 | WHEEL COVER 125AK COMPLETE | < | 1 | | | |
| C10 | 213009-5 | o kroužek 4 AN5010/KP0810/C=o ld213022-3 | | 1 | * | o krou | |
| C20 | 8050A1-8 | CAUTION LABEL | | 1 | | | |
| 048-3 | | INC. 49 | | | | | |
| 049 | 265180-1 | šroub M5x16 GA6021/GA4530=o ld265103-9 | | 1 | | | |
| 050 | 324035-0 | vřeteno 9562 | | 1 | | v | |
| 051 | 415300-9 | kroužek | | 1 | | krou | |
| 052 | 265490-6 | šroub M4x16 | | 4 | | | |
| 053 | 318334-0 | pouzdro ložiska=old318302-3 | | 1 | | pouzdro lo | |
| 054 | 211129-9 | kul.lož. 6201=old922088,211143- 5 211122-3 | | 1 | | kul.lo | |
| 055 | 285841-7 | kroužek ložiska 9562 | | 1 | | krou | |
| 056 | 213673-2 | o-kroužek | | 1 | | o-krou | |
| 057-1 | 227631-2 | SPIRAL BEVEL GEAR 38 | | 1 | | tal | |
| 058 | 256459-1 | aretační čep | | 1 | | areta | |
| 059 | 213048-5 | o-kroužek 6 | | 1 | | o-krou | |
| 060 | 266257-5 | šroub 4x28 | | 4 | | | |
| 061 | 805W65-3 | CLEAR LABEL | | 1 | * | | |
| 063 | 813900-3 | SJS MARK LABEL | | 1 | * | | |
| A01 | 153489-2 | boční rukojeť=old152490-4=old1 53504-2 | | 1 | | bo | |
| A02 | 782423-1 | klíč 35=old 782421-5 | | 1 | | | |
| A13 | 199710-5 | CUTTING W.C.A. 125 SET | | 1 | | kryt 125 | |
| F03 | 194514-0 | antivibrační rukojeť | | 1 | | | |
| F05-1 | 195239-9 | kryt odsávání 115-125mm | < | 1 | * | | |
| F39 | 191W06-8 | 115/125MM DUST COVER K SET | | 1 | | | |
| C10 | 743129-6 | BRUSH A | | 1 | | | |
| C20 | 743130-1 | BRUSH B | | 1 | | | |

Prosím uveďte objednáčíslo dílu v objednávce

Datum tisku 16. 10. 2024