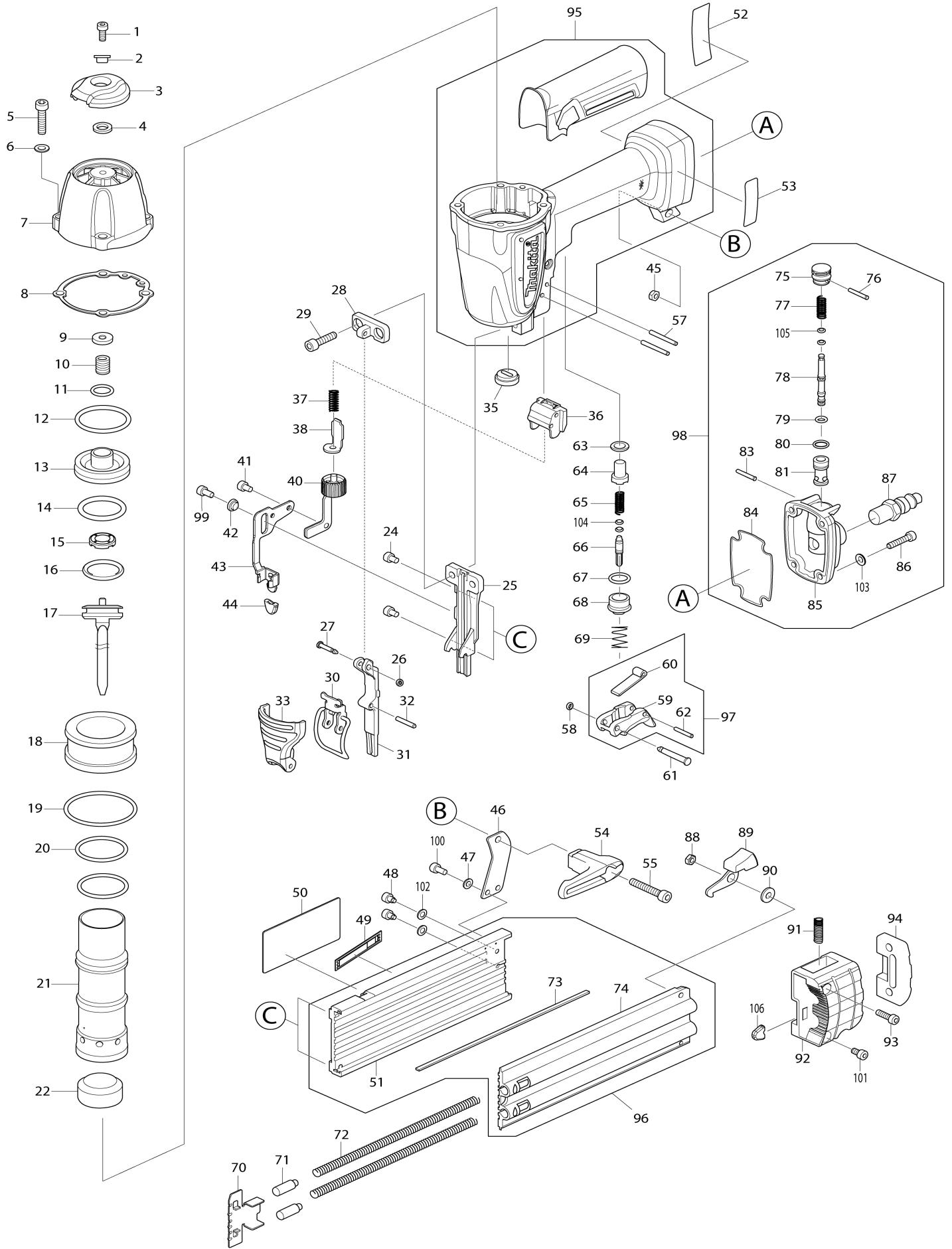


Model No.AF506 PNEUMATIC BRAD NAILER



Model No.AF506 PNEUMATIC BRAD NAILER

Obj. č.	Obj. č.	Popis	Možnost záměny	Množství	Nový/Starý	Poznámka 1	Poznámka 2
001	HY00000001	šroub M4x10 AF505		1			
002	HY00000002	pouzdro		1		pouzdro	
003	HY00000508	EXHAUSTCOVER		1			
004	HY00000004	podložka		1		podlo	
005	HY00000049	šroub		4			
006	HY00000160	FLAT WASHER 5		4			
007	HY00000511	TOPCAP		1		zadn	
008	HY00000509	TOPCAPGASCKET		1		t	
009	HY00000008	těsnění		1		t	
010	HY00000629	COMPRESSIONSPRING7		1		pru	
011	HY00000010	o kroužek		1		o krou	
012	HY00000011	o kroužek 33 AF505		1		o krou	
013	HY00000507	HEADVALVE		1			
014	HY00000408	ORING26.5		1		krou	
015	HY00000014	CUSHION P		1		tlumi	
016	HY00000400	ORING22.5		1		o krou	
017	HY00000911	DRIVER COMPLETE		1			
018	HY00000912	CYLINDER SEPARATER		1		mezikus	
019	HY00000016	o kroužek 46 AF505		1		o krou	
020	HY00000409	ORING30.5		2		krou	
021	HY00000913	CYLINDER		1		v	
022	HY00000546	FRONTCUSHION		1		doraz	
024	HY00000074	HEX.SOCKET HEAD BOLT M4X8		2			
025	HY00000914	DRIVER GUIDE		1		veden	
026	HY00000043	gumový kroužek		1		gumov	
027	HY00000915	COVER PLATE PIN		1			
028	HY00000916	PLATE		1			
029	HY00000005	HEX.SOCKET HEAD BOLT M5X20		2			
030	HY00000917	LATCH		1			
031	HY00000918	DOOR		1		z	
032	HY00000531	SPRINGPIN3-22		1			
033	HY00000919	LATCH COVER		1			
035	HY00000023	FRONT SEAL		1		t	
036	HY00000506	HOLDER		1			
037	HY00000421	COMPRESSIONSPRING5		1		pru	
038	HY00000444	UPPERYOKE		1			
040	HY00000950	CONTACT ARM COMPLETE		1			
041	HY00000649	HEX.SOCKETHEADBOLTM4X4		1			
042	HY00000633	BUSH		1		ruk	
043	HY00000923	CONTACT TOP		1		kontakt	
044	HY00000378	NOSE ADAPTER (2PCS)		1		gumov	
044		INC. 106					
045	HY00000924	HEX. LOCK NUT M5		1			
046	HY00000925	JOINT		1			
047	HY00000070	FLAT WASHER4		1	*		
047-1	HY00000070	FLAT WASHER4	O	2			
048	HY00000926	HEX. SOCKET HEAD BOLT M4X6		2			
049	HY00000927	SENSORMATIC CHIP		1			

050	HY00000928	CAUTION LABEL1		1		
051	HY00000929	MAGAZINE		1		
052	HY00000930	AF506 NAME PLATE		1		
053	HY00000931	CAUTION LABEL2		1		
054	HY00000062	HOOK		1		h
055	HY00000156	HEX.SOCKET HEAD BOLT M5X25		1		
057	HY00000024	SPRING PIN 3-26		2		
058	HY00000037	kroužek 3 AF505		1		krou
059	HY00000436	TRIGGER		1		
060	HY00000932	IDLER		1		
061	HY00000933	PIN4		1		
062	HY00000114	SPRING PIN 2.5-16		1		
063	HY00000033	o kroužek		1		o krou
064	HY00000034	ventil AF505		1		ventil AF505
065	HY00000035	COMPRESSION SPRING 4		1		pru
066	HY00000934	TRIGGER VALVE STEM		1		
067	HY00000039	o-kroužek 1		1		o-krou
068	HY00000038	skříň ventilu		1		sk
069	HY00000040	COMPRESSION SPRING 10		1		pru
070	HY00000935	PUSHER		1		tla
071	HY00000936	PIN7		2		
072	HY00000059	COMPRESSION SPRING 6		2		pru
073	HY00000937	MAGAZINE RAIL		1		
074	HY00000938	SLIDE DOOR		1		
075	HY00000573	DUSTERBUTTON		1		
076	HY00000046	PIN 2-10		1		
077	HY00000589	COMPRESSIONSPRING5		1		
078	HY00000513	VALVESTEM		1		
079	HY00000397	ORING5		1		
080	HY00000399	ORING8.5		1		
081	HY00000599	VALVEGUIDE		1		
083	HY00000054	čep		1		
084	HY00000580	SEALRING		1		
085	HY00000499	INLETCAP		1		
086	HY00000650	HEX.SOCKETHEADBOLTM4X20		4		
087	HY00000080	rychlospojka		1		vsuvka AF505 AT2550 =old A0307-0581
088	HY00000159	HEX. LOCK NUT M4		1		
089	HY00000941	LOCK LEVER		1		
090	HY00000942	SLEEVE4		1		
091	HY00000943	COMPRESSION SPRING 5		1		
092	HY00000944	SLIDE DOOR CAP		1		
093	HY00000647	HEX.SOCKETHEADBOLTM4X12		1		
094	HY00000945	CAP BUMPER		1		
095	HY00000946	HOUSING COMPLETE		1		obal AF506
096	HY00000947	MAGAZINE ASSEMBLY		1		
096		INC. 51,73,74				
097	HY00000948	TRIGGER ASSEMBLY		1		
097		INC. 59,60,62				
098	HY00000494	AIRDUSTERCOMPLETE		1		
098		INC. 75-81,83-87,103,105				
099	HY00000074	HEX.SOCKET HEAD BOLT M4X8		1		

100	HY00000074	HEX.SOCKET HEAD BOLT M4X8		2		
101	HY00000074	HEX.SOCKET HEAD BOLT M4X8		1		
102	HY00000070	FLAT WASHER4		2		
103	HY00000070	FLAT WASHER4		4		
104	HY00000037	kroužek 3 AF505		2		krou
105	HY00000037	kroužek 3 AF505		2		krou
106	HY00000378	NOSE ADAPTER (2PCS)		1		gumov
106		INC. 44				
A01	HY00000951	SAFETY GOGGLE		1	*	
A02-1	181434-7	olej pro kompresory 0,3dcl		1	*	
A02-2	HY00000952	OIL SUPPLY	O	1		
A04	HY00001107	PLASTIC CASE		1		

Prosím uveďte objednáč. číslo dílu v objednávce

Datum tisku 16. 10. 2024