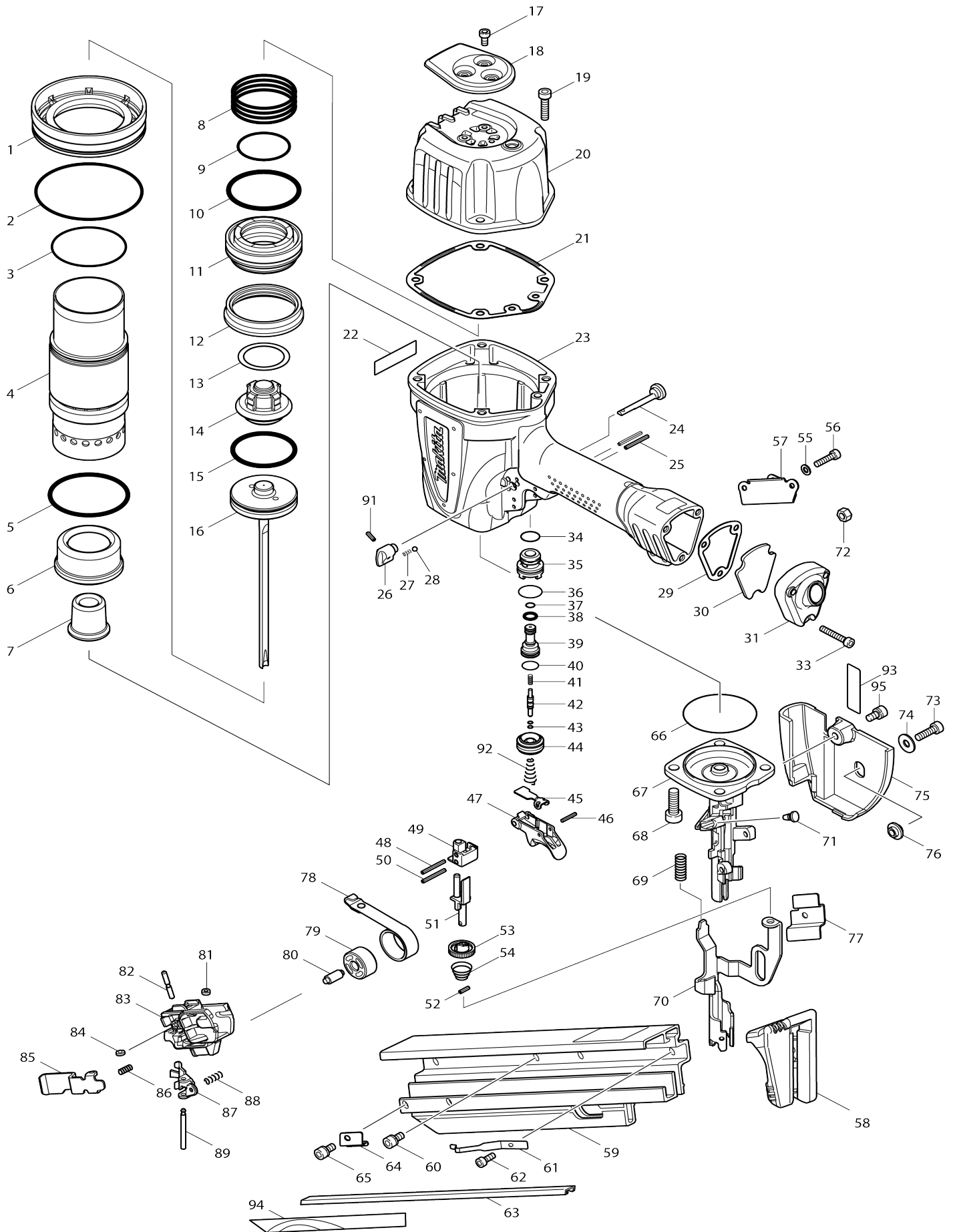


Model No. AN943 PNEUMATICKÁ HŘEBÍKOVAČKA



Model No.AN943 PNEUMATICKÁ HŘEBÍKOVAČKA

Obj. č.	Obj. č.	Popis	Možn ost zá měny	Množ ství	Nový/ Starý	Poznámka 1	Poznámka 2
001	419115-6	CYLINDER SEPARATOR		1		d	
002	213809-3	O RING 87		1		O krou	
003	213668-5	O RING 60		1		o-krou	
004	331700-4	CYLINDER		1		v	
005	213667-7	o-kroužek 60		1		o-krou	
006	421680-3	CUSHION F		1		tlumi	
007	421687-9	CUSHION GUIDE		1		veden	
008	233243-1	COMPRESSION SPRING 50		1		pru	
009	213504-5	o-kroužek 40		1		o-krou	
010	213669-3	o-kroužek 56		1		o-krou	
011	419114-8	HEAD VALVE		1		hlava v	
012	421925-9	VALVE SEAT		1		t	
013	267742-1	WASHER 34		1		podlo	
014	421924-1	CUSHION REAR		1		zadn	
015	213619-8	O RING 49		1		krou	
016	154652-0	úderník		1			
017	265499-8	HEX.SOCKET HEAD BOLT M5X10		3			
018	345618-3	EXHAUST COVER		1		kryt v	
019	922342-1	imbus M6x25		4		imbus M6x25	
020	317950-5	TOP CAP		1			
021	162238-6	TOPCAP GASKET		1		t	
023	154820-5	HOUSING COMPLETE		1			
C10	421921-7	GRIP		1			
C20	421922-5	HOUSING BUMPER R		1			
C30	421923-3	HOUSING BUMPER L		1			
C40	817592-0	CAUTION LABEL		1			
024	324117-8	LOCK PIN 8		1		zaji	
025	951075-1	SPRING PIN 3-28		2			
026	417824-1	LEVER 8		1		p	
027	233368-1	COMPRESSION SPRING 3		1		pru	
028	216008-6	kulička 4		1		kuli	
029	162239-4	INLET CAP GASKET		1			
030	419356-4	INLET FILTER		1		filtr	
031	318005-9	INLET CAP		1			
033	922252-2	HEX. SOCKET HEAD BOLT M5X30		3			
034	213176-6	o kroužek		1		o krou	
035	417695-6	TRIGGER VALVE GUIDE		1		pouzdro AN943	
036	213262-3	o-kroužek 18		1		o-krou	
037	213039-6	o kroužek UC3020A		1		o krou	
038	213040-1	O RING 8		1		o krou	
039	317959-7	PILOT VALVE		1		ventil	
040	213122-9	o-kroužek 14 = old 213162-7		1		o-krou	
041	233239-2	COMPRESSION SPRING 3		1		pru	
042	324591-0	TRIGGER VALVE STEM		1		ventil AN943	
043	213044-3	O RING 3		2		o krou	
044	318010-6	TRIGGER VALVE CASE		1		veden	
045	345687-4	IDLER		1		pojistka AN943	
046	258004-8	SPRING PIN 2.5-16		1			

047	419418-8	TRIGGER		1		spou	
048	951075-1	SPRING PIN 3-28		1			
049	310165-3	HOLDER		1		dr	
050	951075-1	SPRING PIN 3-28		1			
051	310166-1	STOPPER		1		doraz AN943	
052	951054-9	čep 3-10 1923H		1			
053	310163-7	ADJUSTER		1			
054	231978-8	CONICAL COMP. SPRING 9-16		1		pru	
055	267300-3	FLAT WASHER 5		2			
056	266369-4	HEX SOCKET HEAD BOLT M5X20		2			
057	345626-4	JOINT		1			
058	419117-2	MAGAZINE CAP		1			
059	154823-9	MAGAZINE COMPLETE		1			
C10	810022-0	CAUTION LABEL		1	*		
C11	816R52-7	CAUTION LABEL	<	1			
060	266370-9	HEX SOCKET HEAD BOLT M6X12		2			
061	345619-1	NAIL STOPPER		1			
062	922217-4	šroub M5x14 = old 911218-7		1			
063	345620-6	MAGAZINE RAIL		1			
064	344765-7	HOLDER		1			
065	266370-9	HEX SOCKET HEAD BOLT M6X12		1			
066	213654-6	o-kroužek 60		1		o-krou	
067	310164-5	DRIVER GUIDE		1			
068	266368-6	HEX SOCKET HEAD BOLT M8X25		4			
069	233463-7	COMPRESSION SPRING 10		1		pru	
070	345622-2	CONTACT ARM		1		remeno AN943	
071	421418-6	RUBBER PIN 9.5		1			
072	931302-2	matka M6		2		matka M6=new25227 3-3	
073	265498-0	HEX.SOCKET HEAD BOLT M6X20		1			
074	267314-2	FLAT WASHER 7		1			
075	419118-0	COVER		1		kryt AN943	
076	267743-9	SHOLDER WASHER 6		1		podlo	
077	344766-5	HOLDER		1			
078	163456-9	SPIRAL SPRING COMPLETE		1		pru	
079	419112-2	SPRING GUIDE		1		veden	
080	256428-2	PIN 5-8		1			
081	262054-7	o kroužek		1		o krou	
082	256770-1	PIN 4		1			
083	419116-4	PUSHER LEVER		1		p	
084	262054-7	o kroužek		1		o krou	
085	345673-5	LOCK PLATE		1			
086	231309-1	vinutá pružina 5		1		vinut	
087	345621-4	PUSHER		1			
088	233038-2	pružina		1		pru	
089	256490-7	PIN 4		1			
091	951054-9	čep 3-10 1923H		1			
092	233908-5	CONICAL COMPRESSION SPRING 4-11		1		pru	
093	810097-9	INDICATION LABEL		1			
094	819181-7	INDICATION LABEL		1			
095	266370-9	HEX SOCKET HEAD BOLT M6X12		1			

A01	122742-7	HOOK ASSEMBLY		1			
C10	233442-5	COMPRESSION SPRING 10		1			
C20	257757-6	SLEEVE 10		1			
C30	313125-4	JOINT		1			
C40	951063-8	čep 3-16		1			
A02-1	195246-2	SAFETY GOGGLE		1	*		
A03	181434-7	olej pro kompresory 0,3dcl		1			
A04	421677-2	NOSE ADAPTER		1			
A05	824841-8	PLASTIC CARRYING CASE		1			

Prosím uveďte objednáč í číslo dílu v objednávce

Datum tisku 16. 10. 2024