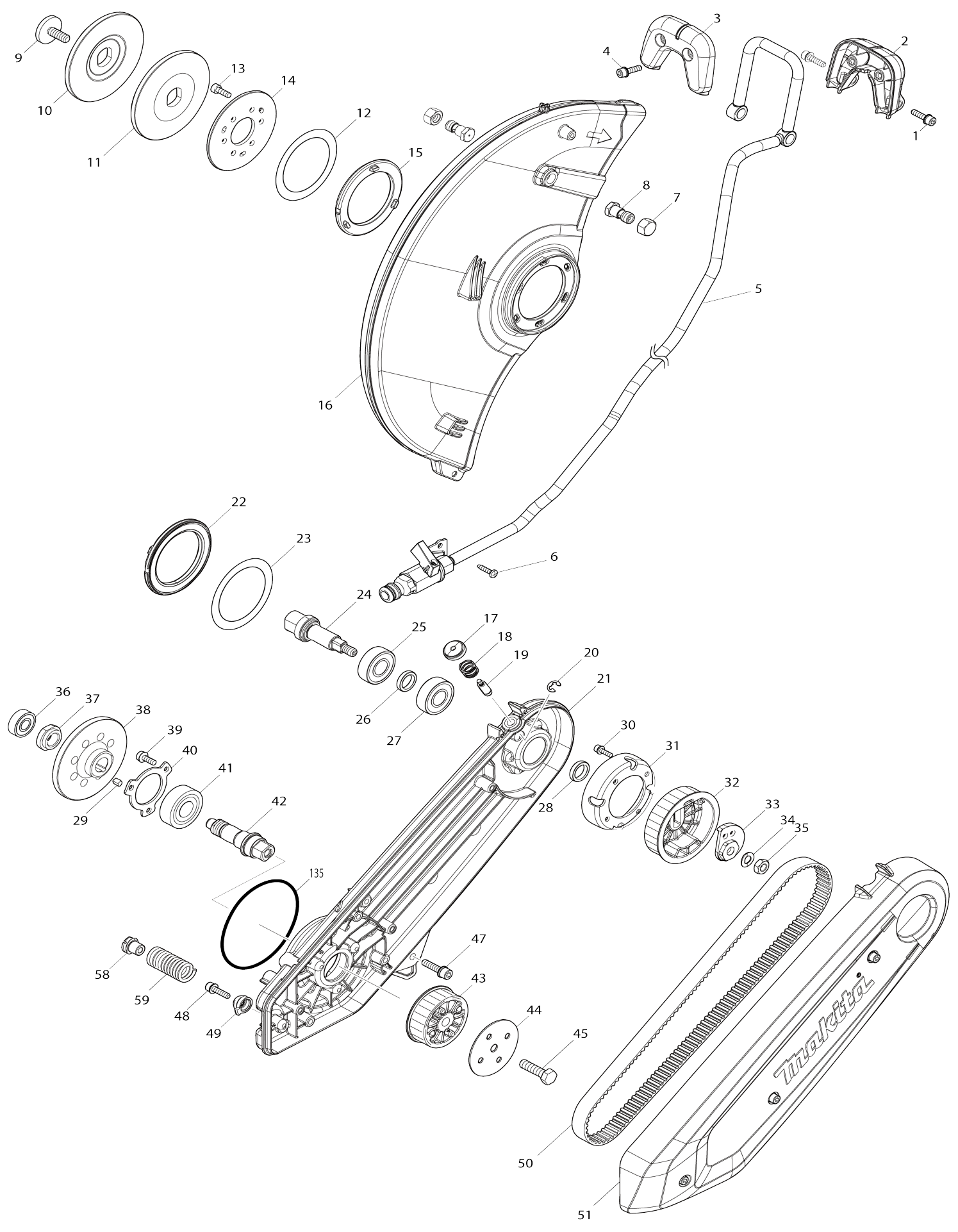
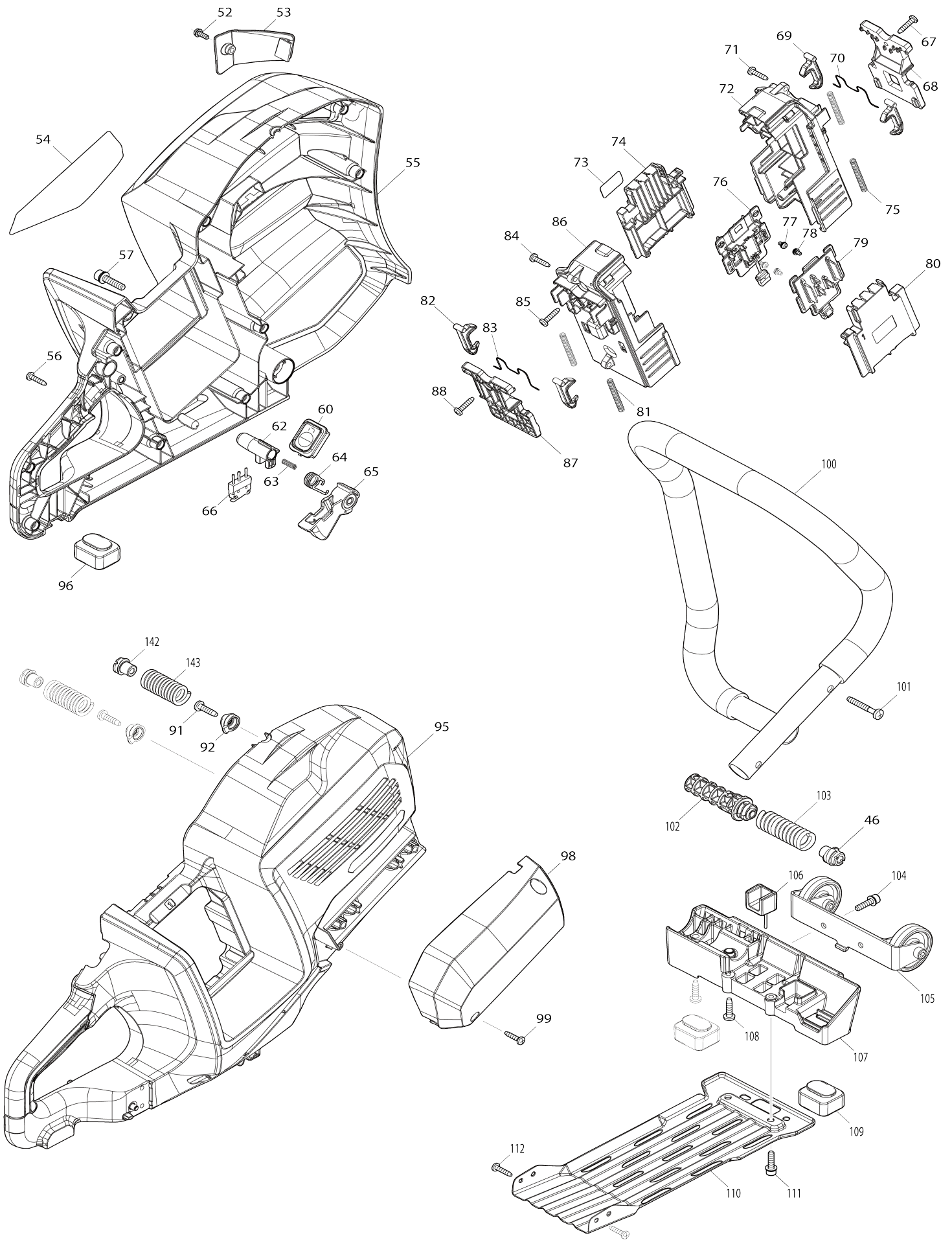


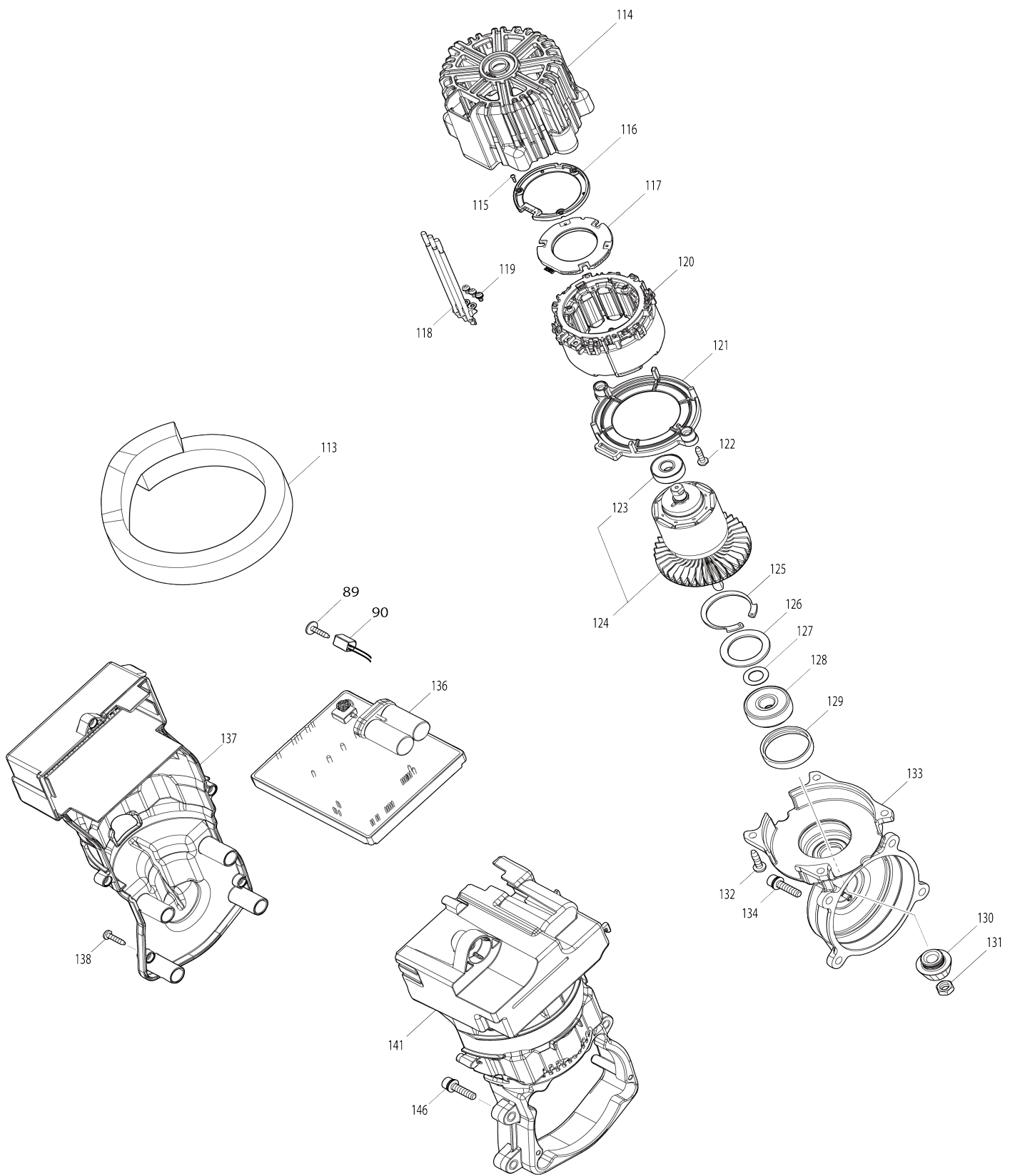
Model No.CE001G 355MM CORDLESS POWER CUTTER



Model No.CE001G 355MM CORDLESS POWER CUTTER



Model No.CE001G 355MM CORDLESS POWER CUTTER



Model No.CE001G 355MM CORDLESS POWER CUTTER

Obj. č.	Obj. č.	Popis	Možn ost zá měny	Množ ství	Nový/ Starý	Poznámka 1	Poznámka 2
001	922233-6	H.S.H.BOLT M5X20 WITH WR		2			
002	183U98-9	WHEEL COVER GRIP SET		1		sada krytu kol	
002		INC. 3					
003	183U98-9	WHEEL COVER GRIP SET		1		sada krytu kol	
003		INC. 2					
004	922233-6	H.S.H.BOLT M5X20 WITH WR		2			
005	122B46-9	HOSE ASSEMBLY		1		hadice	
006	266326-2	šroub 4x18=new265995-6		2			
007	252306-4	HEX.NUT M10		2		matice m10	
008	265C26-9	HEX.BOLT M10X21		2			
009	266976-3	HEX. BOLT M8X25		1			
010	224622-4	FLANGE 92		1		p	
011	224622-4	FLANGE 92		1		p	
012	424792-1	SLIDING DISK		1		disk EK6101=old3153 42030	
013	922217-4	šroub M5x14 = old 911218-7		6			
014	347917-9	SPINDLE PLATE 83		1		v	
015	422822-2	RUBBER RING 56		1		pry	
016	312C31-8	WHEEL COVER 355		1	*	kryt kola 355	
016-1	312D96-6	WHEEL COVER 355	O	1		kryt kola 355 =old 31 2C31-8	
017	451485-7	kryt		1	*	areta	
017-1	137186-8	PIN CAP ASS'Y	S	1			
018	233089-5	vinutá pružina 12		1		vinut	
019	256947-8	SHOULDER PIN 7		1	*		
020	961012-7	zajišťovací kroužek		1			
021	312C29-5	CUTTING DEVICE		1			
022	422822-2	RUBBER RING 56		1		pry	
023	424792-1	SLIDING DISK		1		disk EK6101=old3153 42030	
024	327927-2	SPINDLE		1		v	
025	211238-4	kuličkové ložisko 6202LV		1		kuli	
026	257868-7	RING 15		1		krou	
027	211238-4	kuličkové ložisko 6202LV		1		kuli	
028	257868-7	RING 15		1		krou	
029	254201-4	klín 4 8419B/DA3010F/11F/BDA		1		kl	
030	922123-3	imbus M4x14 DCS230T		2		imbus M4x14 DCS23 0T	
031	347915-3	PULLEY BOTTOM PLATE		1		spodn	
032	222201-2	PULLEY 17-70.5		1		kladka 17-70 5	
033	313415-5	ECCENTRIC DISK		1		excentrick	
034	267822-3	SPRING WASHER 8		1		podlo	
035	264022-6	HEX. NUT M8X1		1	*	matka = old 9203080 24	
035-1	264053-5	HEX. NUT M8X1	O	1		matka	
036	211062-5	kuličkové ložisko 6000ZZ		1		kuli	
037	252429-8	matka M15-23		1		matka M15-23 GA70 40 GA9030 GA9040	
038	227922-1	SPIRAL BEVEL GEAR 53		1		pastorek 53	
039	265074-0	PAN HEAD SCREW M5X16		3			

040	285049-3	BEARING RETAINER 33-59		1		dr	
041	211278-2	kulič. ložisko 6203DDW = old B30 130		1		kuli	
042	327926-4	GEAR SHAFT		1		ozuben	
043	222202-0	PULLEY 17-54.6		1		kladka 17-54 6	
044	347918-7	PULLEY PLATE 59		1		deska kladky 59	
045	265C27-7	HEX.BOLT M8X30		1	*		
045-1	265D39-6	HEX.BOLT M8X30	<	1			
046	312C35-0	SPRING HOLDER C		1		dr	
047	922343-9	H.S.H.BOLT M6X25 WITH WR		1			
048	922233-6	H.S.H.BOLT M5X20 WITH WR		1			
049	312C33-4	SPRING HOLDER A		1		dr	
050	225106-5	SYNCHRO BELT 15-750		1		synchro	
051	141G40-2	BELT COVER COMPLETE		1		kryt p	
C10	265B09-3	H.S. HEAD BOLT M5X30 WITH W R		3			
052	911118-1	šroub M4x12		1			
053	413C66-3	LENS		1			
054	8116C0-0	CE001G NAME PLATE		1			
055	183W18-5	HANDLE SET		1	*	rukoje	
C10	8040V4-6	XGT LOGO LABEL		1	*		
055		INC. 95			*		
055-1	183Y19-5	HANDLE SET	S	1		rukoje	
C10	8040V4-6	XGT LOGO LABEL		1			
055-1		INC. 95					
056	266326-2	šroub 4x18=new265995-6		9			
057	922343-9	H.S.H.BOLT M6X25 WITH WR		1			
058	312C34-2	SPRING HOLDER B		1		dr	
059	232729-2	COMPRESSION SPRING 13		1		pru	
060	141G39-7	SWITCH CIRCUIT COMPLETE		1		sp	
062	413C73-6	LOCK OFF BUTTON		1		tla	
063	232444-8	COMPRESSION SPRING 4		1			
064	232732-3	TORSION SPRING 10		1		pru	
065	413C72-8	SWITCH LEVER		1		p	
066	632T61-8	SWITCH UNIT		1		sp	
067	266326-2	šroub 4x18=new265995-6		1			
068	413C77-8	LOCK COVER		1		kryt z	
069	413C76-0	BATTERY ADAPTER LOCK		2		z	
070	232731-5	LEVER SPRING		1		pru	
071	266326-2	šroub 4x18=new265995-6		2			
072	183U87-4	TERMINAL BOX SET		1		svorkovnice	
C10	263005-3	vymezovací čep 6		4			
072		INC. 86					
073	8116C7-6	CE001G SERIAL NO. LABEL		1			
074	183U89-0	BATTERY ADAPTER SET		1	*		
074		INC. 80			*		
074-1	413C74-4	BATTERY ADAPTER L	X	1		adapt	
075	232730-7	COMPRESSION SPRING 5		2		pru	
076	632T08-2	TERMINAL UNIT		1		patice VC001-005G	
077	652031-1	PAN HEAD SCREW M3X6		2			
078	652031-1	PAN HEAD SCREW M3X6		2			
079	632T08-2	TERMINAL UNIT		1		patice VC001-005G	

080	183U89-0	BATTERY ADAPTER SET		1	*		
080		INC. 74			*		
080-1	413C75-2	BATTERY ADAPTER R	X	1		adapt	
081	232730-7	COMPRESSION SPRING 5		2		pru	
082	413C76-0	BATTERY ADAPTER LOCK		2		z	
083	232731-5	LEVER SPRING		1		pru	
084	266326-2	šroub 4x18=new265995-6		2			
085	266326-2	šroub 4x18=new265995-6		2			
086	183U87-4	TERMINAL BOX SET		1		svorkovnice	
C10	263005-3	vymezovací čep 6		4			
086		INC. 72					
087	413C77-8	LOCK COVER		1		kryt z	
088	266326-2	šroub 4x18=new265995-6		1			
089	265620-9	TAPPING SCREW FLANGE 4X18		1			
090	620H50-3	LED CIRCUIT		1		led okruh	
091	266021-4	šroub Pt 5x20		2			
092	312C33-4	SPRING HOLDER A		2		dr	
095	183W18-5	HANDLE SET		1	*	rukoje	
C10	8040V4-6	XGT LOGO LABEL		1	*		
095		INC. 55			*		
095-1	183Y19-5	HANDLE SET	S	1		rukoje	
C10	8040V4-6	XGT LOGO LABEL		1			
095-1		INC. 55					
096	422823-0	REAR FOOT		1		zadn	
098	413C69-7	HOSE COVER		1	*	kryt hadice	
098-1	136926-1	HOSE COVER ASS'Y	S	1		kryt hadice =old 413C 69-7	
C10	263005-3	vymezovací čep 6		2			
099	266326-2	šroub 4x18=new265995-6		2			
100	327928-0	FRONT GRIP 26		1	*	p	
100-1	327C20-0	FRONT GRIP 26	<	1		p	
101	266373-3	šroub 5x35=old266012-5		2			
102	413C71-0	SPRING HOLDER D		1		dr	
103	232728-4	COMPRESSION SPRING 12		1		pru	
104	922233-6	H.S.H.BOLT M5X20 WITH WR		2			
105	122B47-7	CASTER ASSEMBRY		1		dr	
106	424788-2	DAMPER		1		tlumi	
107	312C32-6	STAND SUPPORT		1		podp	
108	266021-4	šroub Pt 5x20		2			
109	422823-0	REAR FOOT		2		zadn	
110	347916-1	BOTTOM GUARD		1		chr	
111	922233-6	H.S.H.BOLT M5X20 WITH WR		2			
112	266326-2	šroub 4x18=new265995-6		2			
113	422821-4	SPONGE SHEET		1		p	
114	413C70-2	MOTOR HOUSING		1		sk	
115	266490-9	TAPPING SCREW PT 2X6		3			
116	687B69-9	STOPPER		1		zar	
117	620E26-2	CONTROLLER B		1		ovl	
118	632T58-7	LEAD UNIT		1		ovl	
119	652031-1	PAN HEAD SCREW M3X6		3			
120	629A92-2	STATOR		1		stator	
121	459144-7	BAFFLE PLATE		1		deska	

122	266326-2	šroub 4x18=new265995-6		2		
123	210059-1	BALL BEARING 6000DDW		1		
124	519717-9	ROTOR ASS'Y		1	*	rotor
124		INC. 123			*	
124-1	519717-9	ROTOR ASS'Y	O	1		rotor
124-1		INC. 123				
125	962211-4	Retaining Ring R-42		1		
126	253545-9	FLAT WASHER 28		1		podlo
127	267212-0	podložka 6953		1		podlo
128	211132-0	kuličkové ložisko 6301DDW		1		kuli
129	262085-6	gumový kroužek 38 9077SF/GA7 020-9		1		gumov
130	227921-3	SPIRAL BEVEL GEAR 15		1		ozuben
131	252178-7	matka M8x12 4112HS		1		matka M8x12 4112H S
132	266021-4	šroub Pt 5x20		4		
133	141G44-4	GEAR HOUSING COMPLETE		1		obal p
134	922343-9	H.S.H.BOLT M6X25 WITH WR		4		
135	213806-9	o-kroužek 90		1		o-krou
136	620H49-8	CONTROLLER		1		ovlada
137	183U88-2	MOTOR HOUSING COVER SET		1		obal motoru
137		INC. 141				
138	266326-2	šroub 4x18=new265995-6		5		
141	183U88-2	MOTOR HOUSING COVER SET		1		obal motoru
141		INC. 137				
142	312C34-2	SPRING HOLDER B		2		dr
143	232729-2	COMPRESSION SPRING 13		2		pru
146	922343-9	H.S.H.BOLT M6X25 WITH WR		5		
A01	123121-2	COUPLING SLEEVE		1		
A02	191W53-9	RING SET		1		
A03	782037-6	BOX WRENCH 13-19		1		

Prosím uveďte objednáčíslo dílu v objednávce

Datum tisku 17. 10. 2024