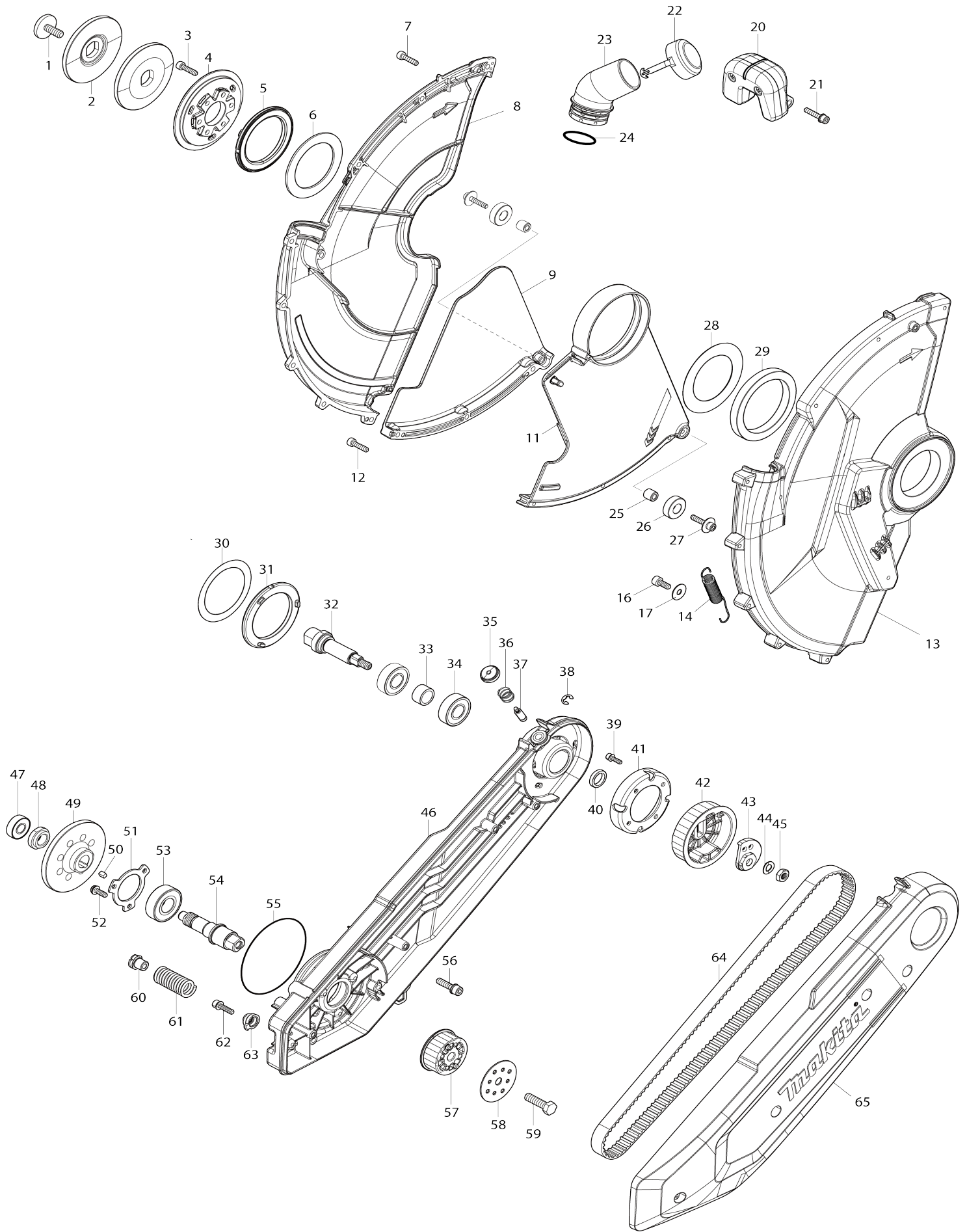
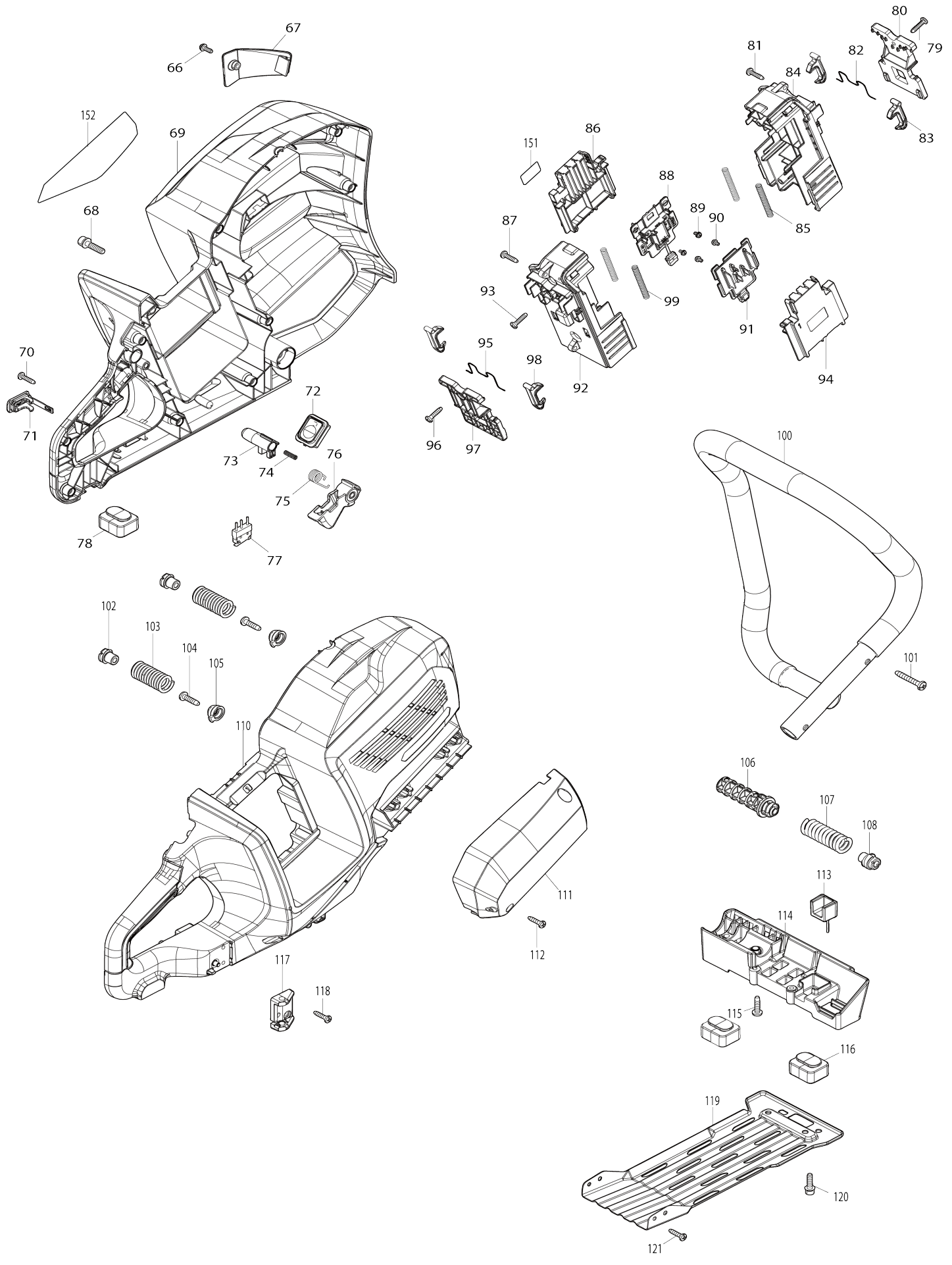


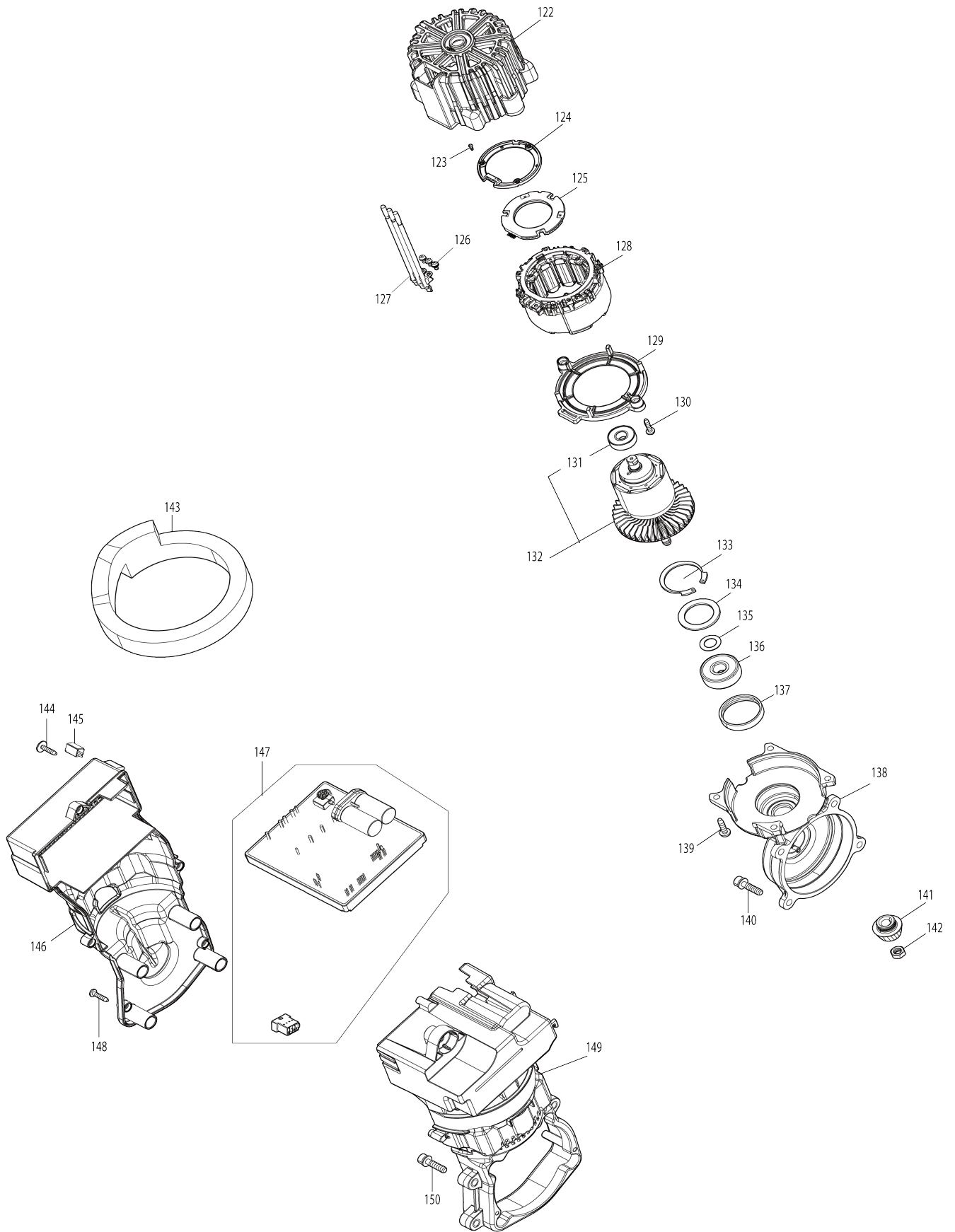
Model No.CE002G 355MM CORDLESS POWER CUTTER



Model No.CE002G 355MM CORDLESS POWER CUTTER



Model No.CE002G 355MM CORDLESS POWER CUTTER



Model No.CE002G 355MM CORDLESS POWER CUTTER

Obj. č.	Obj. č.	Popis	Možnost záměny	Množství	Nový/Stary	Poznámka 1	Poznámka 2
001	266976-3	HEX. BOLT M8X25		1			
002	224632-1	FLANGE 80		2		p	
003	922232-8	imbus M5x20		6		imbus M5x20	
004	312D66-5	BRACKET		1		konzola CE002G	
005	422822-2	RUBBER RING 56		1		pry	
006	253574-2	FLAT WASHER 56		1		podlo	
007	922232-8	imbus M5x20		9		imbus M5x20	
008	137006-6	WHEEL COVER L ASS'Y		1		kryt lev	
C10	263002-9	vymezovací čep 4		1			
C20	8064C1-9	CAUTION LABEL		1			
009	312D70-4	LOWER GUARD L		1		kryt lev	
011	141N02-2	LOWER GUARD R COMPLETE		1		kryt prav	
012	922232-8	imbus M5x20		3		imbus M5x20	
013	137005-8	WHEEL COVER R ASS'Y		1		kryt prav	
C10	263002-9	vymezovací čep 4		1			
014	232798-3	TENSION SPRING 11		1		pru	
016	922212-4	imbus M5x12		1		imbus M5x12	
017	253424-1	FLAT WASHER 6		1			
020	136853-2	WHEEL COVER GRIP ASSEMBLY		1		dr	
C10	266326-2	šroub 4x18=new265995-6		2			
021	922243-3	Hex. Socket Head Bolt M5		2			
022	421362-7	CAP		1			
023	416741-2	průchodka SG1250		1		pr	
024	213888-1	O-RING 30		1			
025	257896-2	SLEEVE 5.4		2		pouzdro CE002G	
026	327B11-5	ROLLER 25		2		v	
027	265A89-3	H.S.H.BOLT M5X25 WITH WR		2			
028	413P09-3	BEARING COVER		1		kryt lo	
029	257A13-0	RING 65		1		krou	
030	424792-1	SLIDING DISK		1		disk EK6101=old3153 42030	
031	422822-2	RUBBER RING 56		1		pry	
032	327B10-7	SPINDLE		1		h	
033	257895-4	SLEEVE 15		1		pouzdro 15 CE002G	
034	211238-4	kuličkové ložisko 6202LV		2		kuli	
035	451485-7	kryt		1	*	areta	
035-1	137186-8	PIN CAP ASS'Y	S	1			
036	233089-5	vinutá pružina 12		1		vinut	
037	256947-8	SHOULDER PIN 7		1	*		
038	961012-7	zajišťovací kroužek		1			
039	922123-3	imbus M4x14 DCS230T		2		imbus M4x14 DCS23 0T	
040	257868-7	RING 15		1		krou	
041	347915-3	PULLEY BOTTOM PLATE		1		spodn	
042	222201-2	PULLEY 17-70.5		1		kladka 17-70 5	
043	313415-5	ECCENTRIC DISK		1		excentrick	
044	267822-3	SPRING WASHER 8		1		podlo	
045	264053-5	HEX. NUT M8X1		1		matka	
046	312D67-3	CUTTING DEVICE		1		veden	

047	211062-5	kuličkové ložisko 6000ZZ		1	kuli	
048	252429-8	matka M15-23		1	matka M15-23 GA70 40 GA9030 GA9040	
049	227922-1	SPIRAL BEVEL GEAR 53		1	pastorek 53	
050	254201-4	klín 4 8419B/DA3010F/11F/BDA		1	kl	
051	285049-3	BEARING RETAINER 33-59		1	dr	
052	265074-0	PAN HEAD SCREW M5X16		3		
053	211278-2	kulič. ložisko 6203DDW = old B30 130		1	kuli	
054	327B09-2	GEAR SHAFT		1	h	
055	213806-9	o-kroužek 90		1	o-krou	
056	922343-9	H.S.H.BOLT M6X25 WITH WR		1		
057	222203-8	PULLEY 17-45.0		1	kladka CE002G	
058	347A86-2	PULLEY PLATE 50		1	kryt kladky CE002G	
059	265D39-6	HEX.BOLT M8X30		1		
060	312C34-2	SPRING HOLDER B		1	dr	
061	232729-2	COMPRESSION SPRING 13		1	pru	
062	922233-6	H.S.H.BOLT M5X20 WITH WR		1		
063	312C33-4	SPRING HOLDER A		1	dr	
064	225107-3	SYNCHRO BELT 15-880		1		
065	141N00-6	BELT COVER COMPLETE		1	kryt p	
C10	265B09-3	H.S. HEAD BOLT M5X30 WITH W R		4		
066	911118-1	šroub M4x12		1		
067	413C66-3	LENS		1		
068	922343-9	H.S.H.BOLT M6X25 WITH WR		1		
069	183Y26-8	HANDLE SET		1	rukoje	
C10	8040V4-6	XGT LOGO LABEL		1		
069		INC. 110				
070	266326-2	šroub 4x18=new265995-6		9		
071	140F99-0	CAP COMPLETE		1	v	
C10	213A05-9	O-RING16		1	o krou	
072	141G39-7	SWITCH CIRCUIT COMPLETE		1	sp	
073	413C73-6	LOCK OFF BUTTON		1	tla	
074	232444-8	COMPRESSION SPRING 4		1		
075	232732-3	TORSION SPRING 10		1	pru	
076	413C72-8	SWITCH LEVER		1	p	
077	632T61-8	SWITCH UNIT		1	sp	
078	422823-0	REAR FOOT		1	zadn	
079	266326-2	šroub 4x18=new265995-6		1		
080	413C77-8	LOCK COVER		1	kryt z	
081	266326-2	šroub 4x18=new265995-6		2		
082	232731-5	LEVER SPRING		1	pru	
083	413C76-0	BATTERY ADAPTER LOCK		2	z	
084	183U87-4	TERMINAL BOX SET		1	svorkovnice	
C10	263005-3	vymezovací čep 6		4		
084		INC. 92				
085	232730-7	COMPRESSION SPRING 5		2	pru	
086	413C74-4	BATTERY ADAPTER L		1	adapt	
087	266326-2	šroub 4x18=new265995-6		2		
088	632T08-2	TERMINAL UNIT		1	patice VC001-005G	
089	652031-1	PAN HEAD SCREW M3X6		2		

090	652031-1	PAN HEAD SCREW M3X6		2		
091	632T08-2	TERMINAL UNIT		1		patice VC001-005G
092	183U87-4	TERMINAL BOX SET		1		svorkovnice
C10	263005-3	vymezovací čep 6		4		
092		INC. 84				
093	266326-2	šroub 4x18=new265995-6		2		
094	413C75-2	BATTERY ADAPTER R		1		adapt
095	232731-5	LEVER SPRING		1		pru
096	266326-2	šroub 4x18=new265995-6		1		
097	413C77-8	LOCK COVER		1		kryt z
098	413C76-0	BATTERY ADAPTER LOCK		2		z
099	232730-7	COMPRESSION SPRING 5		2		pru
100	327928-0	FRONT GRIP 26		1	*	p
100-1	327C20-0	FRONT GRIP 26	<	1		p
101	266373-3	šroub 5x35=old266012-5		2		
102	312C34-2	SPRING HOLDER B		2		dr
103	232729-2	COMPRESSION SPRING 13		2		pru
104	266021-4	šroub Pt 5x20		2		
105	312C33-4	SPRING HOLDER A		2		dr
106	413C71-0	SPRING HOLDER D		1		dr
107	232728-4	COMPRESSION SPRING 12		1		pru
108	312C35-0	SPRING HOLDER C		1		dr
110	183Y26-8	HANDLE SET		1		rukoje
C10	8040V4-6	XGT LOGO LABEL		1		
110		INC. 69				
111	136926-1	HOSE COVER ASS'Y		1		kryt hadice =old 413C 69-7
C10	263005-3	vymezovací čep 6		2		
112	266326-2	šroub 4x18=new265995-6		2		
113	424788-2	DAMPER		1		tlumi
114	312C32-6	STAND SUPPORT		1		podp
115	266021-4	šroub Pt 5x20		2		
116	422823-0	REAR FOOT		2		zadn
117	413N25-3	CLAMP BASE		1		dr
118	266326-2	šroub 4x18=new265995-6		2		
119	347916-1	BOTTOM GUARD		1		chr
120	922233-6	H.S.H.BOLT M5X20 WITH WR		2		
121	266326-2	šroub 4x18=new265995-6		2		
122	413C70-2	MOTOR HOUSING		1		sk
123	266490-9	TAPPING SCREW PT 2X6		3		
124	687B69-9	STOPPER		1		zar
125	620E26-2	CONTROLLER B		1		ovl
126	652031-1	PAN HEAD SCREW M3X6		3		
127	632T19-7	LEAD UNIT		1	*	vedouc
127-1	632T58-7	LEAD UNIT	<	1		ovl
128	629A92-2	STATOR		1		stator
129	459144-7	BAFFLE PLATE		1		deska
130	266326-2	šroub 4x18=new265995-6		2		
131	210059-1	BALL BEARING 6000DDW		1		
132	519717-9	ROTOR ASS'Y		1	*	rotor
132		INC. 131			*	
132-1	519717-9	ROTOR ASS'Y	O	1		rotor

132-1		INC. 131				
133	962211-4	Retaining Ring R-42		1		
134	253545-9	FLAT WASHER 28		1		podlo
135	267212-0	podložka 6953		1		podlo
136	211132-0	kuličkové ložisko 6301DDW		1		kuli
137	262085-6	gumový kroužek 38 9077SF/GA7 020-9		1		gumov
138	141G44-4	GEAR HOUSING COMPLETE		1		obal p
C10	263002-9	vymezovací čep 4		1		
139	266021-4	šroub Pt 5x20		4		
140	922343-9	H.S.H.BOLT M6X25 WITH WR		4		
141	227921-3	SPIRAL BEVEL GEAR 15		1		ozuben
142	252178-7	matka M8x12 4112HS		1		matka M8x12 4112H S
143	422821-4	SPONGE SHEET		1		p
144	265620-9	TAPPING SCREW FLANGE 4X18		1		
145	620H50-3	LED CIRCUIT		1		led okruh
146	183U88-2	MOTOR HOUSING COVER SET		1		obal motoru
146		INC. 149				
147	620K97-5	CONTROLLER		1		elektronika CE002G
148	266326-2	šroub 4x18=new265995-6		5		
149	183U88-2	MOTOR HOUSING COVER SET		1		obal motoru
149		INC. 146				
150	922343-9	H.S.H.BOLT M6X25 WITH WR		5		
151	8585M0-3	CE002G SERIAL NO. LABEL		1		
152	8585L3-0	CE002G NAME PLATE		1		
A01	191W53-9	RING SET		1		
A02	413N26-1	HOSE CLAMP 40		1		
A03	413P08-5	HOSE CLAMP 46		1		
A04	782037-6	BOX WRENCH 13-19		1		
A05	D-56998	LASER DIAMOND WHEEL SEGME NTED		1		
A06	198900-7	WIRELESS UNIT SET		1	*	
A06-1	198900-7	WIRELESS UNIT SET	O	1		

Prosím uveďte objednáč. číslo dílu v objednávce

Datum tisku 17. 10. 2024