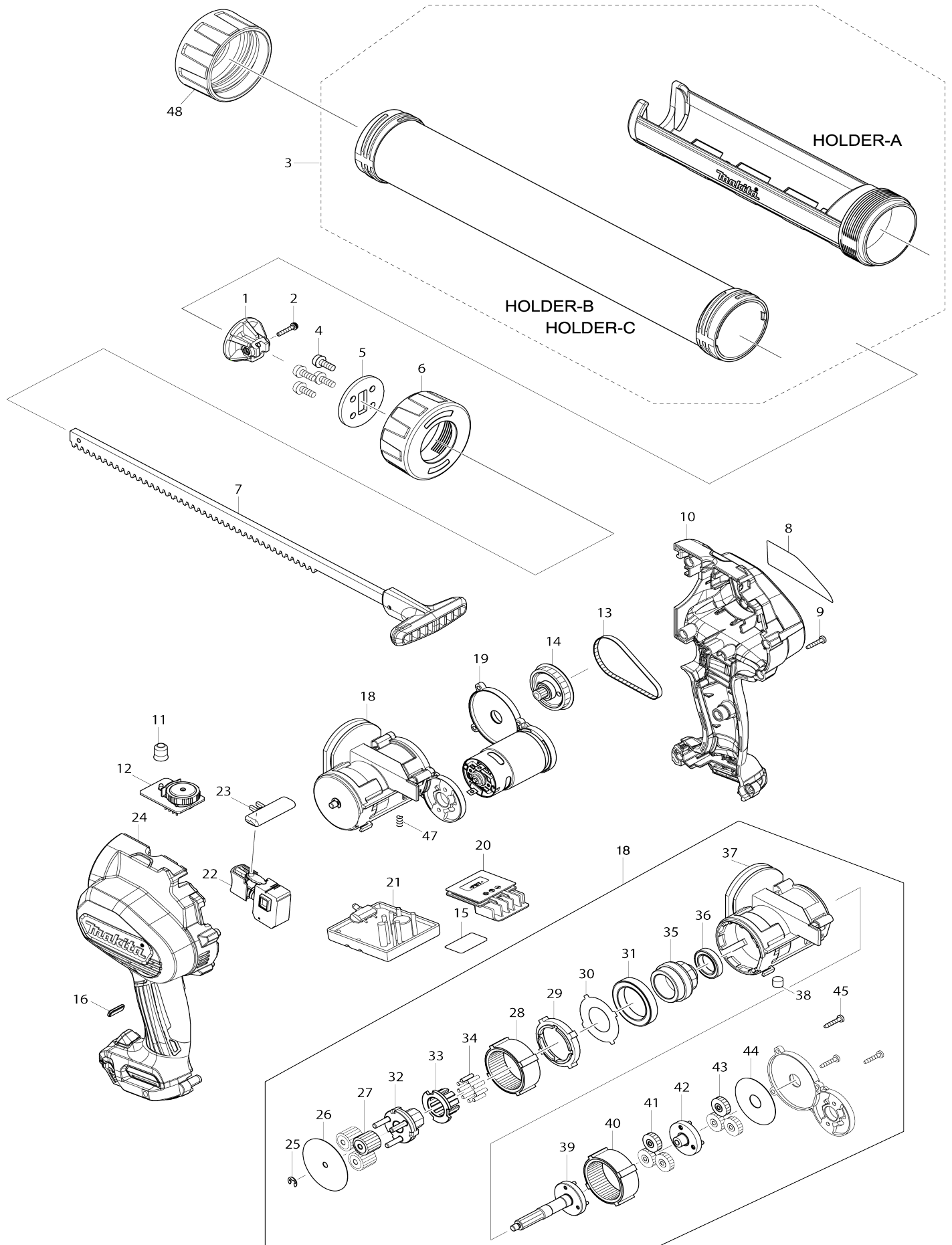


Model No.CG100D CORDLESS CAULKING GUN



Model No.CG100D CORDLESS CAULKING GUN

Obj. č.	Obj. č.	Popis	Možn ost zá měny	Množ ství	Nový/ Starý	Poznámka 1	Poznámka 2
001	142071-2	PISTON A COMPLETE		1		p	
002	266827-0	PAN HEAD SCREW M3X18 WITH WR		1			
003	454275-7	HOLDER A		1		plastov	
004	265074-0	PAN HEAD SCREW M5X16		4			
005	346649-5	PLATE		1		deska CG100 DCG140 DCG180	
006	454223-6	HOLDER JOINT A		1		matice	
007	142041-1	RACK 42 COMPLETE		1		ozuben	
008	853537-8	CG100D NAME PLATE		1	*		
008-1	853536-0	CG100D NAME PLATE	<	1			
009	266429-2	TAPPING SCREW 3X16		9	*		
009-1	266130-9	šroub PT 3X	O	9			
010	183H54-1	HOUSING SET		1			
C10	252126-6	HEX. LOCK NUT M4-7		2		matka	
010		INC. 24					
011	418821-0	LENS		1		kryt CG100D DCG180	
012	620180-2	SUB CONTROLLER		1		ovl	
013	225097-0	SYNCHRO BELT 4-176		1			
014	142038-0	SPUR GEAR 9A COMPLETE		1		ozuben	
015	853538-6	CG100D SERIAL NO. LABEL		1			
016	454230-9	LENS		1		kryt CG100 DCG180	
018	126253-4	GEAR ASSEMBLY		1		p	
018		INC. 25-45					
019	144848-1	MOTOR COMPLETE		1			
020	644813-5	TERMINAL		1		terminal	
021	632K96-5	CONTROLLER UNIT		1			
C10	620762-0	LED CIRCUIT		1			
C20	688172-7	LINE FILTER		1	*	filtr	
C21	688172-7	LINE FILTER	O	1		filtr	
022	650632-9	vypínač BTD133		1		vyp	
023	451162-1	LOCK LEVER		1		p	
024	183H54-1	HOUSING SET		1			
C10	252126-6	HEX. LOCK NUT M4-7		2		matka	
024		INC. 10					
025	961011-9	zajišťovací kroužek		1		zaji	
026	267465-1	FLAT WASHER 5		1			
027	227311-0	SPUR GEAR 19B		3			
028	227309-7	INTERNAL GEAR 48		1			
029	144375-8	SPACER COMPLETE		1			
030	346721-3	PLATE 23		1			
031	211294-4	ložisko		1		lo	
032	141860-2	CARRIER A COMPLETE		1			
033	313253-5	CARRIER B		1			
034	256255-7	PIN 3		9			
035	227312-8	SPUR GEAR 10		1			
036	211482-3	BALL BEARING 6803LLU		1			
037	454219-7	GEAR HOUSING		1			
038	313257-7	MAGNET		1			

039	141859-7	SPUR GEAR 9C COMPLETE		1		
040	227309-7	INTERNAL GEAR 48		1		
041	227310-2	SPUR GEAR 19A		3		
042	141858-9	SPUR GEAR 9B COMPLETE		1		
043	227310-2	SPUR GEAR 19A		3		
044	267466-9	FLAT WASHER 12		1		
045	266429-2	TAPPING SCREW 3X16		3	*	
045-1	266130-9	šroub PT 3X	O	3		
047	234315-5	COMPRESSION SPRING 6		1		
A01	195246-2	SAFETY GOGGLE		1	*	
A02	821710-4	PLASTIC CASE		1		
C10	162271-8	přezka kufru		2		
A03	***DC10SA	DC10SA BATTERY CHARGER		1	*	
A03		COMPO-PARTS			*	
A03-1	***DC10SB	DC10SB BATTERY CHARGER	<	1		
A03-1		COMPO-PARTS				
A04	197394-3	BATTERY BL1020B SET		1	*	
A04-1	197396-9	BATTERY BL1021B SET	<	1	*	
A04-2	197396-9	BATTERY BL1021B SET	O	1		
A05	456128-6	BATTERY COVER		1		
F01	196351-8	HOLDER A SET		1		
F02-1	1911T4-0	HOLDER B SET	O	1		
F03	197195-9	HOLDER C SET(TYPE 1)		1		
F04	197444-4	BATTERY BL1020B SET(2PIECES)		1	*	
F05	197530-1	BATTERY BL1015 SET(2PIECES)		1	*	
F08	198968-3	BATTERY BL1016 SET		1	*	
F09	198969-1	BATTERY BL1016 SET (2PIECES)		1	*	
F10-1	198970-6	BATTERY BL1021B SET (2PIECES)	O	1	*	
F11-1	199002-2	BATTERY BL1041B SET (2PIECES)	O	1	*	
F16-1	1911T5-8	HOLDER D SET	O	1		

Prosím uveďte objednací číslo dílu v objednávce

Datum tisku 17. 10. 2024