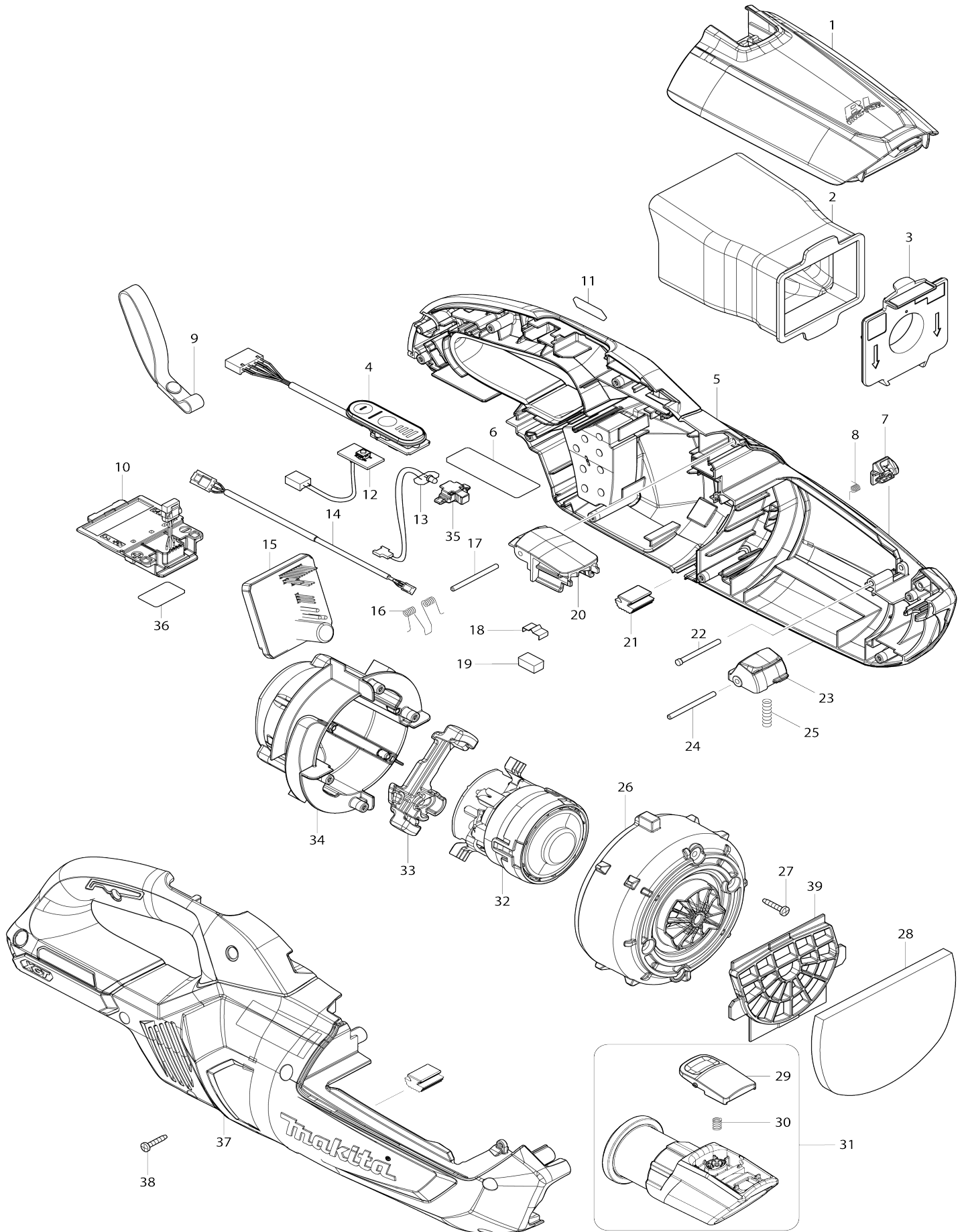


Model No.CL002G CORDLESS CLEANER



Model No.CL002G CORDLESS CLEANER

Obj. č.	Obj. č.	Popis	Možn ost zá měny	Množ ství	Nový/ Starý	Poznámka 1	Poznámka 2
001	141F22-8	FRONT COVER COMPLETE		1		p	
C10	424093-7	SEAL		1			
002	198749-5	EASY SHAKE OFF DUST BAG SET EU		1	*		
002-1	1910M4-5	HIGH PERFORMANCE DUST BAG SET	<	1			
003	140K23-3	VALVE STAY COMPLETE		1		ulo	
004	141B54-1	INDICATION CIRCUIT COMPLETE		1		okruh	
C10	8031J2-9	SWITCH LABEL		1			
005	183U76-9	HOUSING SET		1		obal	
C10	263005-3	vymezovací čep 6		2			
C20	422714-5	SPONGE SEAT		2			
005		INC. 21,37					
006	8115A3-4	CL002G NAME PLATE		1			
007	459352-0	STOPPER PLATE		1		deska	
008	232484-6	TORSION SPRING 4		1		pru	
010	632P65-6	TERMINAL UNIT		1		termin	
011	8005T5-8	XGT LOGO LABEL		1			
012	620E74-1	SWITCH UNIT		1		vyp	
013	620E82-2	LED CIRCUIT		1		led obvod = old 620E 82-2	
014	632S32-9	LEAD UNIT		1		elektronika	
015	620E90-3	CONTROLLER		1		ovl	
016	233580-3	TORSION SPRING 4		1			
017	268271-7	PIN 3		1			
018	232264-0	LEAF SPRING		1			
019	424367-6	RUBBER		1			
020	459350-4	FRONT COVER JOINT		1		spojka	
021	422460-0	RUBBER PLATE		2		gumov	
022	256590-3	FLAT FILLISTER HD. PIN 3		1			
023	459348-1	BUTTON B		1		tla	
024	268271-7	PIN 3		1			
025	233344-5	pružina		1		pru	
026	413645-9	MOTOR COVER F		1		kryt motoru	
027	266429-2	TAPPING SCREW 3X16		4			
028	424804-0	SPONGE SHEET 76-110		1		419022 CL104=old42 3287-1	
029	413F33-6	BUTTON C		1		tla	
030	232485-4	COMPRESSION SPRING 5		1		pru	
031	136587-7	INLET ASS'Y		1		vlo	
C10	424094-5	PACKING		1		obal	
031		INC. 29,30					
032	629A46-9	MOTOR ASSEMBLY		1		d	
033	422723-4	MOTOR COVER SEAL		1		t	
034	141E55-7	MOTOR COVER R COMPLETE		1		kryt motoru	
C10	263002-9	vymezovací čep 4		4			
035	141H09-2	LED CASE COMPLETE		1		pouzdro	
036	8115A9-2	CL002G SERIAL NO. LABEL		1			
037	183U76-9	HOUSING SET		1		obal	

C10	263005-3	vymezovací čep 6		2		
C20	422714-5	SPONGE SEAT		2		
037		INC. 5,21				
038	266429-2	TAPPING SCREW 3X16		9		
039	413J77-0	GUARD		1	chr	
A01	127827-4	NOZZLE ASSEMBLY		1		
C10	451410-8	ROLLER		4		
C20	268208-4	PIN 3		4		
C30	422963-4	WIPER		1		
A02	413859-0	SASH NOZZLE		1		
A03	459355-4	NOZZLE HOLDER		1		
A04	459356-2	PIPE		1		
A09	194566-1	papírový filtr 5 ks		1	*	
A09-1	198745-3	PAPER FILTER SET	O	1		
A10	***DC40RA	DC40RA FAST CHARGER		1		
A10		COMPO-PARTS				
A11	191B36-3	BATTERY BL4025 SET		2		
A12	412393-7	BATTERY COVER		2		
E01	688163-8	filtr		1		filtr AH3756 DCU180 DHS630 DHS710 DLM 460 DSS610 DTW190 DUH551 DUH651
F03	198747-9	DUST BAG SET EU		1		
F12	191D76-3	STRAIGHT PIPE SET 340		1		
F13	1910M4-5	HIGH PERFORMANCE DUST BAG SET		1		
F88	191X06-4	NOZZLE ASSEMBLY SET		1		
F92	1911L1-0	CLEANER STAND SET		1		

Prosím uveďte objednáč. číslo dílu v objednávce

Datum tisku 17. 10. 2024