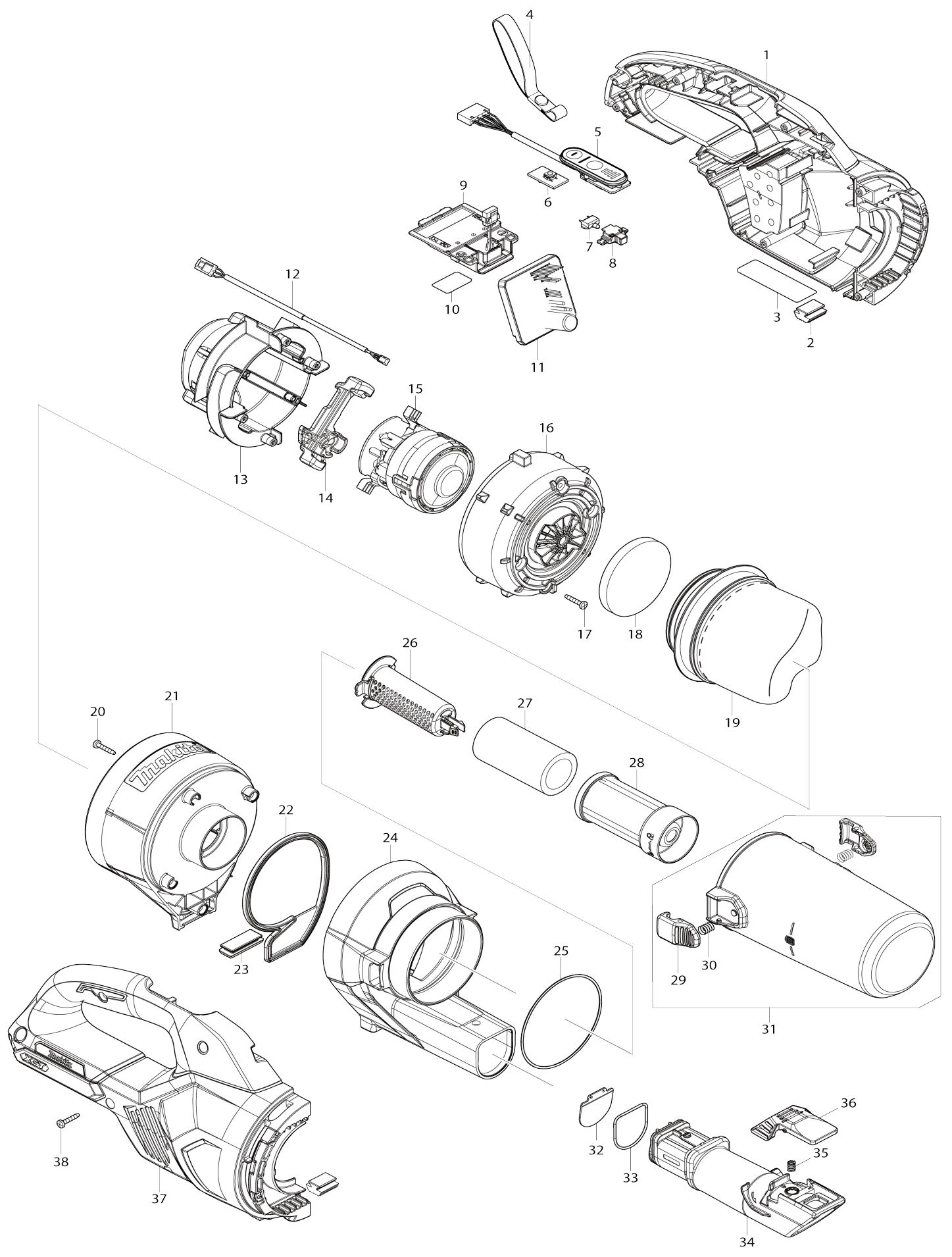


Model No.CL003G CORDLESS CLEANER



Model No.CL003G CORDLESS CLEANER

Obj. č.	Obj. č.	Popis	Možnost záměny	Množství	Nový/Starý	Poznámka 1	Poznámka 2
001	183W54-1	HOUSING SET		1		obal CL003G	
C10	263005-3	vymezovací čep 6		2			
C20	422714-5	SPONGE SEAT		2			
C30	8005T5-8	XGT LOGO LABEL		1			
001		INC. 2,37					
002	422460-0	RUBBER PLATE		2		gumov	
003	858F40-6	CL003G NAME PLATE		1			
005	141B54-1	INDICATION CIRCUIT COMPLETE		1		okruh	
C10	8031J2-9	SWITCH LABEL		1			
006	620E74-1	SWITCH UNIT		1		vyp	
007	620E82-2	LED CIRCUIT		1		led obvod = old 620E82-2	
008	141H09-2	LED CASE COMPLETE		1		pouzdro	
009	632P65-6	TERMINAL UNIT		1		termin	
010	858F47-2	CL003G SERIAL NO. LABEL		1			
011	620E90-3	CONTROLLER		1		ovl	
012	632S32-9	LEAD UNIT		1		elektronika	
013	141E55-7	MOTOR COVER R COMPLETE		1		kryt motoru	
C10	263002-9	vymezovací čep 4		4			
014	422723-4	MOTOR COVER SEAL		1		t	
015	629A46-9	MOTOR ASSEMBLY		1		d	
016	413645-9	MOTOR COVER F		1		kryt motoru	
017	266429-2	TAPPING SCREW 3X16		4			
018	422909-0	SPONGE SHEET 62		1		t	
019	1910C7-9	HIGH PERFORMANCE FILTER SET		1			
020	266429-2	TAPPING SCREW 3X16		4			
021	413H34-6	FILTER HOUSING		1		kryt motoru CL003G	
022	422884-0	SEAL		1		t	
023	422885-8	RUBBER PLATE		1		gumov	
024	413H35-4	FRONT HOUSING		1		p	
025	213884-9	O RING 72		1		o krou	
026	413H21-5	MESH PIPE		1		d	
027	422908-2	SPONGE FILTER		1		d	
028	413H29-9	PREFILTER		1		d	
029	459106-5	STOPPER		2		doraz	
030	232460-0	COMPRESSION SPRING 7		2		pru	
031	136713-8	DUST BOX ASSEMBLY		1		d	
031		INC. 29,30					
032	422886-6	VALVE		1		klapka CL003G	
033	213837-8	O-RING 29		1		o krou	
034	413H36-2	INLET		1		dr	
035	232485-4	COMPRESSION SPRING 5		1		pru	
036	413H20-7	LEVER		1		p	
037	183W54-1	HOUSING SET		1		obal CL003G	
C10	263005-3	vymezovací čep 6		2			
C20	422714-5	SPONGE SEAT		2			
C30	8005T5-8	XGT LOGO LABEL		1			
037		INC. 1,2					

038	266429-2	TAPPING SCREW 3X16		7		
A01	127827-4	NOZZLE ASSEMBLY		1		
C10	451410-8	ROLLER		4		
C20	268208-4	PIN 3		4		
C30	424096-1	WIPER		1	*	
C31	422963-4	WIPER	O	1		
A02	413859-0	SASH NOZZLE		1		
A03	459355-4	NOZZLE HOLDER		1		
A04	459356-2	PIPE		1		
F06	1910D3-4	CYCLONE UNIT SET		1		
F07	1910D4-2	CYCLONE UNIT SET		1		
F08	1910D5-0	CYCLONE UNIT SET		1		
F18	191E30-3	FLEXIBLE HOSE SET(LOCK)		1		
F25	198538-8	SHELF BRUSH SET28 BLU		1		
F26	198540-1	SHELF BRUSH SET28 BLK EU		1		
F41	1910C7-9	HIGH PERFORMANCE FILTER SET		1		
F42	1910C9-5	FILTER H SET		1		
F44	198990-0	LONG SASH NOZZLE SET 28 BLU		1		
F47	199039-9	SEAT NOZZLE SET 28 BLK		1		
F48	199041-2	SEAT NOZZLE SET 28 BLU		1		
F52	199901-8	TOOL BAG SET		1		
F88	191X06-4	NOZZLE ASSEMBLY SET		1		
F92	1911L1-0	CLEANER STAND SET		1		

Prosím uveďte objednáč. číslo dílu v objednávce

Datum tisku 17. 10. 2024