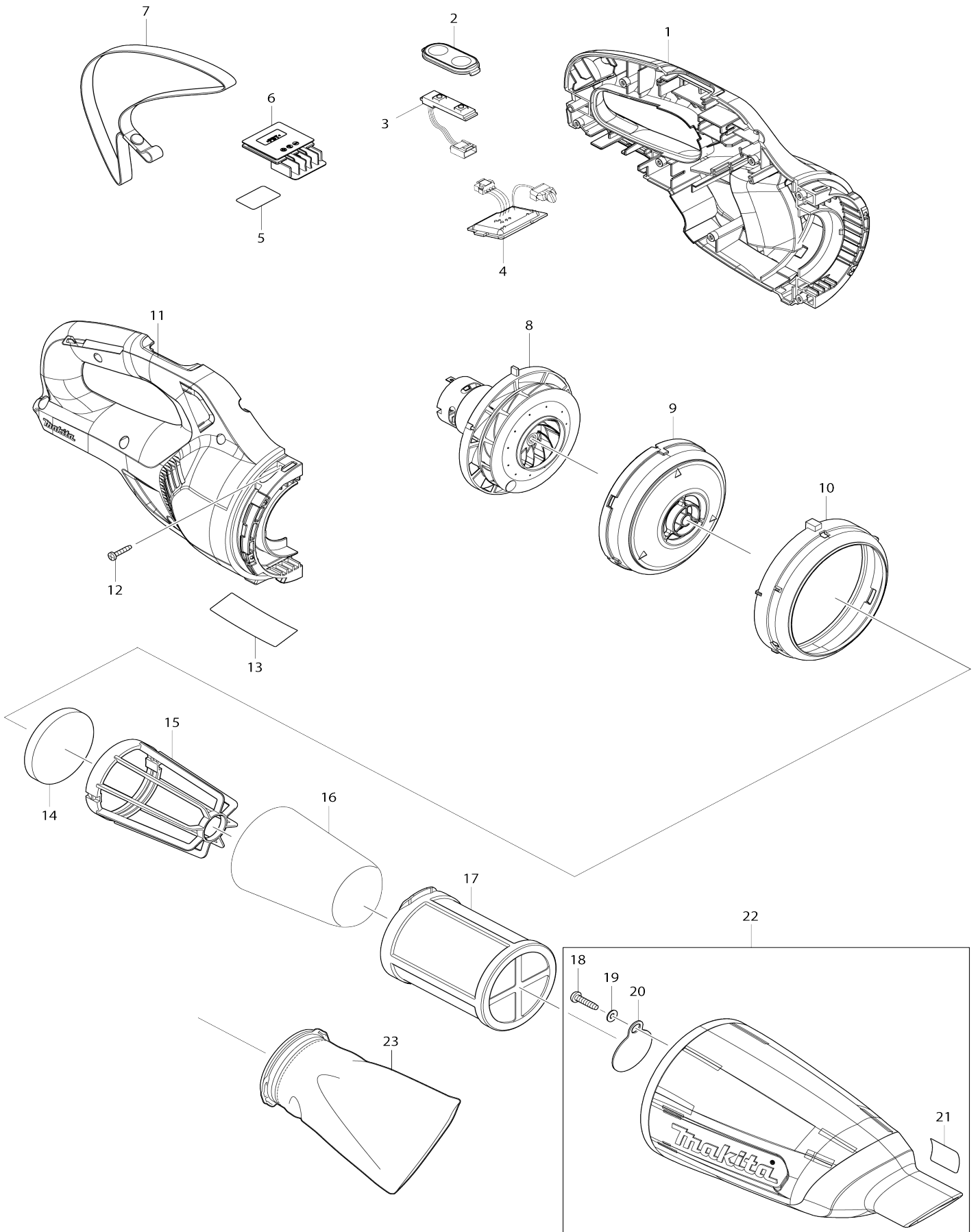


Model No.CL108FD CORDLESS CLEANER



Model No.CL108FD CORDLESS CLEANER

Obj. č.	Obj. č.	Popis	Možnost záměny	Množství	Nový/ Starý	Poznámka 1	Poznámka 2
001-1	183T11-1	HOUSING SET		1			
C10	424913-5	SPONGE SHEET 35-70		2		p	
001-1		INC. 11					
002	144096-2	SWITCH PLATE COMPLETE		1			
003	631973-2	SWITCH UNIT		1		vyp	
004-1	632R95-9	CONTROLLER UNIT		1		elektronika=old632N 07-8	
C11	620E97-9	LED CIRCUIT		1			
C30	654086-2	RECEPTACLE		2			
005	854T81-4	CL108FD SERIAL NO. LABEL		1			
006	644813-5	TERMINAL		1		terminal	
008	126846-7	MOTOR ASSEMBLY		1		motor	
009	458834-9	FAN COVER		1		kryt	
010	422377-7	RUBBER RING		1		krou	
011-1	183T11-1	HOUSING SET		1			
C10	424913-5	SPONGE SHEET 35-70		2		p	
011-1		INC .1					
012	266429-2	TAPPING SCREW 3X16		7			
013	854T75-9	CL108FD NAME PLATE		1			
014	422268-2	SPONGE SHEET 57		1		filtr motoru	
015	458467-0	STAY		1		dr	
016	443060-3	filtr		1		p	
017	451208-3	předfiltr		1			
018	266326-2	šroub 4x18=new265995-6		1	*		
018-1	251530-6	TAPPING SCREW 4X18	S	1			
019	941051-3	Flat Washer 4		1	*	podlo	
020	424208-6	VALVE		1		ventil BCL180Z	
021	809293-4	INDICATION LABEL		1			
022	141D85-2	CAPSULE COMPLETE		1			
022		INC. 18-21			*		
022		INC. 18,20,21					
A01	123843-4	FLOOR T-NOZZLE 28 PNK		1			
C10	451410-8	ROLLER		4			
C20	268208-4	PIN 3		4			
C30	424096-1	WIPER		1	*		
C31	422963-4	WIPER	O	1			
A02	457228-5	SASH NOZZLE 28 PNK		1	*		
A02-1	413862-1	SASH NOZZLE	O	1			
A03	457231-6	PIPE 465-28 PNK		1			
A04	457229-3	SASH NOZZLE HOLDER		1			
A05	456128-6	BATTERY COVER		1			
A06	***DC10SB	DC10SB BATTERY CHARGER		1			
A06		COMPO-PARTS					
A07	197396-9	BATTERY BL1021B SET		1			
F09	198527-3	FLOOR/CARPET T-NOZZLE BLU		1			
F12	198538-8	SHELF BRUSH SET28 BLU		1			
F14	191496-7	hadice		1		hadice 430mm na ak u vysdava	
F15	198545-1	FLEXIBLE HOSE SET28(BLU)		1			

F18	198552-4	ROUND BRUSH SET 28 IVO		1		
F19	198553-2	ROUND BRUSH SET 28 BLU		1		
F21	198751-8	PRE FILTER SET EU		1		
F23	198753-4	EASY SHAKE OFF FILTER SET		1		
F25	198868-7	FLEXIBLE HOSE SET28(WHI)		1		
F27	198873-4	SHELF BRUSH SET28 WHI		1		
F29	198878-4	ROUND BRUSH SET 28 WHI		1		
F31	198915-4	FILTER SET		1		
F33	198919-6	LONG SASH NOZZLE SET 28 WHI		1		
F34-1	199039-9	SEAT NOZZLE SET 28 BLK	O	1		
F36	198990-0	LONG SASH NOZZLE SET 28 BLU		1		
F38	198992-6	LONG SASH NOZZLE SET 28 BLK		1		
F40	199038-1	SEAT NOZZLE SET 28 WHI		1		
F42	199041-2	SEAT NOZZLE SET 28 BLU		1		
F52	199491-1	CYCLONE ATTACHMENT SET		1		
F54	199439-3	CREVICE NOZZLE 415 SET		1		
F57	191D75-5	CYCLONE ATTACHMENT SET		1		
F59	191D80-2	STRAIGHT PIPE SET 320		1		
F92	1911L1-0	CLEANER STAND SET		1		

Prosím uveďte objednáací číslo dílu v objednávce

Datum tisku 17. 10. 2024