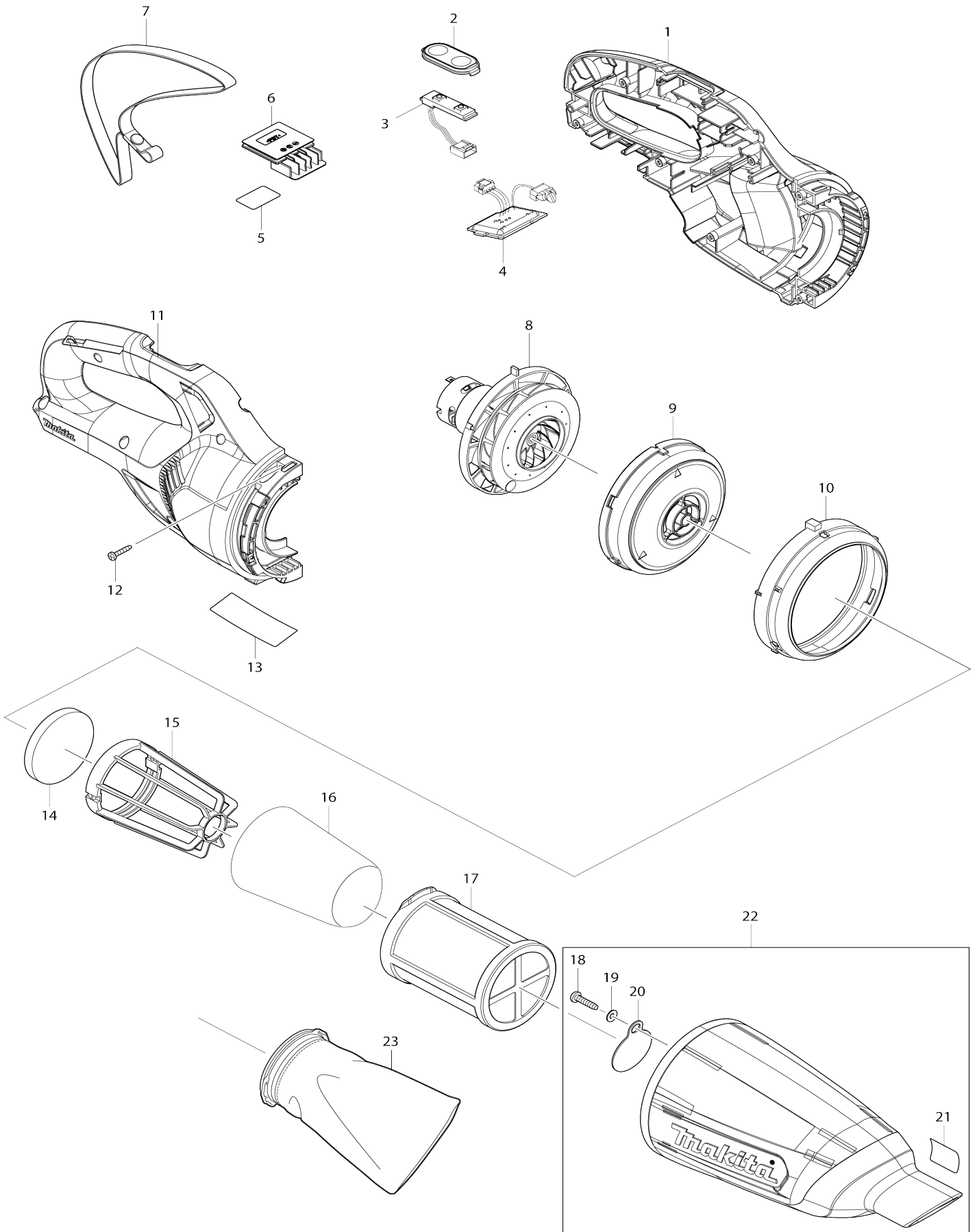


Model No.CL108FD CORDLESS CLEANER



Model No.CL108FD CORDLESS CLEANER

Obj. č.	Obj. č.	Popis	Možn ost zá měny	Množ ství	Nový/ Starý	Poznámka 1	Poznámka 2
001	183K49-2	HOUSING SET		1	*	obal zelen	
C10	424913-5	SPONGE SHEET 35-70		2	*	p	
001		INC. 11			*		
001-1	183L99-3	HOUSING SET	O	1			
C10	424913-5	SPONGE SHEET 35-70		2		p	
001-1		INC. 11					
002	144096-2	SWITCH PLATE COMPLETE		1			
003	631973-2	SWITCH UNIT		1		vyp	
004	632N07-8	CONTROLLER UNIT		1	*	elektronika=new632R 95-9	
C10	620601-4	LED CIRCUIT		1	*		
004-1	632R95-9	CONTROLLER UNIT	<	1		elektronika=old632N 07-8	
C11	620E97-9	LED CIRCUIT	<	1			
C30	654086-2	RECEPTACLE		2			
005	854T81-4	CL108FD SERIAL NO. LABEL		1			
006	644813-5	TERMINAL		1		terminal	
008	126846-7	MOTOR ASSEMBLY		1		motor	
009	458834-9	FAN COVER		1		kryt	
010	422377-7	RUBBER RING		1		krou	
011	183K49-2	HOUSING SET		1	*	obal zelen	
C10	424913-5	SPONGE SHEET 35-70		2	*	p	
011		INC. 1			*		
011-1	183L99-3	HOUSING SET	O	1			
C10	424913-5	SPONGE SHEET 35-70		2		p	
011-1		INC. 1					
012	266429-2	TAPPING SCREW 3X16		7			
013	854T75-9	CL108FD NAME PLATE		1			
014	422268-2	SPONGE SHEET 57		1		filtr motoru	
015	458467-0	STAY		1		dr	
016	443060-3	filtr		1		p	
017	451208-3	předfiltr		1			
018	265995-6	šroub 4x18 = old 265941-9		1	*		
018-1	266326-2	šroub 4x18=new265995-6	O	1	*		
018-2	251530-6	TAPPING SCREW 4X18	S	1			
019	941051-3	Flat Washer 4		1	*	podlo	
020	424208-6	VALVE		1		ventil BCL180Z	
021	809293-4	INDICATION LABEL		1			
022	140G25-5	CAPSULE COMPLETE		1		box zelen	
022		INC. 18-21			*		
022		INC. 18,20,21					
A01	123488-8	FLOOR T-NOZZLE 28 BLU		1			
C10	451410-8	ROLLER		4			
C20	268208-4	PIN 3		4			
C30	424096-1	WIPER		1	*		
C31	422963-4	WIPER	O	1			
A02	451243-1	štěrbinová hubice		1	*		
A02-1	413859-0	SASH NOZZLE	O	1			
A03	451244-9	PIPE		1			

A04	451245-7	SASH NOZZLE HOLDER		1			
A05	456128-6	BATTERY COVER		1			
A06	***DC10WD	DC10WD BATTERY CHARGER		1			
A06		COMPO-PARTS					
A07	197396-9	BATTERY BL1021B SET		1	*		
A07-1	197396-9	BATTERY BL1021B SET	O	1			
F09	198527-3	FLOOR/CARPET T-NOZZLE BLU		1			
F12	198538-8	SHELF BRUSH SET28 BLU		1			
F14	191496-7	hadice		1		hadice 430mm na ak u vysdava	
F15	198545-1	FLEXIBLE HOSE SET28(BLU)		1			
F18	198552-4	ROUND BRUSH SET 28 IVO		1			
F19	198553-2	ROUND BRUSH SET 28 BLU		1			
F21	198751-8	PRE FILTER SET EU		1			
F23	198753-4	EASY SHAKE OFF FILTER SET		1			
F25	198868-7	FLEXIBLE HOSE SET28(WHI)		1			
F27	198873-4	SHELF BRUSH SET28 WHI		1			
F29	198878-4	ROUND BRUSH SET 28 WHI		1			
F31	198915-4	FILTER SET		1			
F33	198919-6	LONG SASH NOZZLE SET 28 WHI		1			
F34-1	199039-9	SEAT NOZZLE SET 28 BLK	O	1			
F36	198990-0	LONG SASH NOZZLE SET 28 BLU		1			
F38	198992-6	LONG SASH NOZZLE SET 28 BLK		1			
F40	199038-1	SEAT NOZZLE SET 28 WHI		1			
F42	199041-2	SEAT NOZZLE SET 28 BLU		1			
F52	199491-1	CYCLONE ATTACHMENT SET		1			
F54	199439-3	CREVICE NOZZLE 415 SET		1			
F57	191D75-5	CYCLONE ATTACHMENT SET		1			
F59	191D80-2	STRAIGHT PIPE SET 320		1			
F92	1911L1-0	CLEANER STAND SET		1			

Prosím uveďte objednáací číslo dílu v objednávce

Datum tisku 17. 10. 2024