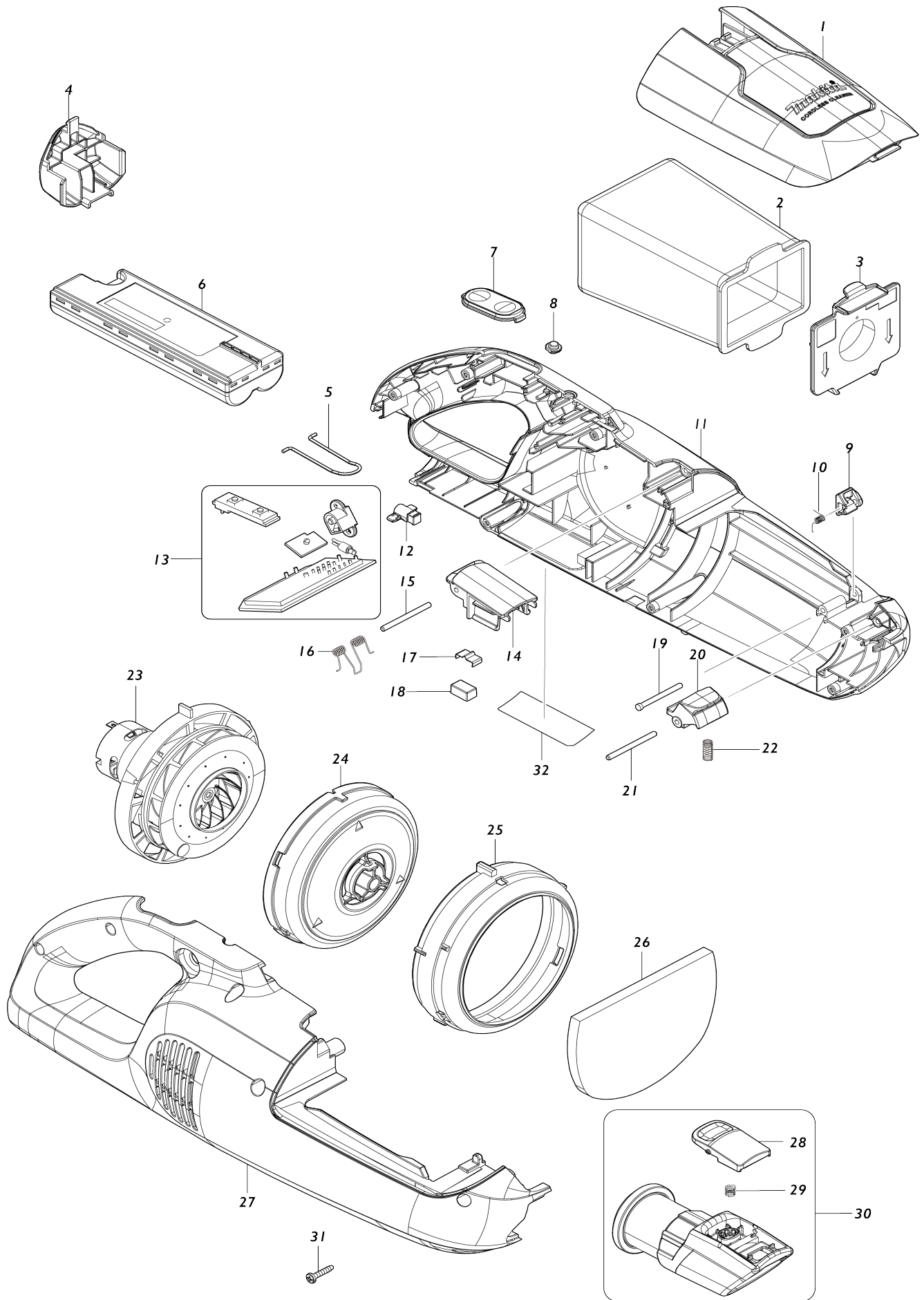


Model No.CL114FD CORDLESS CLEANER



Model No.CL114FD CORDLESS CLEANER

| Obj. č. | Obj. č. | Popis | Možnost záměny | Množství | Nový/ Starý | Poznámka 1 | Poznámka 2 |
|---------|----------|--------------------------|-------------------|----------|----------------|-------------------------------------|------------|
| 001 | 140W12-0 | FRONT COVER COMPLETE | | 1 | | p | |
| C10 | 458927-2 | SEAL | | 1 | | | |
| 002 | 166119-6 | EASY SHAKE OFF DUST BAG | | 1 | | | |
| 003 | 143677-9 | VALVE STAY COMPLETE | | 1 | | dr | |
| 004 | 454080-2 | COVER | | 1 | | | |
| 005 | 324885-3 | HANGER | | 1 | | | |
| 006 | 632R12-9 | BATTERY | | 1 | | | |
| 007 | 144096-2 | SWITCH PLATE COMPLETE | | 1 | | | |
| 008 | 450522-4 | LENS | | 1 | | | |
| 009 | 458943-4 | STOPPER PLATE | | 1 | | | |
| 010 | 232484-6 | TORSION SPRING 4 | | 1 | | pru | |
| 011 | 183R32-1 | HOUSING SET | | 1 | | obal CL114FD | |
| C10 | 423444-1 | SPONGE SHEET 52-76 | | 2 | | | |
| 011 | | INC. 27 | | | | | |
| 012 | 140K40-3 | LENS CASE COMPLETE | | 1 | | osv | |
| 013 | 620D45-2 | CONTROLLER | | 1 | * | elektronika CL114FD =new620J03-4 | |
| C10 | 688164-6 | LINE FILTER | | 1 | * | | |
| 013-1 | 620J03-4 | CONTROLLER | < | 1 | | ovlada | |
| C10 | 688164-6 | LINE FILTER | | 1 | | | |
| 014 | 458932-9 | FRONT COVER JOINT | | 1 | | kryt s | |
| 015 | 268271-7 | PIN 3 | | 1 | | | |
| 016 | 233580-3 | TORSION SPRING 4 | | 1 | | | |
| 017 | 232264-0 | LEAF SPRING | | 1 | | | |
| 018 | 424367-6 | RUBBER | | 1 | | | |
| 019 | 256590-3 | FLAT FILLISTER HD. PIN 3 | | 1 | | | |
| 020 | 458933-7 | BUTTON B | | 1 | | p | |
| 021 | 268271-7 | PIN 3 | | 1 | | | |
| 022 | 233344-5 | pružina | | 1 | | pru | |
| 023 | 127090-9 | MOTOR ASSEMBLY | | 1 | | motor CL114FD | |
| 024 | 459035-2 | FAN COVER | | 1 | | ventil | |
| 025 | 422421-0 | RUBBER RING | | 1 | | krou | |
| 026 | 424804-0 | SPONGE SHEET 76-110 | | 1 | | 419022 CL104=old42 3287-1 | |
| 027 | 183R32-1 | HOUSING SET | | 1 | | obal CL114FD | |
| C10 | 423444-1 | SPONGE SHEET 52-76 | | 2 | | | |
| 027 | | INC. 11 | | | | | |
| 028 | 458939-5 | BUTTON A | | 1 | | aretace=new413F33- 6 | |
| 029 | 232485-4 | COMPRESSION SPRING 5 | | 1 | | pru | |
| 030 | 136033-0 | INLET ASSY | | 1 | | vstup komplet CL114 FD | |
| C10 | 424094-5 | PACKING | | 1 | | obal | |
| 030 | | INC. 28,29 | | | | | |
| 031 | 266130-9 | šroub PT 3X | | 8 | | | |
| 032 | 857R57-8 | CL114FD NAME PLATE | | 1 | | | |
| A01 | 198755-0 | NOZZLE ASSEMBLY SET | | 1 | * | | |
| C10 | 451410-8 | ROLLER | | 4 | * | | |
| C20 | 743108-4 | BRUSH 205 | | 1 | * | | |

| | | | | | | |
|-------|-----------|-------------------------------|---|---|---|-----------------------------|
| A01-1 | 198149-9 | FLOOR/CARPET T-NOZZLE IVO | < | 1 | | |
| A02 | 194566-1 | papírový filtr 5 ks | | 1 | * | |
| A02-1 | 198745-3 | PAPER FILTER SET | O | 1 | | |
| A03 | 416041-0 | nástavec | | 1 | * | hubice |
| A03-1 | 413769-1 | SASH NOZZLE | O | 1 | | |
| A04 | 458940-0 | PIPE | | 1 | | |
| A05 | 459036-0 | NOZZLE HOLDER | | 1 | | |
| A06 | ***DC1002 | DC1002 BATTERY CHARGER | | 1 | | |
| F04 | 191D71-3 | CYCLONE ATTACHMENT SET (LOCK) | | 1 | | |
| F05 | 191D76-3 | STRAIGHT PIPE SET 340 | | 1 | | |
| F06 | 191E30-3 | FLEXIBLE HOSE SET(LOCK) | | 1 | | |
| F07 | 191496-7 | hadice | | 1 | | hadice 430mm na aku vysdava |
| F08 | 194565-3 | PAPER FILTER(10PCS) | | 1 | | |
| F12 | 198537-0 | SHELF BRUSH SET28 IVO EU | | 1 | | |
| F14 | 198552-4 | ROUND BRUSH SET 28 IVO | | 1 | | |
| F16 | 198560-5 | TELESCOPIC PIPE SET 28 EU | | 1 | | |
| F17 | 198744-5 | PAPER FILTER SET | | 1 | | |
| F18 | 198745-3 | PAPER FILTER SET | | 1 | | |
| F20 | 198747-9 | DUST BAG SET EU | | 1 | | |
| F23 | 198919-6 | LONG SASH NOZZLE SET 28 WHI | | 1 | | |
| F24 | 199038-1 | SEAT NOZZLE SET 28 WHI | | 1 | | |
| F25 | 199439-3 | CREVICE NOZZLE 415 SET | | 1 | | |
| F26 | 199971-7 | HOLDER SET | | 1 | | |
| F88 | 191X06-4 | NOZZLE ASSEMBLY SET | | 1 | | |
| F92 | 1911L1-0 | CLEANER STAND SET | | 1 | | |

Prosím uveďte objednáč. číslo dílu v objednávce

Datum tisku 17. 10. 2024