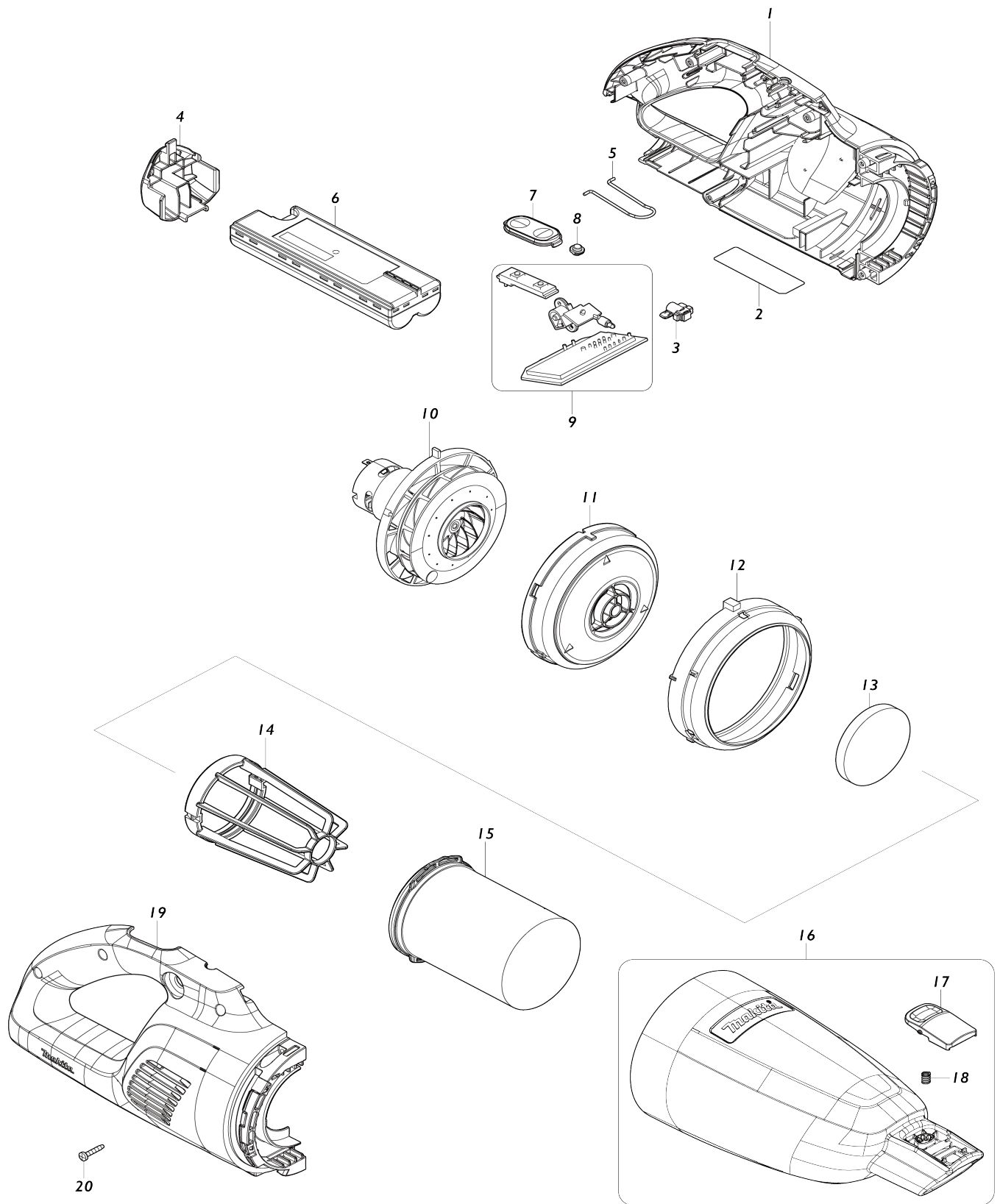


Model No.CL117FD CORDLESS CLEANER



Model No.CL117FD CORDLESS CLEANER

| Obj. č. | Obj. č. | Popis | Možn ost zá měny | Množ ství | Nový/ Starý | Poznámka 1 | Poznámka 2 |
|---------|-----------|-----------------------------|------------------------|--------------|----------------|---------------------|------------|
| 001 | 183W36-3 | HOUSING SET | | 1 | * | obal | |
| C10 | 422925-2 | SPONGE SHEET 48-60 | | 2 | * | | |
| C20 | 423293-6 | SPONGE 6-20 | | 1 | * | | |
| 001 | | INC. 19 | | | * | | |
| 001-1 | 183X67-8 | HOUSING SET | < | 1 | | obal =old 183W36-3 | |
| C10 | 422925-2 | SPONGE SHEET 48-60 | | 2 | | | |
| C20 | 423293-6 | SPONGE 6-20 | | 1 | | | |
| 001-1 | | INC. 19 | | | | | |
| 002 | 858L99-9 | CL117FD NAME PLATE | | 1 | | | |
| 003 | 140K40-3 | LENS CASE COMPLETE | | 1 | | osv | |
| 004 | 413K49-1 | COVER | | 1 | | kryt | |
| 005 | 324885-3 | HANGER | | 1 | | | |
| 006 | 632R12-9 | BATTERY | | 1 | | | |
| 007 | 144096-2 | SWITCH PLATE COMPLETE | | 1 | | | |
| C10 | 810P35-7 | SWITCH LABEL | | 1 | | | |
| 008 | 450522-4 | LENS | | 1 | | | |
| 009 | 620J03-4 | CONTROLLER | | 1 | | ovlada | |
| 010 | 122C96-0 | MOTOR ASSEMBLY | | 1 | | motor | |
| 011 | 458834-9 | FAN COVER | | 1 | | kryt | |
| 012 | 422377-7 | RUBBER RING | | 1 | | krou | |
| 013 | 422268-2 | SPONGE SHEET 57 | | 1 | | filtr motoru | |
| 014 | 458467-0 | STAY | | 1 | | dr | |
| 015 | 199966-0 | EASY SHAKE OFF FILTER B SET | | 1 | | | |
| 016 | 136782-9 | CAPSULE ASS'Y | | 1 | | pouzdro | |
| C10 | 266326-2 | šroub 4x18=new265995-6 | | 1 | | | |
| C20 | 941051-3 | Flat Washer 4 | | 1 | | podlo | |
| C30 | 424208-6 | VALVE | | 1 | | ventil BCL180Z | |
| 016 | | INC. 17,18 | | | | | |
| 017 | 458939-5 | BUTTON A | | 1 | | aretace=new413F33-6 | |
| 018 | 232485-4 | COMPRESSION SPRING 5 | | 1 | | pru | |
| 019 | 183W36-3 | HOUSING SET | | 1 | * | obal | |
| C10 | 422925-2 | SPONGE SHEET 48-60 | | 2 | * | | |
| C20 | 423293-6 | SPONGE 6-20 | | 1 | * | | |
| 019 | | INC. 1 | | | * | | |
| 019-1 | 183X67-8 | HOUSING SET | < | 1 | | obal =old 183W36-3 | |
| C10 | 422925-2 | SPONGE SHEET 48-60 | | 2 | | | |
| C20 | 423293-6 | SPONGE 6-20 | | 1 | | | |
| 019-1 | | INC. 1 | | | | | |
| 020 | 266429-2 | TAPPING SCREW 3X16 | | 6 | | | |
| A01 | 198528-1 | FLOOR/CARPET T-NOZZLE WHI | | 1 | | | |
| C10 | 451410-8 | ROLLER | | 4 | | | |
| C20 | 743108-4 | BRUSH 205 | | 1 | | | |
| A02 | 1910Y3-1 | TELESCOPIC PIPE SET | | 1 | | | |
| A02 | | INC. A05 | | | | | |
| A03 | 413770-6 | SASH NOZZLE | | 1 | | | |
| A05 | 413K53-0 | NOZZLE HOLDER | | 1 | | | |
| A06 | ***DC1002 | DC1002 BATTERY CHARGER | | 1 | | | |

| | | | | | | |
|-----|----------|-------------------------------|---|--|--|--|
| F03 | 191D71-3 | CYCLONE ATTACHMENT SET (LOCK) | 1 | | | |
| F04 | 191D76-3 | STRAIGHT PIPE SET 340 | 1 | | | |
| F06 | 191X06-4 | NOZZLE ASSEMBLY SET | 1 | | | |
| F11 | 198751-8 | PRE FILTER SET EU | 1 | | | |
| F13 | 198753-4 | EASY SHAKE OFF FILTER SET | 1 | | | |
| F15 | 198868-7 | FLEXIBLE HOSE SET28(WHI) | 1 | | | |
| F16 | 198873-4 | SHELF BRUSH SET28 WHI | 1 | | | |
| F17 | 198878-4 | ROUND BRUSH SET 28 WHI | 1 | | | |
| F18 | 198915-4 | FILTER SET | 1 | | | |
| F19 | 198919-6 | LONG SASH NOZZLE SET 28 WHI | 1 | | | |
| F20 | 199038-1 | SEAT NOZZLE SET 28 WHI | 1 | | | |
| F21 | 199439-3 | CREVICE NOZZLE 415 SET | 1 | | | |
| F22 | 199491-1 | CYCLONE ATTACHMENT SET | 1 | | | |
| F23 | 199900-0 | TOOL BAG SET | 1 | | | |
| F24 | 199901-8 | TOOL BAG SET | 1 | | | |
| F26 | 199971-7 | HOLDER SET | 1 | | | |
| F92 | 1911L1-0 | CLEANER STAND SET | 1 | | | |

Prosím uveďte objednáací číslo dílu v objednávce

Datum tisku 17. 10. 2024