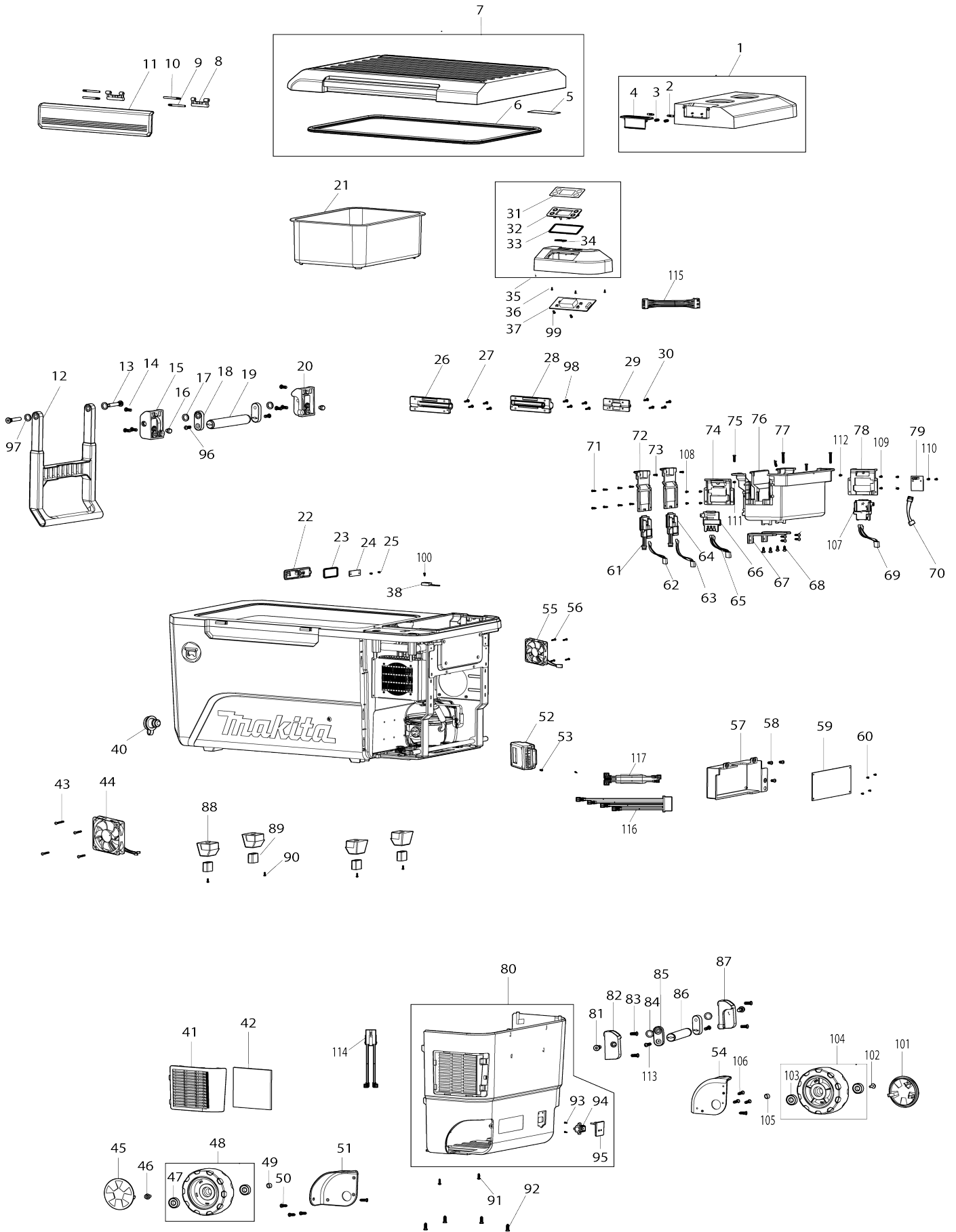


Model No.CW002G CORDLESS COOLER & WARMER BOX



Model No.CW002G CORDLESS COOLER & WARMER BOX

Obj. č.	Obj. č.	Popis	Možnost záměny	Množství	Nový/Stary	Poznámka 1	Poznámka 2
001	WL00000237	BATTERY COVER ASSY		1		kryt akumul	
001		INC. 2-4					
002	WL00000090	SHAFT		2			
003	WL00000010	COMPRESSION SPRING 5MM		2			
004	WL00000238	HANDLE		1			
005	WL00000315	CAUTION LABEL		1			
006	WL00000240	SEALING		1			
007	WL00000316	TOP COVER ASSY		1		horn	
007		INC. 5,6					
008	WL00000242	CONNECTOR		2		pant CW002G	
009	WL00000243	SHAFT		2		h	
010	WL00000244	SHAFT		2		h	
011	WL00000245	HANDLE		1		z	
012	WL00000246	DRAG HANDLE		1		rukoje	
013	WL00000247	DRAG HANDLE SHAFT		2		h	
014	WL00000248	SCREW M6X16		4	*		
014-1	WL00000248	SCREW M6X16	O	6			
015	WL00000249	HANDLE BASE L		1		z	
016	WL00000250	SILICONE		2		silikonov	
017	WL00000251	SILICONE RING		2		silikonov	
018	WL00000252	CONNECTOR		2		spojovac	
019	WL00000253	CARRY HANDLE ASSY		1		dr	
020	WL00000254	HANDLE BASE R		1		z	
021	WL00000255	SEPARATE BOX		1		vnit	
022	WL00000018	THERMOSTAT TOP COVER		1		kryt termostatu	
023	WL00000019	SEALING C		1		t	
024	WL00000192	LIGHT BOARD ASSY		1		sv	
025	WL00000017	TAPPING SCREW 3X8		2			
026	WL00000256	HINGE L		1		z	
027	WL00000257	SCREW 5X25		4			
028	WL00000258	HINGE R		1		z	
029	WL00000259	HINGE		1		z	
030	WL00000023	TAPPING SCREW 4X16		4			
031	WL00000072	CONTROL FILM B		1		film B	
032	WL00000093	SWITCH PANEL		1		sp	
033	WL00000013	SEALING B		1		t	
034	WL00000094	XGT LABEL		1			
035	WL00000330	CONTROL PANEL ASSY		1		kontroln	
035		INC. 31-34					
036	WL00000015	TAPPING SCREW 3X10		3			
037	WL00000261	DISPLAY PCB		1		displej CW002G	
038	WL00000262	MEGNATIC SWITCH		1		magnetick	
040	WL00000300	DRAIN COOK		1		uz	
041	WL00000263	DUST PROOF COVER(BLUE)		1		kryt ventil	
042	WL00000051	FILTER SPONGE		1		hubice	
043	WL00000104	SCREWS M4X30		4			
044	WL00000264	FAN		1		ventil	
045	WL00000265	WHEEL COVER		1		kryt kola CW002G	

046	WL00000032	SCREW M6X16 WITH WASHER		1			
047	WL00000034	BEARING FOR SHAFT		2			
048	WL00000266	WHEEL ASSY		1		kolo komplet CW002G	
048		INC. 47					
049	WL00000035	SHAFT SLEEVE 12MM		1	*	d	
049-1	WL00000433	SHAFT SLEEVE 12MM	O	1		d	
050	WL00000052	COUNTERSUNK TAPPING SCREW 4X18		4			
051	WL00000267	LEFT WHEEL COVER(BLUE)		1		lev	
052	WL00000268	COMPRESSOR PCB		1		elektronika kompresoru CW002G	
053	WL00000269	SCREW M4X8		1			
054	WL00000270	RIGHT WHEEL COVER(BLUE)		1		prav	
055	WL00000103	FAN A WITH CABLE		1	*	ventil	
055-1	WL00000103	FAN A WITH CABLE	O	1	*	ventil	
055-2	WL00000432	FAN A WITH CABLE	O	1		ventil	
056	WL00000104	SCREWS M4X30		4			
057	WL00000271	PCB BOX		1		kryt elektroniky CW002G	
058	WL00000205	PAN HEAD SCREWS M4X10		3			
059	WL00000272	MAIN PCB		1			
060	WL00000015	TAPPING SCREW 3X10		4			
061	WL00000273	BATTERY TERMINAL		1		patice akumul	
062	WL00000274	LEAD UNIT A		1		p	
063	WL00000275	LEAD UNIT B		1		p	
064	WL00000276	BATTERY TERMINAL		1		patice akumul	
065	WL00000277	LEAD UNIT C		1		p	
066	WL00000099	BATTERY TERMINAL		1		svorak baterie	
067	WL00000278	BATTERY BOX BRACKET		2	*	konzole pro uchycen	
067-1	WL00000434	BATTERY BOX BRACKET	O	2		konzole pro uchycen	
068	WL00000044	TAPPING SCREW 4X12		8			
069	WL00000279	LEAD UNIT D		1		p	
070	WL00000280	LEAD UNIT USB		1		p	
071	WL00000015	TAPPING SCREW 3X10		8			
072	WL00000281	BATTERY TERMINAL COVER		2		kryt patice CW002G	
073	WL00000098	SCREWS ST3X8		2			
074	WL00000282	BATTERY TERMINAL COVER		1		kryt patice CW002G	
075	WL00000052	COUNTERSUNK TAPPING SCREW 4X18		3			
076	WL00000283	BATTERY BOX		1		box akumul	
077	WL00000284	SCREW ST 4X30		2			
078	WL00000101	BATTERY TERMINAL COVER		1		kryt	
079	WL00000285	USB PCB		1		elektronika USB CW002G	
080	WL00000286	REAR COVER ASSY(BLUE)		1		zadn	
080		INC. 93-95					
081	WL00000287	SHAFT		2		h	
082	WL00000288	HANDLE BASE L		1		z	
083	WL00000248	SCREW M6X16		4			
084	WL00000251	SILICONE RING		2		silikonov	
085	WL00000252	CONNECTOR		2		spojovac	
086	WL00000253	CARRY HANDLE ASSY		1		dr	

087	WL00000289	HANDLE BASE R		1		z
088	WL00000290	SILICONE FOOT		4		silikonov
089	WL00000291	FOOT PAD		4		z
090	WL0000023	TAPPING SCREW 4X16		4		
091	WL0000023	TAPPING SCREW 4X16		2		
092	WL0000052	COUNTERSUNK TAPPING SCREW 4X18		4		
093	WL0000098	SCREWS ST3X8		2		
094	WL00000292	DC IN SOCKET		1		
095	WL00000293	DC IN COVER		1		
096	WL00000248	SCREW M6X16		2		
097	WL00000251	SILICONE RING		2		silikonov
098	WL00000257	SCREW 5X25		4		
099	WL00000015	TAPPING SCREW 3X10		2		
100	WL00000015	TAPPING SCREW 3X10		1		
101	WL00000265	WHEEL COVER		1		kryt kola CW002G
102	WL00000032	SCREW M6X16 WITH WASHER		1		
103	WL00000034	BEARING FOR SHAFT		2		
104	WL00000266	WHEEL ASSY		1		kolo komplet CW002G
104		INC. 103				
105	WL00000035	SHAFT SLEEVE 12MM		1	*	d
105-1	WL00000433	SHAFT SLEEVE 12MM	O	1		d
106	WL00000052	COUNTERSUNK TAPPING SCREW 4X18		4		
107	WL00000099	BATTERY TERMINAL		1		svorak baterie
108	WL00000015	TAPPING SCREW 3X10		4		
109	WL00000015	TAPPING SCREW 3X10		4		
110	WL00000015	TAPPING SCREW 3X10		2		
111	WL00000098	SCREWS ST3X8		1		
112	WL00000098	SCREWS ST3X8		1		
113	WL00000248	SCREW M6X16		2		
114	WL00000234	POWER CONNECTION WIRE		1		p
115	WL00000235	DISPLAY PCB WIRE		1		p
116	WL00000236	COMPRESSOR PCB WIRE		1		p
117	WL00000175	COMPRESSOR INPUT WIRE		1		kabel
A02	WL00000225	CIGAR LIGTER		1		
C10	WL00000056	FUSE		1		
F01	WL00000313	AC ADAPTOR SET A		1		
C10	WL00000063	AC POWER CORD		1		

Prosím uveďte objednáčíslo dílu v objednávce

Datum tisku 17. 10. 2024