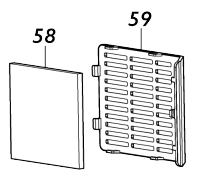
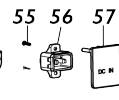
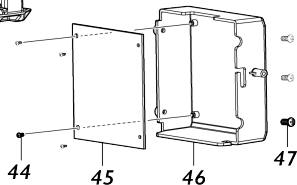
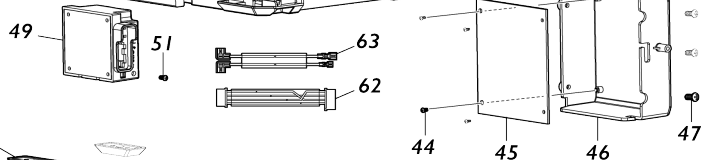
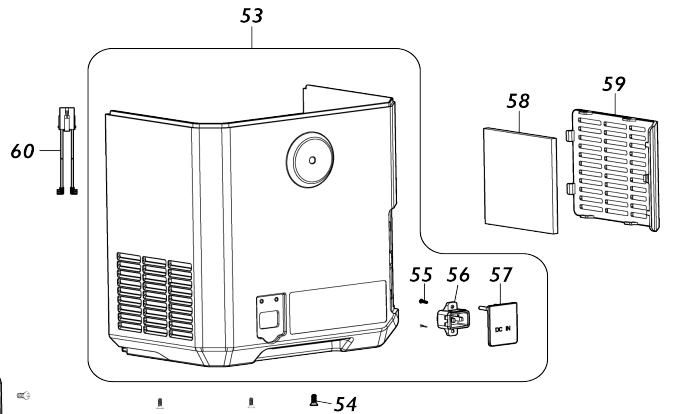
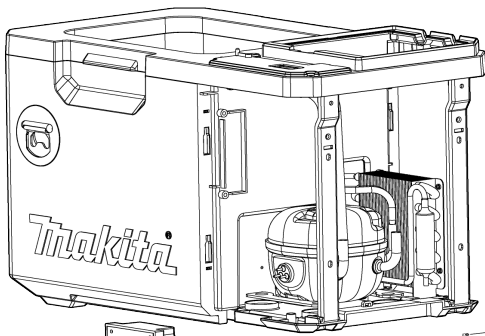
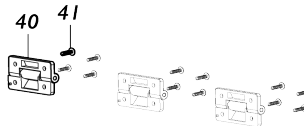
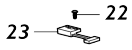
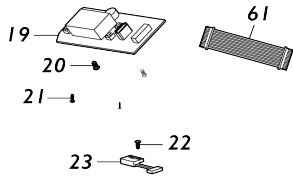
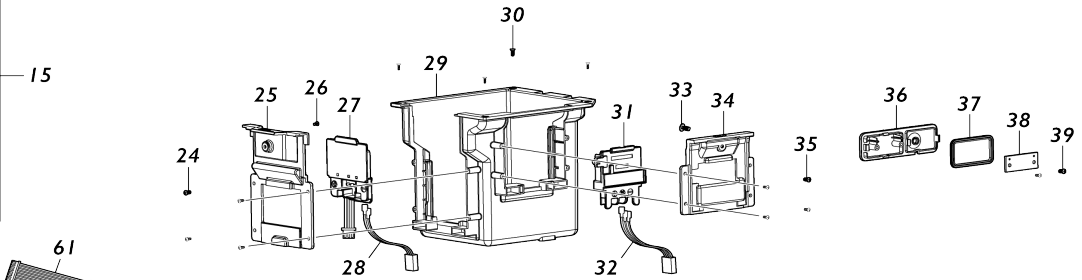
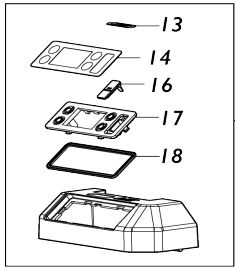
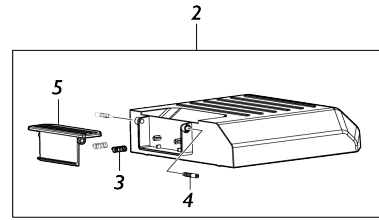
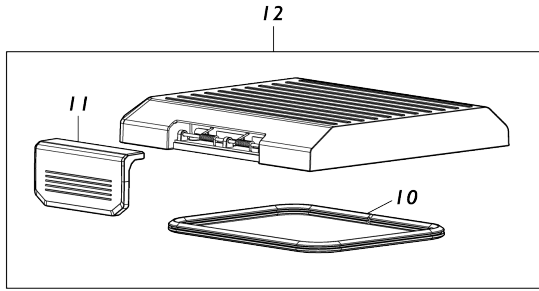
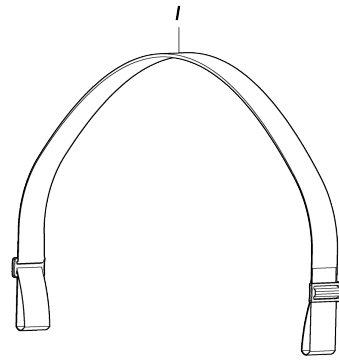
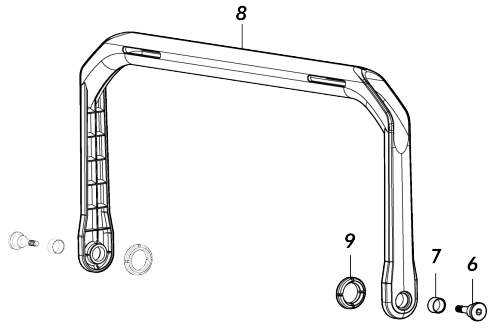


# Model No.CW003G CORDLESS COOLER & WARMER BOX



# Model No.CW003G CORDLESS COOLER & WARMER BOX

| Obj. č. | Obj. č.    | Popis                      | Možnost záměny | Množství | Nový/Stary | Poznámka 1             | Poznámka 2 |
|---------|------------|----------------------------|----------------|----------|------------|------------------------|------------|
| 001     | A-71093    | SHOULDER BELT              |                | 1        |            | rameno                 |            |
| 002     | WL00000176 | BATTERY COVER ASSY         |                | 1        |            | kryt baterie           |            |
| 002     |            | INC. 3,4,5                 |                |          |            |                        |            |
| 003     | WL00000010 | COMPRESSION SPRING 5MM     |                | 2        |            |                        |            |
| 004     | WL00000090 | SHAFT                      |                | 2        |            |                        |            |
| 005     | WL00000177 | HANDLE A                   |                | 1        |            |                        |            |
| 006     | WL00000178 | HEX. SOCKET HEAD SCREW     |                | 2        |            |                        |            |
| 007     | WL00000179 | SLEEVE                     |                | 2        |            | obal                   |            |
| 008     | WL00000180 | CARRY HANDLE               |                | 1        |            | rukoje                 |            |
| 009     | WL00000181 | SILICONE RING              |                | 2        |            | krou                   |            |
| 010     | WL00000182 | SEALING                    |                | 1        |            |                        |            |
| 011     | WL00000183 | HANDLE B                   |                | 1        |            |                        |            |
| 012     | WL00000184 | TOP COVER ASSY             |                | 1        | *          |                        |            |
| 012     |            | INC. 10,11                 |                |          | *          |                        |            |
| 012-1   | WL00000332 | TOP COVER ASSY (OVER SEA)  | <              | 1        |            | horn                   |            |
| C10     | WL00000315 | CAUTION LABEL              |                | 1        |            |                        |            |
| 012-1   |            | INC. 10,11                 |                |          |            |                        |            |
| 013     | WL00000185 | XGT LABEL                  |                | 1        |            |                        |            |
| 014     | WL00000187 | CONTROL FILM               |                | 1        |            |                        |            |
| 015     | WL00000188 | PANEL ASSEMBLY             |                | 1        | *          |                        |            |
| 015     |            | INC. 13,14,16,17,18        |                |          | *          |                        |            |
| 015-1   | WL00000333 | PANEL ASSEMBLY (OVER SEA)  | <              | 1        |            | panel                  |            |
| 015-1   |            | INC. 13,14,16,17,18        |                |          |            |                        |            |
| 016     | WL00000189 | USB COVER                  |                | 1        |            |                        |            |
| 017     | WL00000190 | SWITCH PLATE               |                | 1        |            |                        |            |
| 018     | WL00000191 | SEALING                    |                | 1        |            |                        |            |
| 019     | WL00000193 | CONTROL PCB                |                | 1        | *          |                        |            |
| 019-1   | WL00000298 | BUTTON PCB                 | O              | 1        |            | ovl                    |            |
| 020     | WL00000015 | TAPPING SCREW 3X10         |                | 2        |            |                        |            |
| 021     | WL00000015 | TAPPING SCREW 3X10         |                | 2        |            |                        |            |
| 022     | WL00000015 | TAPPING SCREW 3X10         |                | 1        |            |                        |            |
| 023     | WL00000194 | MAGNETIC SWITCH WITH CABLE |                | 1        |            | magnetick              |            |
| 024     | WL00000015 | TAPPING SCREW 3X10         |                | 4        |            |                        |            |
| 025     | WL00000195 | BATTERY TERMINAL COVER     |                | 1        |            | kryt konektoru baterie |            |
| 026     | WL00000098 | SCREWS ST3X8               |                | 1        |            |                        |            |
| 027     | WL00000196 | BATTERY TERMINAL           |                | 1        |            | kontakt                |            |
| 028     | WL00000197 | LEAD UNIT A                |                | 1        |            | ovl                    |            |
| 029     | WL00000198 | BATTERY BOX                |                | 1        |            | pouzdro baterie        |            |
| 030     | WL00000098 | SCREWS ST3X8               |                | 4        |            |                        |            |
| 031     | WL00000099 | BATTERY TERMINAL           |                | 1        |            | svorak baterie         |            |
| 032     | WL00000199 | LEAD UNIT B                |                | 1        |            | ovl                    |            |
| 033     | WL00000098 | SCREWS ST3X8               |                | 1        |            |                        |            |
| 034     | WL00000200 | BATTERY TERMINAL COVER     |                | 1        |            | kryt                   |            |
| 035     | WL00000015 | TAPPING SCREW 3X10         |                | 4        |            |                        |            |
| 036     | WL00000018 | THERMOSTAT TOP COVER       |                | 1        |            | kryt termostatu        |            |
| 037     | WL00000019 | SEALING C                  |                | 1        |            | t                      |            |
| 038     | WL00000192 | LIGHT BOARD ASSY           |                | 1        |            | sv                     |            |

|       |            |                                |   |    |   |                       |
|-------|------------|--------------------------------|---|----|---|-----------------------|
| 039   | WL00000015 | TAPPING SCREW 3X10             |   | 2  |   |                       |
| 040   | WL00000022 | HINGE                          |   | 3  |   | z                     |
| 041   | WL00000023 | TAPPING SCREW 4X16             |   | 12 |   |                       |
| 042   | WL00000103 | FAN A WITH CABLE               |   | 1  | * | ventil                |
| 042-1 | WL00000103 | FAN A WITH CABLE               | O | 1  | * | ventil                |
| 042-2 | WL00000432 | FAN A WITH CABLE               | O | 1  |   | ventil                |
| 043   | WL00000104 | SCREWS M4X30                   |   | 4  |   |                       |
| 044   | WL00000015 | TAPPING SCREW 3X10             |   | 4  |   |                       |
| 045   | WL00000201 | POWER PCB                      |   | 1  |   | elektronika           |
| 046   | WL00000202 | PCB BOX                        |   | 1  |   | obal                  |
| 047   | WL00000044 | TAPPING SCREW 4X12             |   | 3  |   |                       |
| 048   | WL00000052 | COUNTERSUNK TAPPING SCREW 4X18 |   | 4  |   |                       |
| 049   | WL00000203 | COMPRESS POWER PCB             |   | 1  |   | nap                   |
| 050   | WL00000204 | FOOT PAD                       |   | 4  |   | no                    |
| 051   | WL00000205 | PAN HEAD SCREWS M4X10          |   | 1  |   |                       |
| 052   | WL00000206 | FOOT                           |   | 4  |   | noha                  |
| 053   | WL00000212 | REAR COVER ASSY(BLUE)          |   | 1  |   | zadn                  |
| 053   |            | INC. 55,56,57                  |   |    |   |                       |
| 054   | WL00000052 | COUNTERSUNK TAPPING SCREW 4X18 |   | 3  |   |                       |
| 055   | WL00000015 | TAPPING SCREW 3X10             |   | 2  |   |                       |
| 056   | WL00000208 | DC IN SOCKET                   |   | 1  |   |                       |
| 057   | WL00000209 | DC IN COVER                    |   | 1  |   |                       |
| 058   | WL00000210 | FILTER SPONGE                  |   | 1  |   | filtr                 |
| 059   | WL00000213 | DUST PROOF COVER (BLUE)        |   | 1  |   | kryt                  |
| 060   | WL00000172 | POWER CONNECTION WIRE          |   | 1  | * |                       |
| 060-1 | WL00000331 | POWER CONNECTION WIRE(OVERSEA) | < | 1  |   | kontakt=oldWL00000172 |
| 061   | WL00000173 | CONTROLLING PCB WIRE           |   | 1  |   | kabel                 |
| 062   | WL00000174 | COMPRESSOR PCB WIRE            |   | 1  |   | kabel                 |
| 063   | WL00000175 | COMPRESSOR INPUT WIRE          |   | 1  |   | kabel                 |
| A01   | WL00000058 | AC ADAPTOR ASSY C              |   | 1  |   |                       |
| C10   | WL00000063 | AC POWER CORD                  |   | 1  |   |                       |
| A02   | WL00000002 | CIGAR LIGHTER DC 12-24V        |   | 1  |   | autokonektor DCW180   |
| C10   | WL00000056 | FUSE                           |   | 1  |   |                       |

Prosím uveďte objednáčíslo dílu v objednávce

Datum tisku 17. 10. 2024