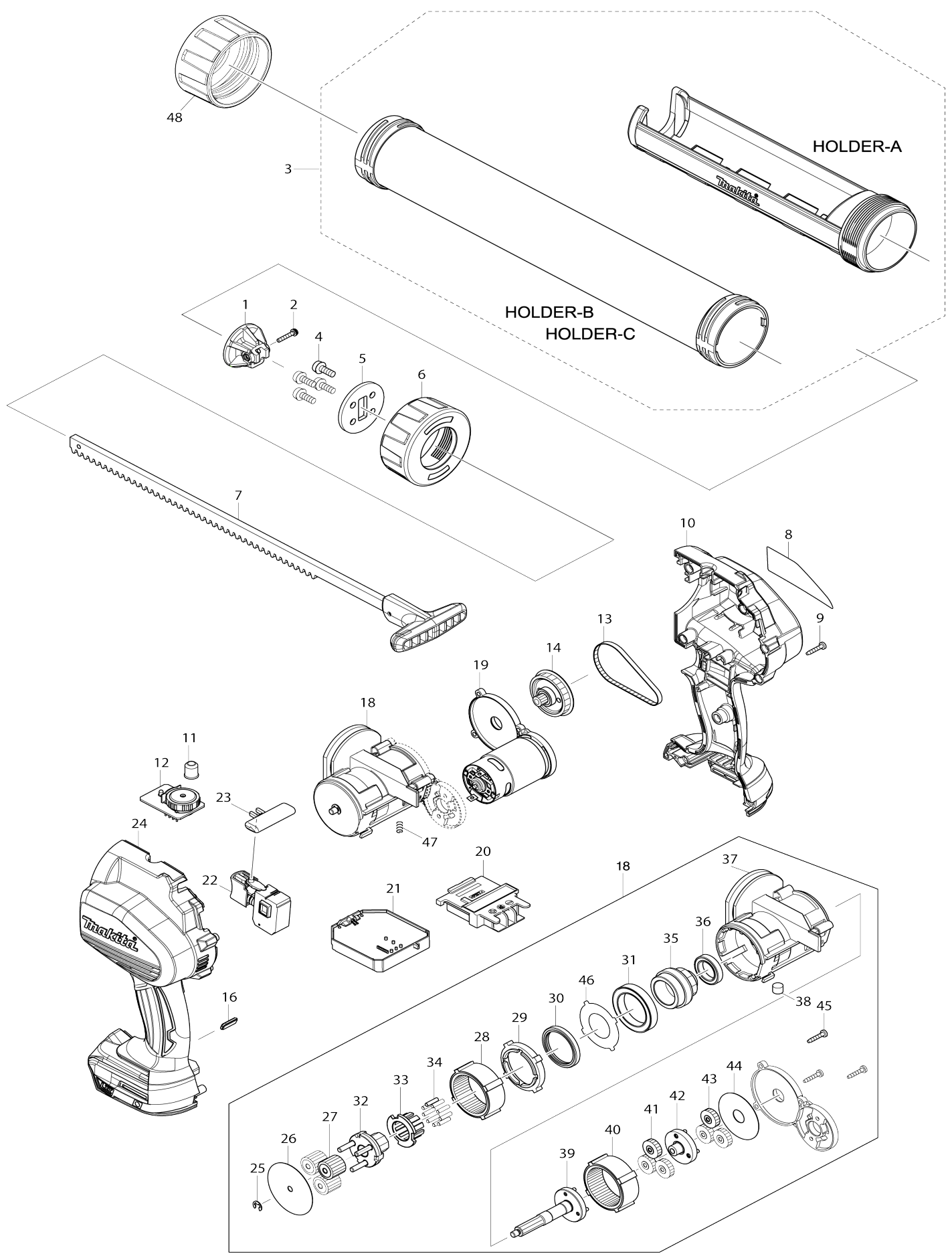


Model No.DCG180 CORDLESS CAULKING GUN



Model No.DCG180 CORDLESS CAULKING GUN

Obj. č.	Obj. č.	Popis	Možn ost zá měny	Množ ství	Nový/ Starý	Poznámka 1	Poznámka 2
001	142071-2	PISTON A COMPLETE		1		p	
002	266827-0	PAN HEAD SCREW M3X18 WITH WR		1			
003	454275-7	HOLDER A		1		plastov	
004	265074-0	PAN HEAD SCREW M5X16		4			
005	346649-5	PLATE		1		deska CG100 DCG140 DCG180	
006	454223-6	HOLDER JOINT A		1		matice	
007	142041-1	RACK 42 COMPLETE		1		ozuben	
008	815F86-5	DCG180 NAME PLATE		1			
009	266429-2	TAPPING SCREW 3X16		9	*		
009-1	266130-9	šroub PT 3X	O	9			
010	187618-5	HOUSING SET		1		obal stroje DCG180	
C10	263005-3	vymezovací čep 6		2			
010		INC. 24					
011	418821-0	LENS		1		kryt CG100D DCG180	
012	620180-2	SUB CONTROLLER		1		ovl	
013	225097-0	SYNCHRO BELT 4-176		1			
014	142038-0	SPUR GEAR 9A COMPLETE		1		ozuben	
016	454230-9	LENS		1		kryt CG100 DCG180	
018	126253-4	GEAR ASSEMBLY		1		p	
018		INC. 25-46					
019	142066-5	MOTOR COMPLETE		1		motor DCG180	
020	643860-3	TERMINAL		1		patice	
021	632A61-4	CONTROLLER UNIT		1	*		
C10	688172-7	LINE FILTER		1	*	filtr	
021-1	632L34-3	CONTROLLER UNIT	O	1	*	ovl	
C10	688172-7	LINE FILTER		1	*	filtr	
C11	688172-7	LINE FILTER	O	1	*	filtr	
021-2	632W17-9	CONTROLLER UNIT	<	1			
C11	688172-7	LINE FILTER	O	1		filtr	
022	650632-9	vypínač BTD133		1		vyp	
023	451162-1	LOCK LEVER		1		p	
024	187618-5	HOUSING SET		1		obal stroje DCG180	
C10	263005-3	vymezovací čep 6		2			
024		INC. 10					
025	961011-9	zajišťovací kroužek		1		zaji	
026	267465-1	FLAT WASHER 5		1			
027	227311-0	SPUR GEAR 19B		3			
028	227309-7	INTERNAL GEAR 48		1			
029	454220-2	SPACER		1	*		
029-1	144375-8	SPACER COMPLETE	S	1			
030	213768-1	OIL SEAL 30		1	*		
031	211294-4	ložisko		1		lo	
032	141860-2	CARRIER A COMPLETE		1			
033	313253-5	CARRIER B		1			
034	256255-7	PIN 3		9			
035	227312-8	SPUR GEAR 10		1			
036	211482-3	BALL BEARING 6803LLU		1			

037	454219-7	GEAR HOUSING		1			
038	313257-7	MAGNET		1			
039	141859-7	SPUR GEAR 9C COMPLETE		1			
040	227309-7	INTERNAL GEAR 48		1			
041	227310-2	SPUR GEAR 19A		3			
042	141858-9	SPUR GEAR 9B COMPLETE		1			
043	227310-2	SPUR GEAR 19A		3			
044	267466-9	FLAT WASHER 12		1			
045	266429-2	TAPPING SCREW 3X16		3	*		
045-1	266130-9	šroub PT 3X	O	3			
046	346721-3	PLATE 23		1			
047	234315-5	COMPRESSION SPRING 6		1			
A01	195246-2	SAFETY GOGGLE		1	*		
F06	194513-2	baterie BL1815 18V/1,3Ah Li-ion		1			
F07-3	197606-4	BATTERY BL1830B SET (2PIECES)	O	1	*		
F08	195445-6	BATTERY BL1815 SET		1			
F09	196351-8	HOLDER A SET		1			
F10-1	1911T4-0	HOLDER B SET	O	1			
F11-2	196235-0	BATTERY BL1815N SET	O	1			
F12-1	196449-1	BATTERY BL1815N SET	O	1			
F13-2	196449-1	BATTERY BL1815N SET	O	1			
F14	197195-9	HOLDER C SET(TYPE 1)		1			
C10	143220-4	RACK 53 COMPLETE		1			
C20	143221-2	PISTON D COMPLETE		1		p	
C30	143223-8	HOLDER JOINT C COMPLETE		1			
C40	266827-0	PAN HEAD SCREW M3X18 WITH WR		1			
C50	455951-6	HOLDER C		1			
C60	455952-4	HOLDER JOINT C		1			
F16-1	1911T5-8	HOLDER D SET	O	1			

Prosím uveďte objednáací číslo dílu v objednávce

Datum tisku 17. 10. 2024