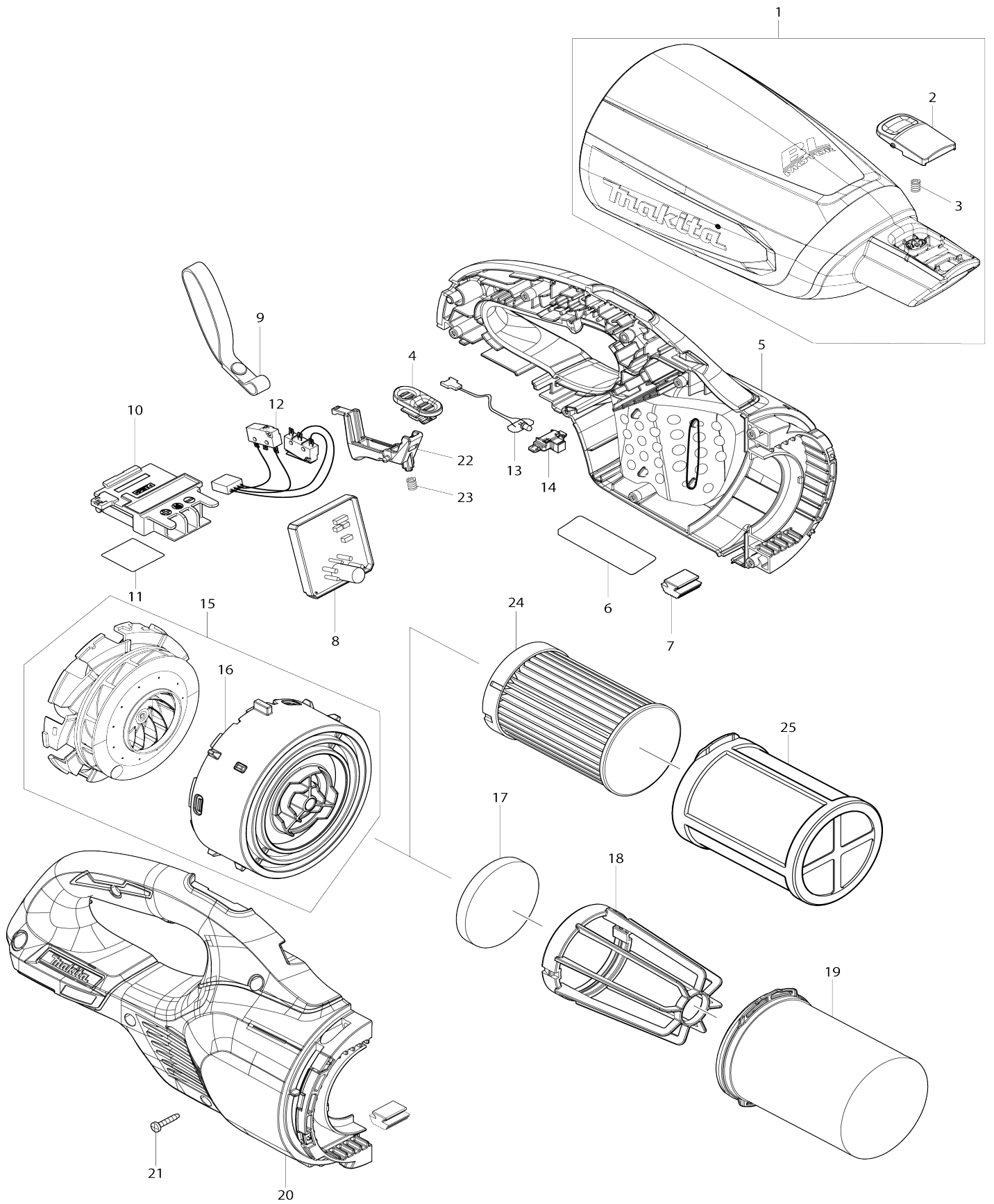


Model No. DCL280F CORDLESS CLEANER



Model No.DCL280F CORDLESS CLEANER

Obj. č.	Obj. č.	Popis	Možnost zá měny	Množ ství	Nový/ Starý	Poznámka 1	Poznámka 2
001	136105-1	CAPSULE ASS'Y		1		n	
C10	266326-2	šroub 4x18=new265995-6		1	*		
C11	251530-6	TAPPING SCREW 4X18	S	1			
C20	424208-6	VALVE		1		ventil BCL180Z	
C30	941051-3	Flat Washer 4		1	*	podlo	
001		INC. 2,3					
002	458939-5	BUTTON A		1		aretační=new413F33-6	
003	232485-4	COMPRESSION SPRING 5		1		pru	
004	459326-1	SLIDE SWITCH		1		vypína	
005	183M07-0	HOUSING SET		1		obal	
C10	263005-3	vymezovací čep 6		2			
C20	422458-7	SPONGE SHEET 55-80		2			
C30	213008-7	o-kroužek 22.4		2		o-krou	
005		INC. 7,20					
006	855596-8	DCL280F NAME PLATE		1			
007	422460-0	RUBBER PLATE		2		gumov	
008	620A74-7	CONTROLLER		1		ovlada	
010	643874-2	TERMINAL		1		kontakt	
011	855T03-7	DCL280F SERIAL NO. LABEL		1			
012	632N57-3	SWITCH UNIT		1		p	
013	620A76-3	LED CIRCUIT		1	*	led obvod=new620E82-2	
013-1	620E82-2	LED CIRCUIT	<	1		led obvod = old 620E82-2	
014	459478-8	LENS CASE		1		pouzdro=new141H09-2	
015	136091-6	MOTOR ASS'Y		1		motor	
015		INC. 16					
016	459322-9	FAN COVER		1		kryt ventil	
017	422268-2	SPONGE SHEET 57		1		filtr motoru	
018	458467-0	STAY		1		dr	
019	199966-0	EASY SHAKE OFF FILTER B SET		1			
020	183M07-0	HOUSING SET		1		obal	
C10	263005-3	vymezovací čep 6		2			
C20	422458-7	SPONGE SHEET 55-80		2			
C30	213008-7	o-kroužek 22.4		2		o-krou	
020		INC. 5,7					
021	266429-2	TAPPING SCREW 3X16		7			
022	459324-5	SWITCH LEVER		1		p	
023	232485-4	COMPRESSION SPRING 5		1		pru	
A01	123488-8	FLOOR T-NOZZLE 28 BLU		1			
C10	451410-8	ROLLER		4			
C20	268208-4	PIN 3		4			
C30	424096-1	WIPER		1	*		
C31	422963-4	WIPER	O	1			
A02	451243-1	štěrbinová hubice		1	*		
A02-1	413859-0	SASH NOZZLE	O	1			
A03	459356-2	PIPE		1			

A04	459355-4	NOZZLE HOLDER		1		
F07	198527-3	FLOOR/CARPET T-NOZZLE BLU		1		
F09	198529-9	FLOOR/CARPET T-NOZZLE BLK EU		1		
F12	198538-8	SHELF BRUSH SET28 BLU		1		
F13	198540-1	SHELF BRUSH SET28 BLK EU		1		
F16	198545-1	FLEXIBLE HOSE SET28(BLU)		1		
F17	198547-7	FLEXIBLE HOSE SET28(BLK)EU		1		
F20	198553-2	ROUND BRUSH SET 28 BLU		1		
F21	198555-8	ROUND BRUSH SET 28 BLK EU		1		
F23	198751-8	PRE FILTER SET EU		1		
F25	198753-4	EASY SHAKE OFF FILTER SET		1		
F27	198868-7	FLEXIBLE HOSE SET28(WHI)		1		
F29	198873-4	SHELF BRUSH SET28 WHI		1		
F31	198878-4	ROUND BRUSH SET 28 WHI		1		
F33	198915-4	FILTER SET		1		
F35	198919-6	LONG SASH NOZZLE SET 28 WHI		1		
F38	198990-0	LONG SASH NOZZLE SET 28 BLU		1		
F40	198992-6	LONG SASH NOZZLE SET 28 BLK		1		
F42	199038-1	SEAT NOZZLE SET 28 WHI		1		
F43	199039-9	SEAT NOZZLE SET 28 BLK		1		
F45	199041-2	SEAT NOZZLE SET 28 BLU		1		
F46	199491-1	CYCLONE ATTACHMENT SET		1		
F48	199901-8	TOOL BAG SET		1		
F72	199971-7	HOLDER SET		1		
F75	191E30-3	FLEXIBLE HOSE SET(LOCK)		1		
F78	191D71-3	CYCLONE ATTACHMENT SET (LOCK)		1		
F79	191D73-9	CYCLONE ATTACHMENT SET (LOCK)		1		
F81	191D75-5	CYCLONE ATTACHMENT SET		1		
F82	191D76-3	STRAIGHT PIPE SET 340		1		
F83	191D77-1	STRAIGHT PIPE SET 340		1		
F84	191D78-9	STRAIGHT PIPE SET 340		1		
F86	191D80-2	STRAIGHT PIPE SET 320		1		
F88	191X06-4	NOZZLE ASSEMBLY SET		1		
F89	1910D4-2	CYCLONE UNIT SET		1		
F90	1910D3-4	CYCLONE UNIT SET		1		
F91	1910D5-0	CYCLONE UNIT SET		1		
F92	1911L1-0	CLEANER STAND SET		1		

Prosím uveďte objednáací číslo dílu v objednávce

Datum tisku 18. 10. 2024