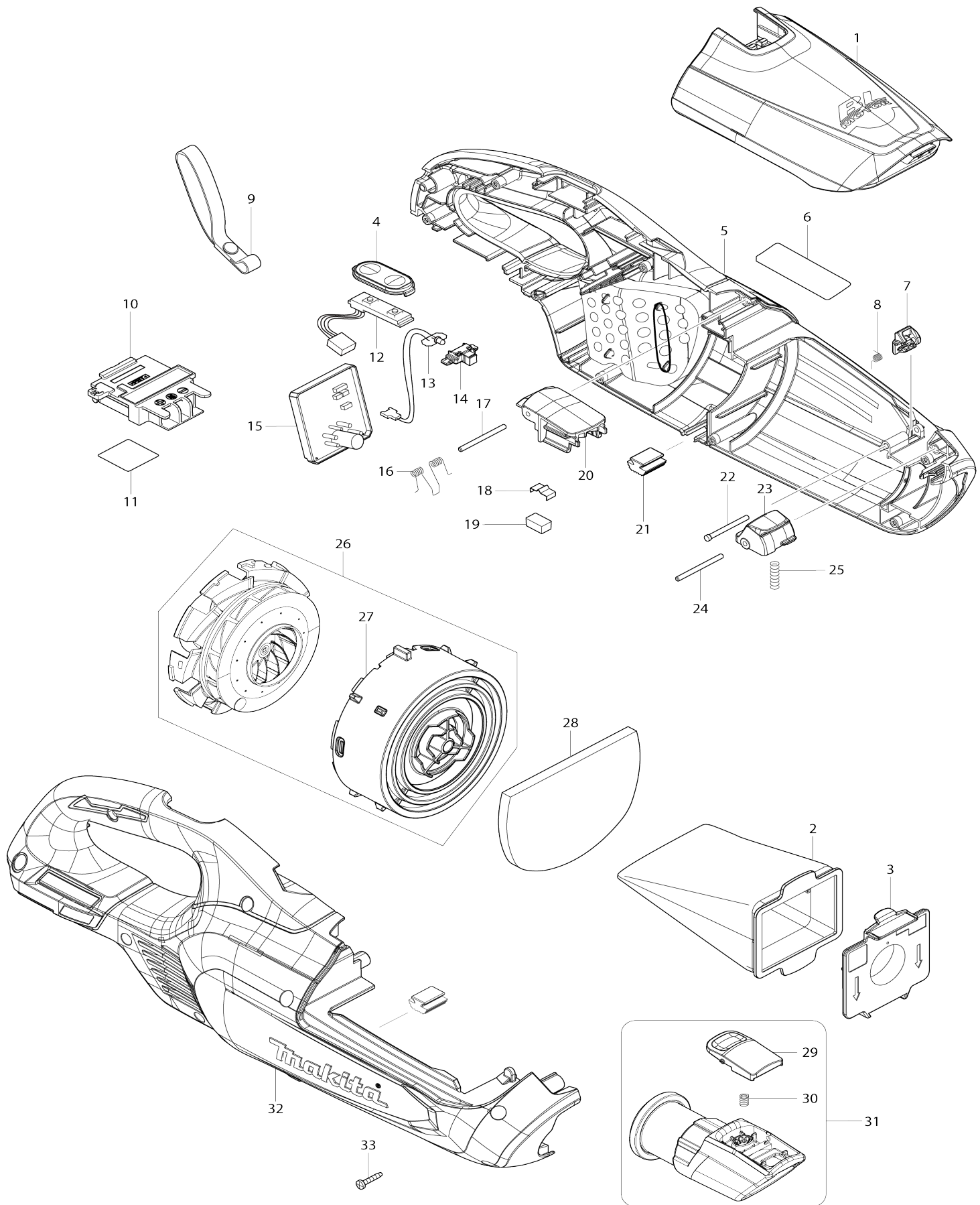


Model No.DCL282F CORDLESS CLEANER



Model No.DCL282F CORDLESS CLEANER

Obj. č.	Obj. č.	Popis	Možn ost zá měny	Množ ství	Nový/ Starý	Poznámka 1	Poznámka 2
001	140L57-2	FRONT COVER COMPLETE		1		p	
C10	424093-7	SEAL		1			
002	166119-6	EASY SHAKE OFF DUST BAG		1			
003	140K23-3	VALVE STAY COMPLETE		1		ulo	
004	144096-2	SWITCH PLATE COMPLETE		1			
005	183M11-9	HOUSING SET		1		obal	
C10	263005-3	vymezovací čep 6		2			
C20	422458-7	SPONGE SHEET 55-80		2			
C30	213008-7	o-kroužek 22.4		2		o-krou	
005		INC. 21,32					
006	855T39-6	DCL282F NAME PLATE		1			
007	459352-0	STOPPER PLATE		1		deska	
008	232484-6	TORSION SPRING 4		1		pru	
010	643874-2	TERMINAL		1		kontakt	
011	855T46-9	DCL282F SERIAL NO. LABEL		1			
012	620A77-1	SWITCH UNIT		1		p	
013	620A76-3	LED CIRCUIT		1	*	led obvod=new620E8 2-2	
013-1	620E82-2	LED CIRCUIT	<	1		led obvod = old 620E 82-2	
014	459478-8	LENS CASE		1		pouzdro=new141H09 -2	
015	620A75-5	CONTROLLER		1		ovlada	
016	233580-3	TORSION SPRING 4		1			
017	268271-7	PIN 3		1			
018	232264-0	LEAF SPRING		1			
019	424367-6	RUBBER		1			
020	459350-4	FRONT COVER JOINT		1		spojka	
021	422460-0	RUBBER PLATE		2		gumov	
022	256590-3	FLAT FILLISTER HD. PIN 3		1			
023	459348-1	BUTTON B		1		tla	
024	268271-7	PIN 3		1			
025	233344-5	pružina		1		pru	
026	136092-4	MOTOR ASS'Y		1		motor DCL281F DCL2 82F	
026		INC. 27					
027	459322-9	FAN COVER		1		kryt ventil	
028	424804-0	SPONGE SHEET 76-110		1		419022 CL104=old42 3287-1	
029	458939-5	BUTTON A		1		aretace=new413F33- 6	
030	232485-4	COMPRESSION SPRING 5		1		pru	
031	136107-7	INLET ASS'Y		1		vlo	
C10	424094-5	PACKING		1		obal	
031		INC. 29,30					
032	183M11-9	HOUSING SET		1		obal	
C10	263005-3	vymezovací čep 6		2			
C20	422458-7	SPONGE SHEET 55-80		2			
C30	213008-7	o-kroužek 22.4		2		o-krou	
032		INC. 5,21					

033	266429-2	TAPPING SCREW 3X16		9		
A01	123488-8	FLOOR T-NOZZLE 28 BLU		1		
C10	451410-8	ROLLER		4		
C20	268208-4	PIN 3		4		
C30	424096-1	WIPER		1	*	
C31	422963-4	WIPER	O	1		
A02	194566-1	papírový filtr 5 ks		1	*	
A02-1	198745-3	PAPER FILTER SET	O	1		
A03	451243-1	štěrbinová hubice		1	*	
A03-1	413859-0	SASH NOZZLE	O	1		
A04	459356-2	PIPE		1		
A05	459355-4	NOZZLE HOLDER		1		
F06	194565-3	PAPER FILTER(10PCS)		1		
F11	198527-3	FLOOR/CARPET T-NOZZLE BLU		1		
F13	198529-9	FLOOR/CARPET T-NOZZLE BLK EU		1		
F16	198538-8	SHELF BRUSH SET28 BLU		1		
F17	198540-1	SHELF BRUSH SET28 BLK EU		1		
F20	198545-1	FLEXIBLE HOSE SET28(BLU)		1		
F21	198547-7	FLEXIBLE HOSE SET28(BLK)EU		1		
F24	198553-2	ROUND BRUSH SET 28 BLU		1		
F25	198555-8	ROUND BRUSH SET 28 BLK EU		1		
F26	198744-5	PAPER FILTER SET		1		
F27	198745-3	PAPER FILTER SET		1		
F29	198747-9	DUST BAG SET EU		1		
F33	198868-7	FLEXIBLE HOSE SET28(WHI)		1		
F35	198873-4	SHELF BRUSH SET28 WHI		1		
F37	198878-4	ROUND BRUSH SET 28 WHI		1		
F39	198919-6	LONG SASH NOZZLE SET 28 WHI		1		
F42	198990-0	LONG SASH NOZZLE SET 28 BLU		1		
F44	198992-6	LONG SASH NOZZLE SET 28 BLK		1		
F46	199038-1	SEAT NOZZLE SET 28 WHI		1		
F47	199039-9	SEAT NOZZLE SET 28 BLK		1		
F49	199041-2	SEAT NOZZLE SET 28 BLU		1		
F50	199491-1	CYCLONE ATTACHMENT SET		1		
F52	199901-8	TOOL BAG SET		1		
F71	199971-7	HOLDER SET		1		
F74	191E30-3	FLEXIBLE HOSE SET(LOCK)		1		
F77	191D71-3	CYCLONE ATTACHMENT SET (LOCK)		1		
F78	191D73-9	CYCLONE ATTACHMENT SET (LOCK)		1		
F80	191D75-5	CYCLONE ATTACHMENT SET		1		
F81	191D76-3	STRAIGHT PIPE SET 340		1		
F82	191D77-1	STRAIGHT PIPE SET 340		1		
F83	191D78-9	STRAIGHT PIPE SET 340		1		
F85	191D80-2	STRAIGHT PIPE SET 320		1		
F88	191X06-4	NOZZLE ASSEMBLY SET		1		
F92	1911L1-0	CLEANER STAND SET		1		

Prosím uveďte objednávací číslo dílu v objednávce

Datum tisku 18. 10. 2024