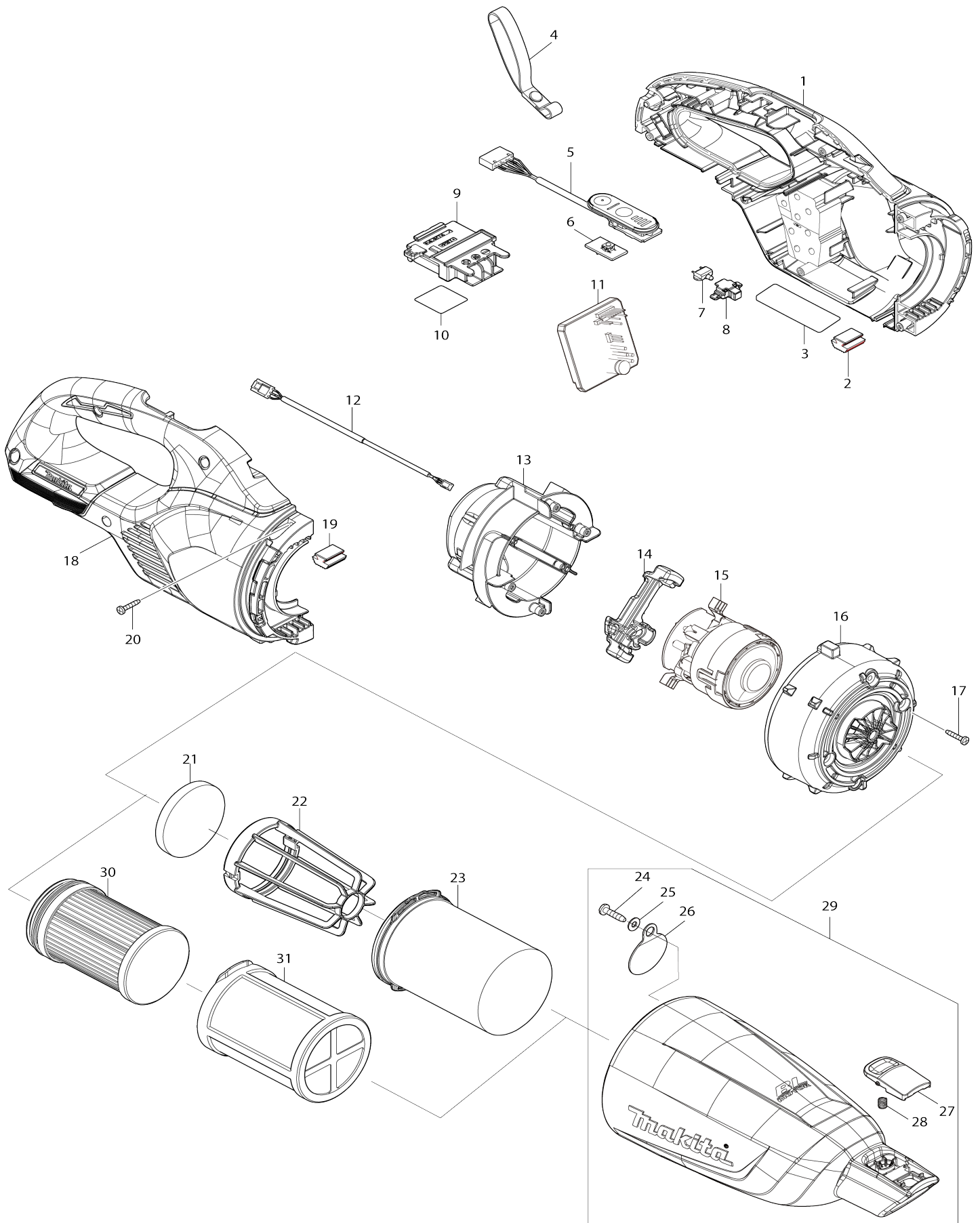


# Model No.DCL284F CORDLESS CLEANER



**Model No.DCL284F CORDLESS CLEANER**

Obj. č.	Obj. č.	Popis	Možn ost zá měny	Množ ství	Nový/ Starý	Poznámka 1	Poznámka 2
001	183Y66-6	HOUSING SET		1		obal stroje DCL284F DCL286F	
C10	263005-3	vymezovací čep 6		2			
C20	422974-9	SPONGE SHEET		2			
001		INC. 2,18,19					
002	422460-0	RUBBER PLATE		1		gumov	
003	8588G2-5	DCL284F NAME PLATE		1			
004	163400-6	HANDSTRAP		1			
005	141B54-1	INDICATION CIRCUIT COMPLETE		1		okruh	
006	620E74-1	SWITCH UNIT		1		vyp	
007	620E82-2	LED CIRCUIT		1		led obvod = old 620E 82-2	
008	141H09-2	LED CASE COMPLETE		1		pouzdro	
009	643874-2	TERMINAL		1		kontakt	
010	8588H4-8	DCL284F SERIAL NO. LABEL		1			
011	620L20-6	CONTROLLER		1		elektronika DCL284F DCL285F DCL286F	
C10	688163-8	filtr		1		filtr AH3756 DCU180 DHS630 DHS710 DLM 460 DSS610 DTW190 DUH551 DUH651	
012	632S32-9	LEAD UNIT		1		elektronika	
013	141E55-7	MOTOR COVER R COMPLETE		1		kryt motoru	
C10	263002-9	vymezovací čep 4		4			
014	422723-4	MOTOR COVER SEAL		1		t	
015	629B87-1	MOTOR ASSEMBLY		1		motor DCL283F DCL 284F DCL285F DCL2 86F	
016	413645-9	MOTOR COVER F		1		kryt motoru	
017	266429-2	TAPPING SCREW 3X16		4			
018	183Y66-6	HOUSING SET		1		obal stroje DCL284F DCL286F	
C10	263005-3	vymezovací čep 6		2			
C20	422974-9	SPONGE SHEET		2			
018		INC. 1,2,19					
019	422460-0	RUBBER PLATE		1		gumov	
020	266429-2	TAPPING SCREW 3X16		7			
021	422268-2	SPONGE SHEET 57		1		filtr motoru	
022	458467-0	STAY		1		dr	
023	459325-3	EASY SHAKE OFF FILTER B		1			
024	266326-2	šroub 4x18=new265995-6		1	*		
024-1	251530-6	TAPPING SCREW 4X18	S	1			
025	941051-3	Flat Washer 4		1	*	podlo	
026	424208-6	VALVE		1		ventil BCL180Z	
027	413F33-6	BUTTON C		1		tla	
028	232485-4	COMPRESSION SPRING 5		1		pru	
029	136964-3	CAPSULE ASSEMBLY		1		n	
029		INC. 24-28			*		
029		INC. 24,26-28					
A01	127827-4	NOZZLE ASSEMBLY		1			
C10	268208-4	PIN 3		4			

C20	451410-8	ROLLER		4		
C30	422963-4	WIPER		1		
A02	413859-0	SASH NOZZLE		1		
A03	459355-4	NOZZLE HOLDER		1		
A04	459356-2	PIPE		1		
F05	191D71-3	CYCLONE ATTACHMENT SET (LOCK)		1		
F07	191D73-9	CYCLONE ATTACHMENT SET (LOCK)		1		
F09	191D75-5	CYCLONE ATTACHMENT SET		1		
F10	191D76-3	STRAIGHT PIPE SET 340		1		
F11	191D77-1	STRAIGHT PIPE SET 340		1		
F12	191D78-9	STRAIGHT PIPE SET 340		1		
F14	191D80-2	STRAIGHT PIPE SET 320		1		
F16	191E30-3	FLEXIBLE HOSE SET(LOCK)		1		
F17	191X06-4	NOZZLE ASSEMBLY SET		1		
F18	1910D3-4	CYCLONE UNIT SET		1		
F19	1910D4-2	CYCLONE UNIT SET		1		
F20	1910D5-0	CYCLONE UNIT SET		1		
F22	1911L1-0	CLEANER STAND SET		1		
F23	198538-8	SHELF BRUSH SET28 BLU		1		
F24	198540-1	SHELF BRUSH SET28 BLK EU		1		
F25	198545-1	FLEXIBLE HOSE SET28(BLU)		1		
F26	198547-7	FLEXIBLE HOSE SET28(BLK)EU		1		
F27	198553-2	ROUND BRUSH SET 28 BLU		1		
F28	198555-8	ROUND BRUSH SET 28 BLK EU		1		
F29	198751-8	PRE FILTER SET EU		1		
F30	198753-4	EASY SHAKE OFF FILTER SET		1		
F31	198868-7	FLEXIBLE HOSE SET28(WHI)		1		
F32	198873-4	SHELF BRUSH SET28 WHI		1		
F33	198878-4	ROUND BRUSH SET 28 WHI		1		
F34	198915-4	FILTER SET		1		
F35	198919-6	LONG SASH NOZZLE SET 28 WHI		1		
F36	198990-0	LONG SASH NOZZLE SET 28 BLU		1		
F37	198992-6	LONG SASH NOZZLE SET 28 BLK		1		
F38	199038-1	SEAT NOZZLE SET 28 WHI		1		
F39	199039-9	SEAT NOZZLE SET 28 BLK		1		
F40	199041-2	SEAT NOZZLE SET 28 BLU		1		
F41	199439-3	CREVICE NOZZLE 415 SET		1		
F42	199491-1	CYCLONE ATTACHMENT SET		1		
F44	199901-8	TOOL BAG SET		1		
F46	199971-7	HOLDER SET		1		

Prosím uveďte objednáčíslo dílu v objednávce

Datum tisku 18. 10. 2024