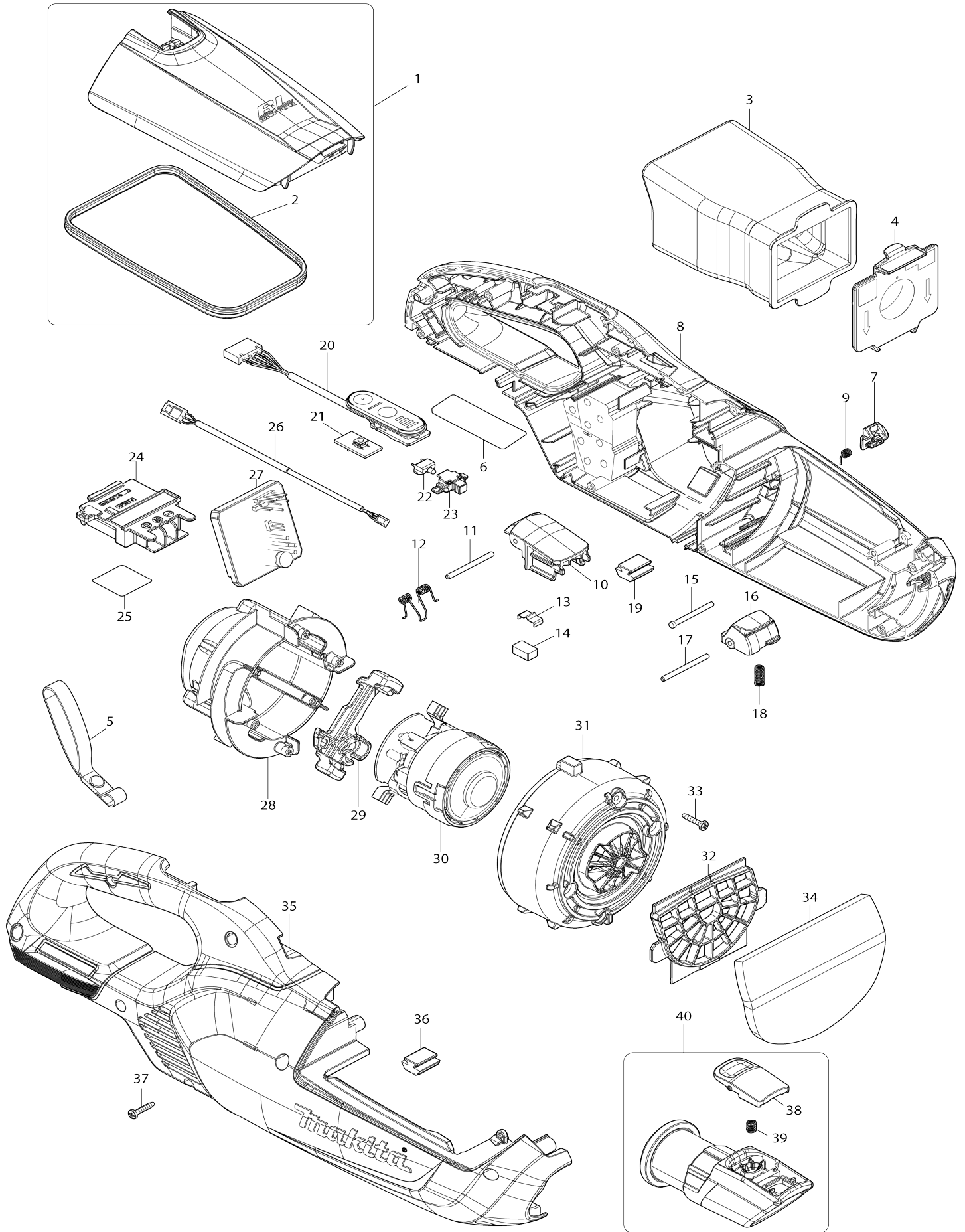


Model No. DCL285F CORDLESS CLEANER



Model No.DCL285F CORDLESS CLEANER

Obj. č.	Obj. č.	Popis	Možn ost zá měny	Množ ství	Nový/ Starý	Poznámka 1	Poznámka 2
001	136907-5	FRONT COVER ASSEMBLY		1		p	
001		INC. 2					
002	424093-7	SEAL		1			
003	1910M4-5	HIGH PERFORMANCE DUST BAG SET		1			
004	140K23-3	VALVE STAY COMPLETE		1		ulo	
005	163400-6	HANDSTRAP		1			
006	8588J6-8	DCL285F NAME PLATE		1			
007	459352-0	STOPPER PLATE		1		deska	
008	183Y69-0	HOUSING SET		1		obal stroje DCL285F	
C10	263005-3	vymezovací čep 6		2			
C20	422974-9	SPONGE SHEET		2			
008		INC. 19,35,36					
009	232484-6	TORSION SPRING 4		1		pru	
010	459350-4	FRONT COVER JOINT		1		spojka	
011	268271-7	PIN 3		1			
012	233580-3	TORSION SPRING 4		1			
013	232264-0	LEAF SPRING		1			
014	424367-6	RUBBER		1			
015	256590-3	FLAT FILLISTER HD. PIN 3		1			
016	459348-1	BUTTON B		1		tla	
017	268271-7	PIN 3		1			
018	233344-5	pružina		1		pru	
019	422460-0	RUBBER PLATE		1		gumov	
020	141B54-1	INDICATION CIRCUIT COMPLETE		1		okruh	
021	620E74-1	SWITCH UNIT		1		vyp	
022	620E82-2	LED CIRCUIT		1		led obvod = old 620E 82-2	
023	141H09-2	LED CASE COMPLETE		1		pouzdro	
024	643874-2	TERMINAL		1		kontakt	
025	8588K4-9	DCL285F SERIAL NO. LABEL		1			
026	632S32-9	LEAD UNIT		1		elektronika	
027	620L20-6	CONTROLLER		1		elektronika DCL284F DCL285F DCL286F	
C10	688163-8	filtr		1		filtr AH3756 DCU180 DHS630 DHS710 DLM 460 DSS610 DTW190 DUH551 DUH651	
028	141E55-7	MOTOR COVER R COMPLETE		1		kryt motoru	
C10	263002-9	vymezovací čep 4		4			
029	422723-4	MOTOR COVER SEAL		1		t	
030	629B87-1	MOTOR ASSEMBLY		1		motor DCL283F DCL 284F DCL285F DCL2 86F	
031	413645-9	MOTOR COVER F		1		kryt motoru	
032	413J77-0	GUARD		1		chr	
033	266429-2	TAPPING SCREW 3X16		4			
034	424804-0	SPONGE SHEET 76-110		1		419022 CL104=old42 3287-1	
035	183Y69-0	HOUSING SET		1		obal stroje DCL285F	
C10	263005-3	vymezovací čep 6		2			

C20	422974-9	SPONGE SHEET		2		
035		INC. 8,19,36				
036	422460-0	RUBBER PLATE		1	gumov	
037	266429-2	TAPPING SCREW 3X16		9		
038	413F33-6	BUTTON C		1	tla	
039	232485-4	COMPRESSION SPRING 5		1	pru	
040	136587-7	INLET ASS'Y		1	vlo	
C10	424094-5	PACKING		1	obal	
040		INC. 38,39				
A01	127827-4	NOZZLE ASSEMBLY		1		
C10	268208-4	PIN 3		4		
C20	451410-8	ROLLER		4		
C30	422963-4	WIPER		1		
A02	198745-3	PAPER FILTER SET		1		
A03	413859-0	SASH NOZZLE		1		
A04	459355-4	NOZZLE HOLDER		1		
A05	459356-2	PIPE		1		
A06	***DC18RC	DC18RC FAST CHARGER		1		
A06		COMPO-PARTS				
A07	197600-6	BATTERY BL1830B SET		1		
A08	450128-8	kryt baterie		1		
F06	191D71-3	CYCLONE ATTACHMENT SET (LOCK)		1		
F08	191D73-9	CYCLONE ATTACHMENT SET (LOCK)		1		
F10	191D75-5	CYCLONE ATTACHMENT SET		1		
F11	191D76-3	STRAIGHT PIPE SET 340		1		
F12	191D77-1	STRAIGHT PIPE SET 340		1		
F13	191D78-9	STRAIGHT PIPE SET 340		1		
F15	191D80-2	STRAIGHT PIPE SET 320		1		
F17	191E30-3	FLEXIBLE HOSE SET(LOCK)		1		
F18	191X06-4	NOZZLE ASSEMBLY SET		1		
F21	1911L1-0	CLEANER STAND SET		1		
F22	198538-8	SHELF BRUSH SET28 BLU		1		
F23	198540-1	SHELF BRUSH SET28 BLK EU		1		
F24	198545-1	FLEXIBLE HOSE SET28(BLU)		1		
F25	198547-7	FLEXIBLE HOSE SET28(BLK)EU		1		
F26	198553-2	ROUND BRUSH SET 28 BLU		1		
F27	198555-8	ROUND BRUSH SET 28 BLK EU		1		
F28	198744-5	PAPER FILTER SET		1		
F29	198745-3	PAPER FILTER SET		1		
F30	198747-9	DUST BAG SET EU		1		
F31	198868-7	FLEXIBLE HOSE SET28(WHI)		1		
F32	198873-4	SHELF BRUSH SET28 WHI		1		
F33	198878-4	ROUND BRUSH SET 28 WHI		1		
F34	198919-6	LONG SASH NOZZLE SET 28 WHI		1		
F35	198990-0	LONG SASH NOZZLE SET 28 BLU		1		
F36	198992-6	LONG SASH NOZZLE SET 28 BLK		1		
F37	199038-1	SEAT NOZZLE SET 28 WHI		1		
F38	199039-9	SEAT NOZZLE SET 28 BLK		1		
F39	199041-2	SEAT NOZZLE SET 28 BLU		1		
F40	199439-3	CREVICE NOZZLE 415 SET		1		

F41	199491-1	CYCLONE ATTACHMENT SET		1			
F43	199901-8	TOOL BAG SET		1			
F44	199971-7	HOLDER SET		1			

Prosím uveďte objednáací číslo dílu v objednávce

Datum tisku 18. 10. 2024