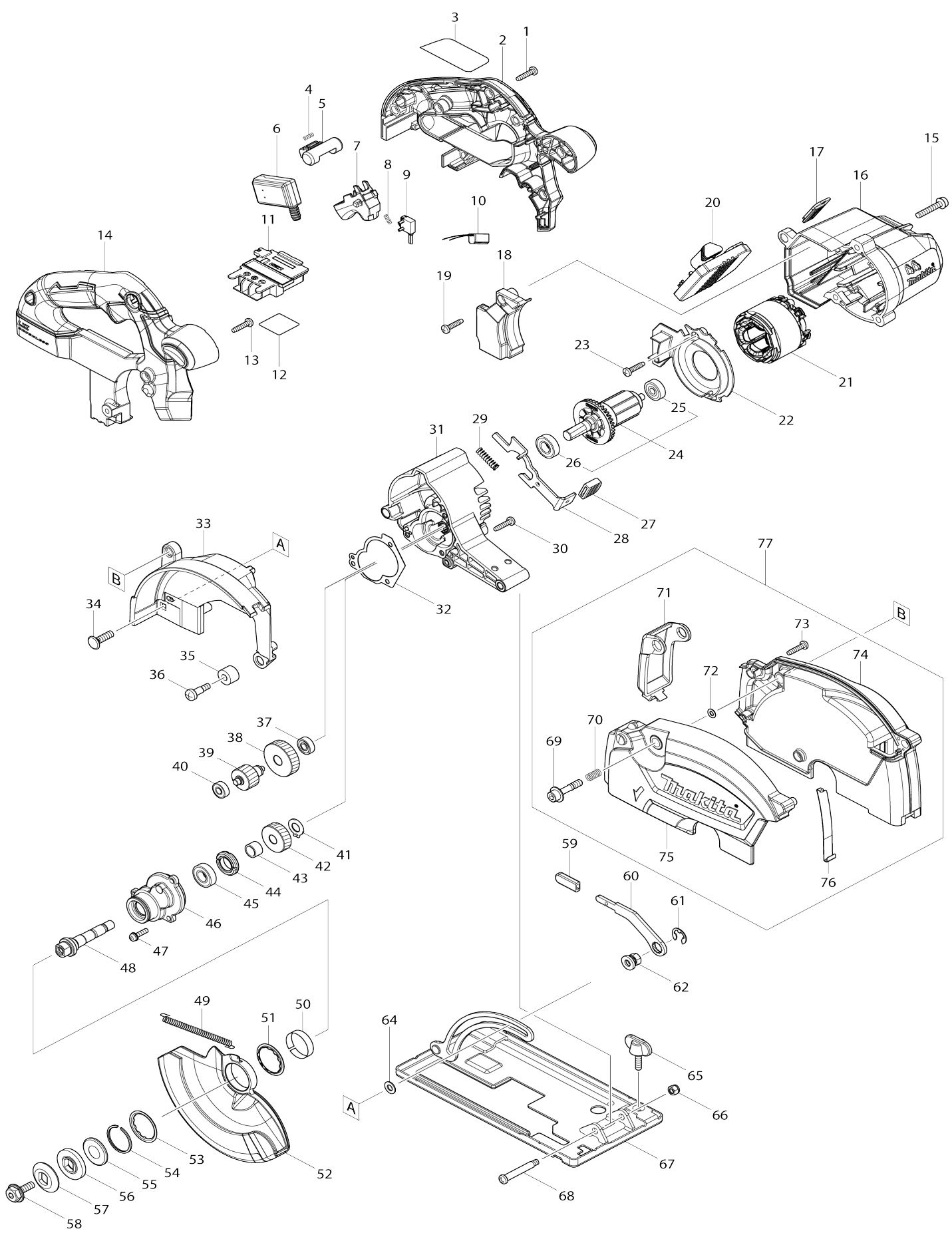


Model No.DCS553 150MM CORDLESS METAL CUTTER



Model No.DCS553 150MM CORDLESS METAL CUTTER

| Obj. č. | Obj. č. | Popis | Možn ost zá měny | Množ ství | Nový/ Starý | Poznámka 1 | Poznámka 2 |
|---------|----------|---------------------------|------------------------|--------------|----------------|--|------------|
| 001 | 265995-6 | šroub 4x18 = old 265941-9 | | 6 | | | |
| 002 | 183K13-3 | HANDLE SET | | 1 | | dr | |
| C10 | 263005-3 | vymezovací čep 6 | | 2 | | | |
| 002 | | INC. 14 | | | | | |
| 003 | 854564-8 | DCS553 NAME PLATE | | 1 | | | |
| 004 | 231433-0 | vinutá pružina | | 1 | | vinut | |
| 005 | 419704-7 | LOCK OFF BUTTON | | 1 | | p | |
| 006 | 651083-9 | SWITCH C3XA-1PSPM | | 1 | | vyp | |
| 007 | 458594-3 | SWITCH LEVER | | 1 | | p | |
| 008 | 231433-0 | vinutá pružina | | 1 | | vinut | |
| 009 | 632M68-2 | SWITCH UNIT | | 1 | | vyp | |
| 010 | 620936-3 | LED CIRCUIT | | 1 | | okruh DCS553 DHK18 0 DHS660 DHS661 D HS782 DHS783 DHS9 00 | |
| 011 | 643874-2 | TERMINAL | | 1 | | kontakt | |
| 012 | 854572-9 | DCS553 SERIAL NO. LABEL | | 1 | | | |
| 013 | 265995-6 | šroub 4x18 = old 265941-9 | | 2 | | | |
| 014 | 183K13-3 | HANDLE SET | | 1 | | dr | |
| C10 | 263005-3 | vymezovací čep 6 | | 2 | | | |
| 014 | | INC. 2 | | | | | |
| 015 | 911253-5 | šroub M5x30 | | 3 | | | |
| 016 | 458656-7 | MOTOR HOUSING | | 1 | | obal motoru | |
| 017 | 144251-6 | INDICATION PLATE COMPLETE | | 1 | | deska DCS553 DHS66 0 DHS661 | |
| 018 | 458657-5 | MOTOR HOUSING COVER | | 1 | | kryt motoru | |
| 019 | 265995-6 | šroub 4x18 = old 265941-9 | | 1 | | | |
| 020 | 620938-9 | CONTROLLER | | 1 | * | ovl | |
| 020-1 | 620L75-1 | CONTROLLER | S | 1 | | ovl | |
| 021 | 629368-1 | STATOR | | 1 | * | stator | |
| 021-1 | 629C04-7 | STATOR | S | 1 | | stator =old 629368-1 | |
| 022 | 458658-3 | BAFFLE PLATE | | 1 | | deska | |
| 023 | 265995-6 | šroub 4x18 = old 265941-9 | | 2 | | | |
| 024 | 519530-5 | ROTOR ASS'Y | | 1 | * | | |
| 024 | | INC. 25,26 | | | * | | |
| 024-1 | 510437-8 | ROTOR ASS'Y | < | 1 | * | rotor | |
| 024-1 | | INC. 25,26 | | | * | | |
| 024-2 | 510437-8 | ROTOR ASS'Y | O | 1 | | rotor | |
| 024-2 | | INC. 25,26 | | | | | |
| 025 | 210022-4 | kuličkové ložisko 626 DDW | | 1 | | | |
| 026 | 210069-8 | BALL BEARING 6900DDW | | 1 | * | kuli | |
| 026-1 | 210214-5 | BALL BEARING 6900DDW | < | 1 | | | |
| 027 | 286039-9 | CAP | | 1 | | v | |
| 028 | 346885-3 | SHAFT LOCK | | 1 | | doraz | |
| 029 | 233117-6 | pružina 6 GA7010C/9010C/S | | 1 | | pru | |
| 030 | 265995-6 | šroub 4x18 = old 265941-9 | | 2 | | | |
| 031 | 140D79-4 | GEAR HOUSING COMPLETE | | 1 | | obal p | |
| C10 | 213961-7 | O RING 22 | | 1 | | | |
| 032 | 424715-9 | GASKET | | 1 | | t | |

| | | | | | | | |
|-------|----------|-------------------------------|---|---|---|---------------------|--|
| 033 | 458661-4 | BLADE CASE | | 1 | | pouzdro | |
| 034 | 266737-1 | FLAT HEAD SQ. NECK BOLT M6X20 | | 1 | | | |
| 035 | 262511-5 | gumový kroužek 6 | | 1 | | gumov | |
| 036 | 265115-2 | + PAN HEAD SCREW M5 | | 1 | | | |
| 037 | 210065-6 | BALL BEARING 625ZZ | | 1 | | lo | |
| 038 | 227809-7 | HELICAL GEAR 30 | | 1 | | ozuben | |
| 039 | 227807-1 | HELICAL GEAR 17 | | 1 | | ozuben | |
| 040 | 210033-9 | ložisko 696ZZ | | 1 | | lo | |
| 041 | 961005-4 | segrovka S-9 | | 1 | | | |
| 042 | 227808-9 | HELICAL GEAR 24 | | 1 | | ozuben | |
| 043 | 257728-3 | SLEEVE 10 | | 1 | | pouzdro=new257493-4 | |
| 044 | 285847-5 | BEARING RETAINER 14-23 | | 1 | | kryt lo | |
| 045 | 210069-8 | BALL BEARING 6900DDW | | 1 | * | kuli | |
| 045-1 | 210214-5 | BALL BEARING 6900DDW | < | 1 | | | |
| 046 | 143228-8 | BEARING BOX COMPLETE | | 1 | | pouzdro lo | |
| C10 | 263002-9 | vymezovací čep 4 | | 1 | | | |
| 047 | 911128-8 | P.H.SCREW M4X16 WITH WR | | 3 | | | |
| 048 | 326540-3 | SPINDLE | | 1 | | v | |
| 049 | 231792-2 | TENSION SPRING 3 | | 1 | | pru | |
| 050 | 345470-9 | THICKNESS RING | | 1 | | krou | |
| 051 | 345739-1 | SPACER | | 1 | | vymezovac | |
| 052 | 140C92-6 | SAFETY COVER COMPLETE | | 1 | | kryt | |
| 053 | 345739-1 | SPACER | | 1 | | vymezovac | |
| 054 | 257938-2 | RETAINING RING(EXT) WR-26 | | 1 | | krou | |
| 055 | 267802-9 | CUP WASHER 13 | | 1 | | podlo | |
| 056 | 224391-7 | INNER FLANGE 30 | | 1 | | p | |
| 057 | 224404-4 | OUTER FLANGE 30 | | 1 | | p | |
| 058 | 266925-0 | HEX.SOCKET HEX.BOLT M6X18 | | 1 | | | |
| 059 | 286036-5 | CAP | | 1 | | v | |
| 060 | 347418-7 | LEVER PLATE | | 1 | | deska | |
| 061 | 257982-9 | BOW STOP RING E-8 | | 1 | | krou | |
| 062 | 252265-2 | HEX. NUT M6 | | 1 | | matka | |
| 064 | 941151-9 | podložka 6 = old 253047-5 | | 1 | | podlo | |
| 065 | 251896-4 | SCREW M5X20 | | 1 | | | |
| 066 | 252103-8 | zajišťovací šroub M5-8 | | 1 | | | |
| 067 | 162468-9 | BASE | | 1 | | z | |
| 068 | 265056-2 | šroub M5 5604R | | 1 | | | |
| 069 | 265676-2 | H.S.H.B M6X29 | | 1 | | | |
| 070 | 233267-7 | pružina | | 1 | | pru | |
| 071 | 458652-5 | DUST CAP | | 1 | | v | |
| 072 | 213005-3 | O RING 5 | | 1 | | o krou | |
| 073 | 265995-6 | šroub 4x18 = old 265941-9 | | 4 | | | |
| 074 | 458659-1 | DUST BOX L | | 1 | | | |
| 075 | 458660-6 | DUST BOX R | | 1 | | plastov | |
| 076 | 347417-9 | PLATE | | 1 | | | |
| 077 | 127011-1 | DUST BOX ASSEMBLY | | 1 | * | | |
| 077 | | INC. 69-76 | | | * | | |
| 077-1 | 127011-1 | DUST BOX ASSEMBLY | O | 1 | * | | |
| C10 | 162559-6 | GUIDE PLATE | | 1 | * | | |
| 077-1 | | INC. 69-76 | | | * | | |

| | | | | | | | |
|-------|-----------|---------------------------------|---|---|---|---|--|
| 077-2 | 136069-9 | DUST BOX ASSEMBLY | O | 1 | | prachov | |
| C10 | 162559-6 | GUIDE PLATE | | 1 | | | |
| 077-2 | | INC. 69-76 | | | | | |
| 078 | 620K37-3 | CONTROLLER B | S | 1 | | sn | |
| 079 | 652119-7 | PAN HEAD SCREW M2X6 | S | 6 | | | |
| A01 | 192219-6 | ochranné brýle | | 1 | * | | |
| A02 | 783203-8 | klíč imbus 5 | | 1 | | | |
| A03 | B-46296 | T.C.T SAW BLADE 150X20X32T | | 1 | | | |
| A04 | 164095-8 | vodítko | | 1 | | doraz 5704R 5008M G SS610 HS630 HS3 00 HS003G | |
| A05 | ***DC18RC | DC18RC FAST CHARGER | | 1 | | | |
| A05 | | COMPO-PARTS | | | | | |
| A06 | 197280-8 | BATTERY BL1850B SET | | 2 | * | | |
| A06-1 | 197280-8 | BATTERY BL1850B SET | O | 2 | | | |
| A07 | 450128-8 | kryt baterie | | 1 | | | |
| A08 | 821551-8 | system Makpac 395x295x210 mm | | 1 | | | |
| C10 | 453974-8 | LATCH | | 4 | | spona Makpacu | |
| A09 | 839751-6 | INNER TRAY | | 1 | | | |
| A10 | 817Y85-7 | DCS553RTJ INDICATION LABEL | | 1 | | | |
| A11 | 817Y86-5 | DCS553RTJ PLASTIC CASE LABEL | | 2 | | | |
| F05 | 199296-9 | HOOK SET | | 1 | | | |
| F06 | 199935-1 | TOOL BAG SET | | 1 | | | |

Prosím uveďte objednáč. číslo dílu v objednávce

Datum tisku 18. 10. 2024