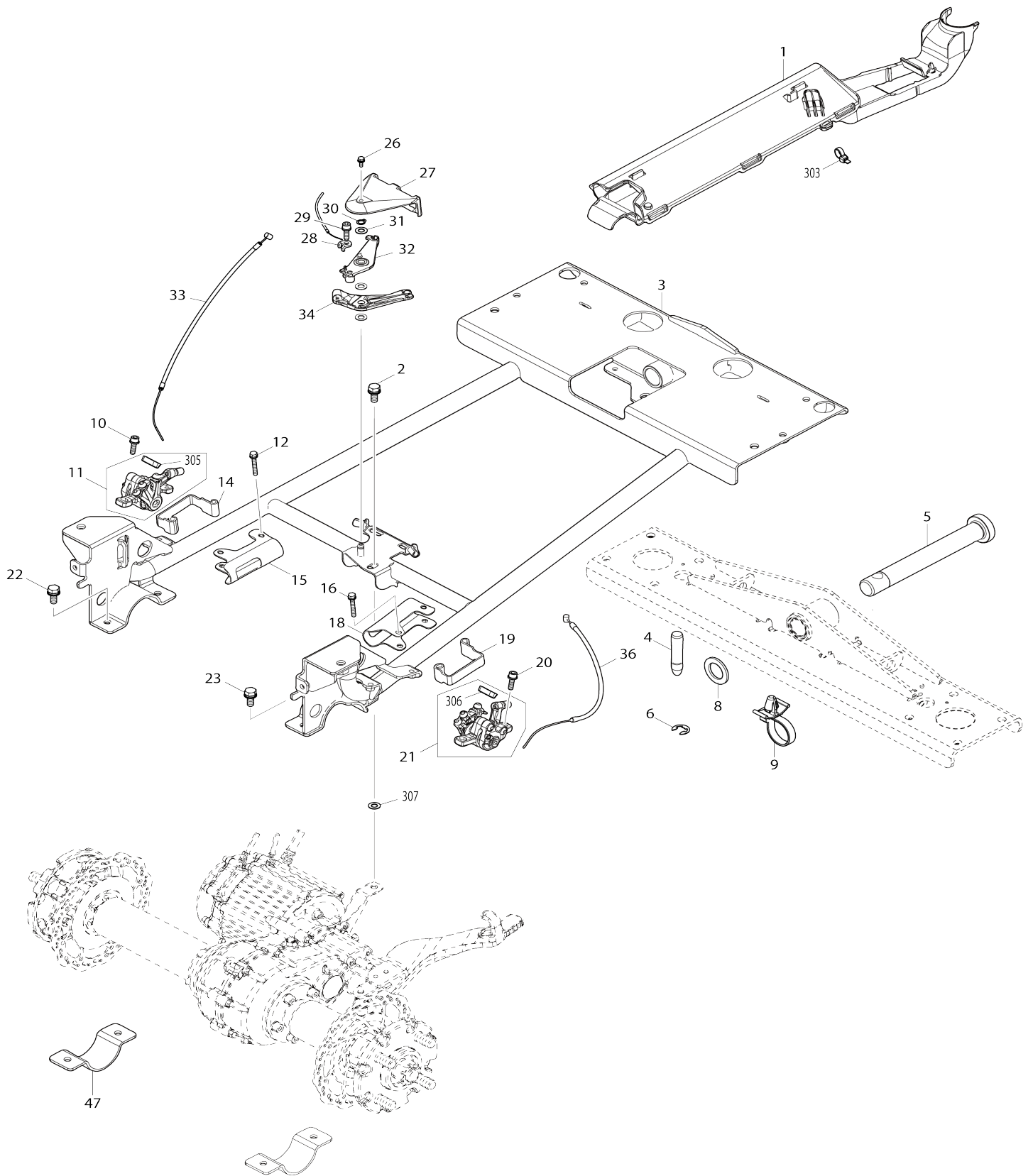
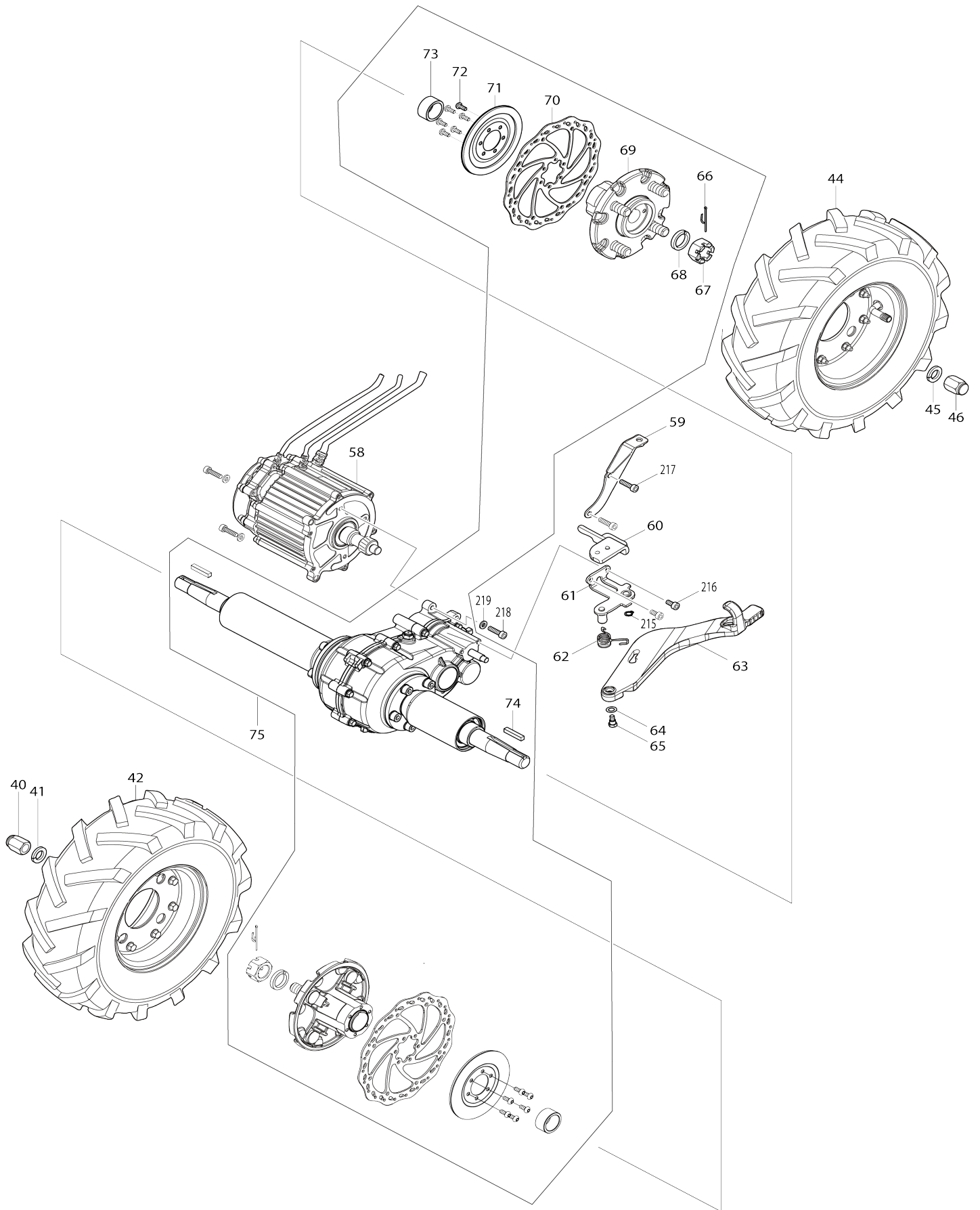


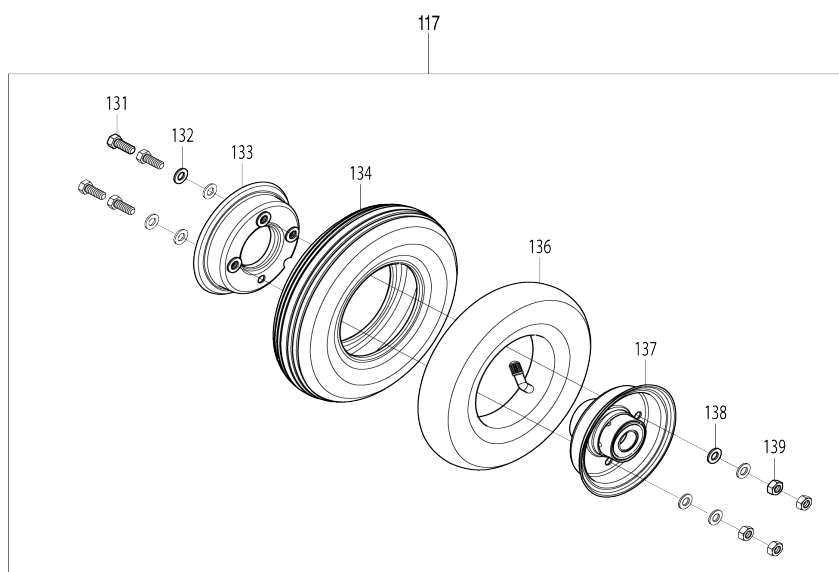
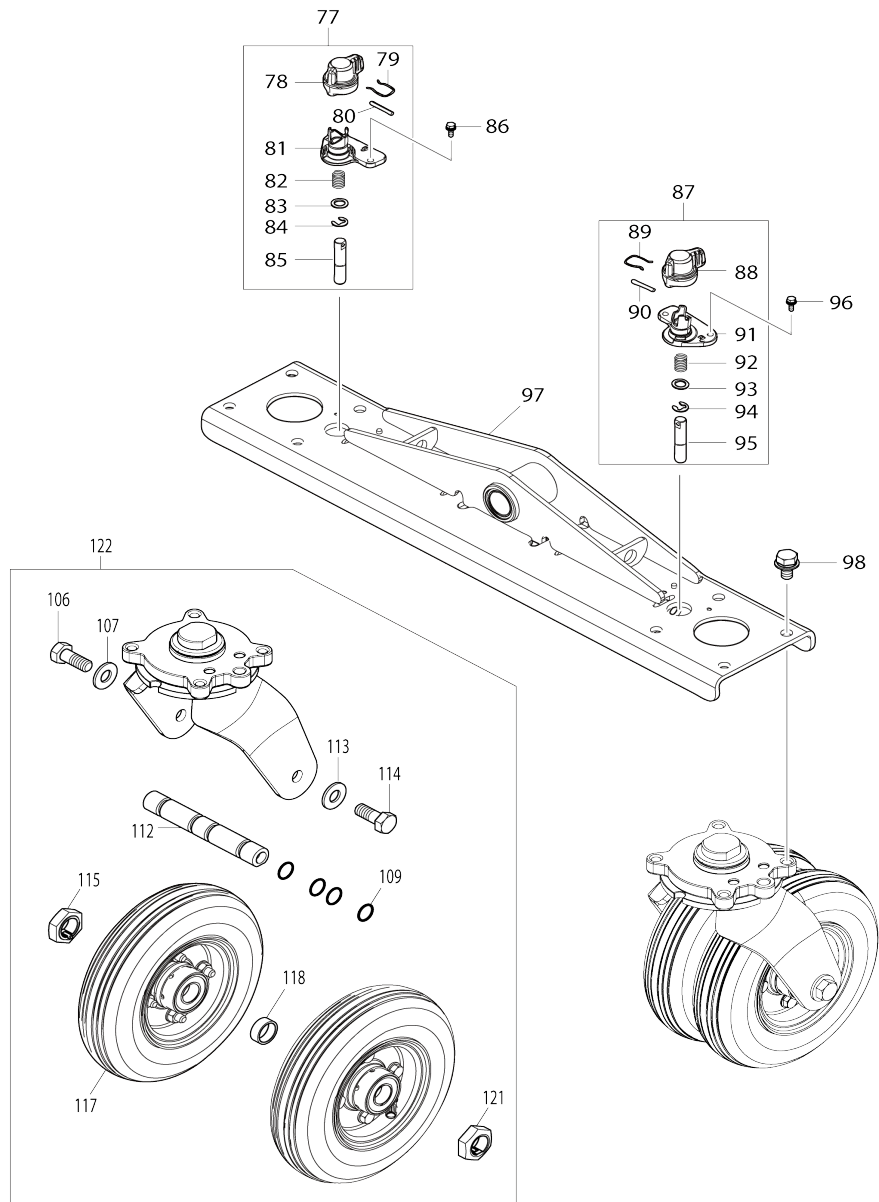
Model No.DCU602 BATTERY POWERED WHEELBARROW



Model No.DCU602 BATTERY POWERED WHEELBARROW

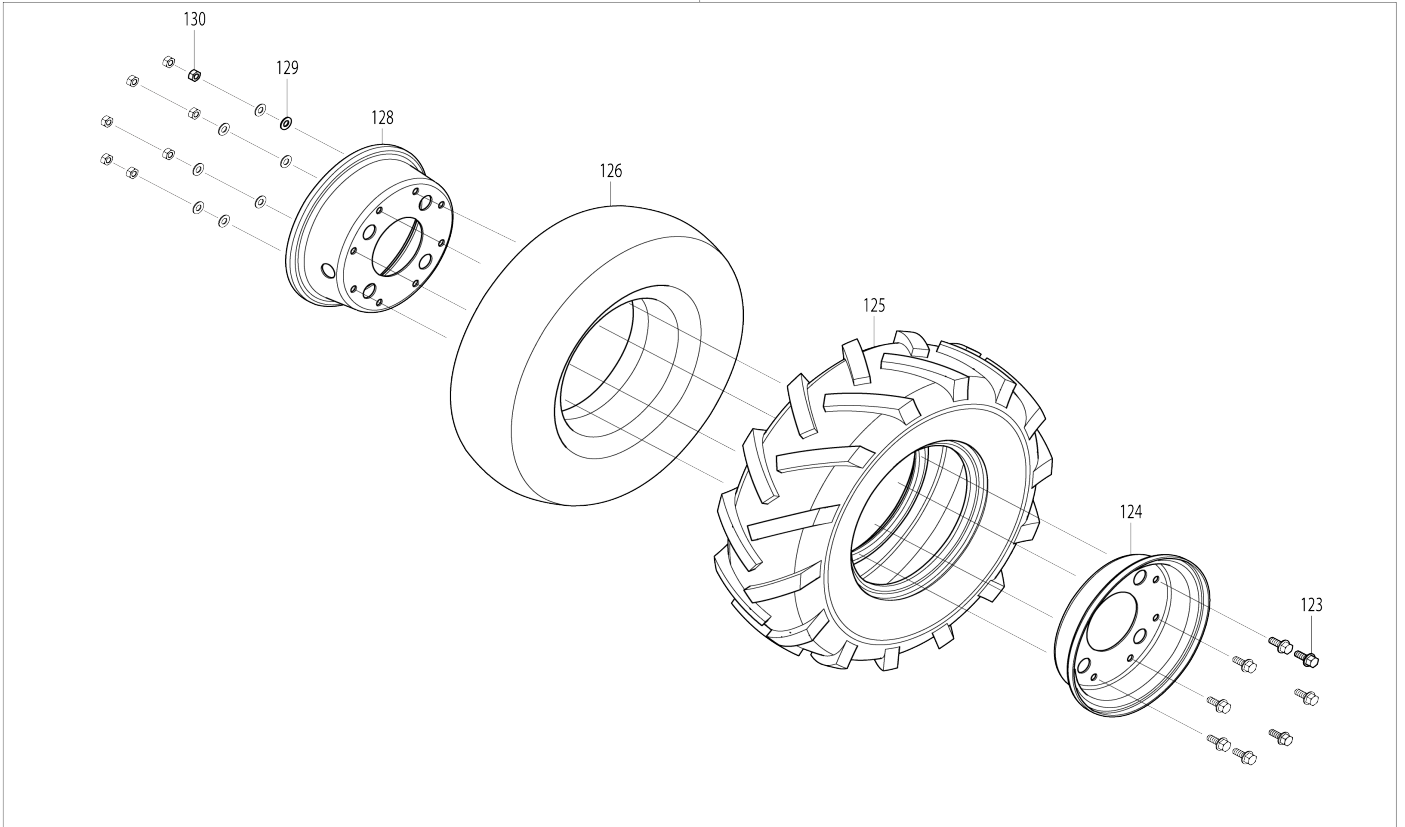


Model No.DCU602 BATTERY POWERED WHEELBARROW

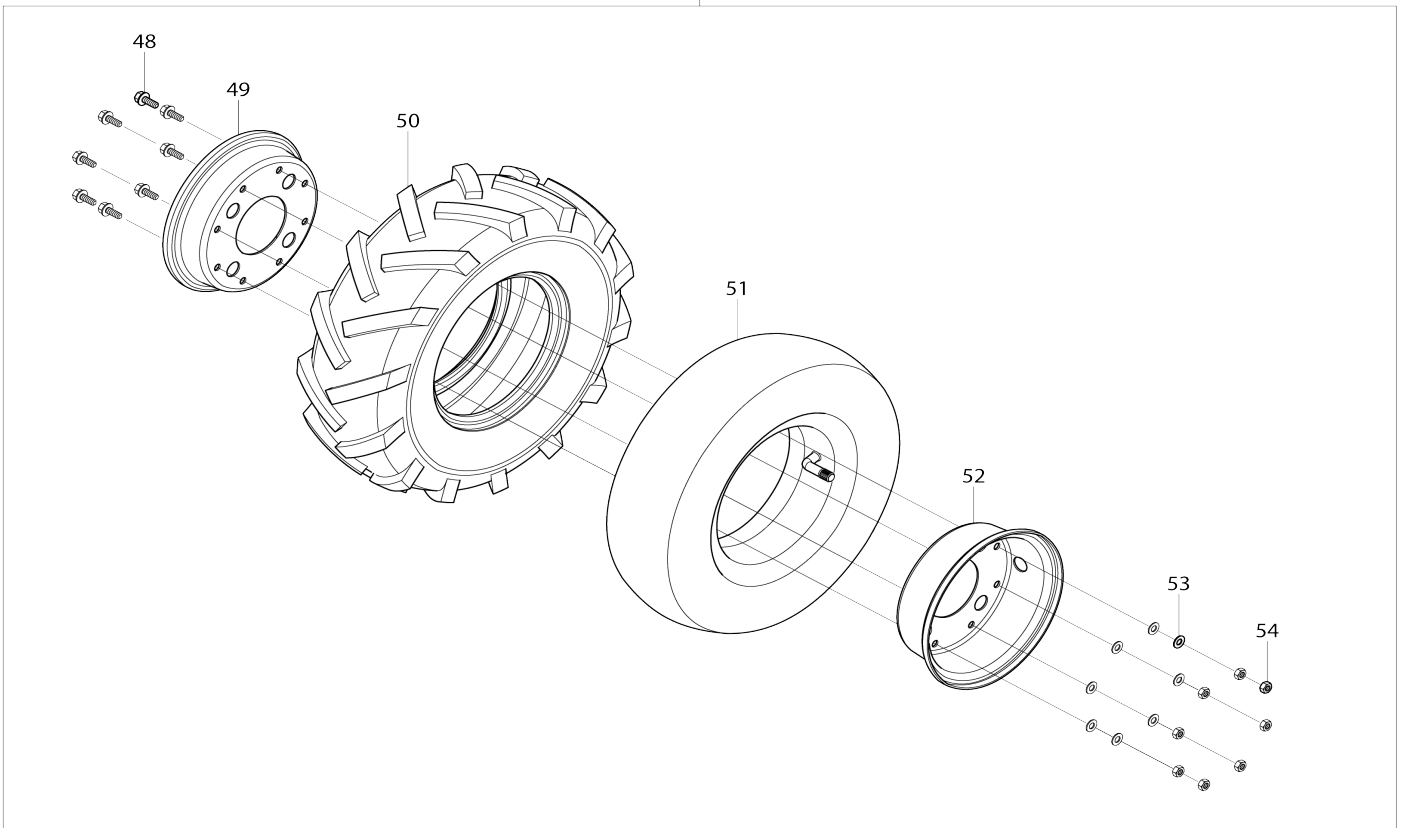


Model No.DCU602 BATTERY POWERED WHEELBARROW

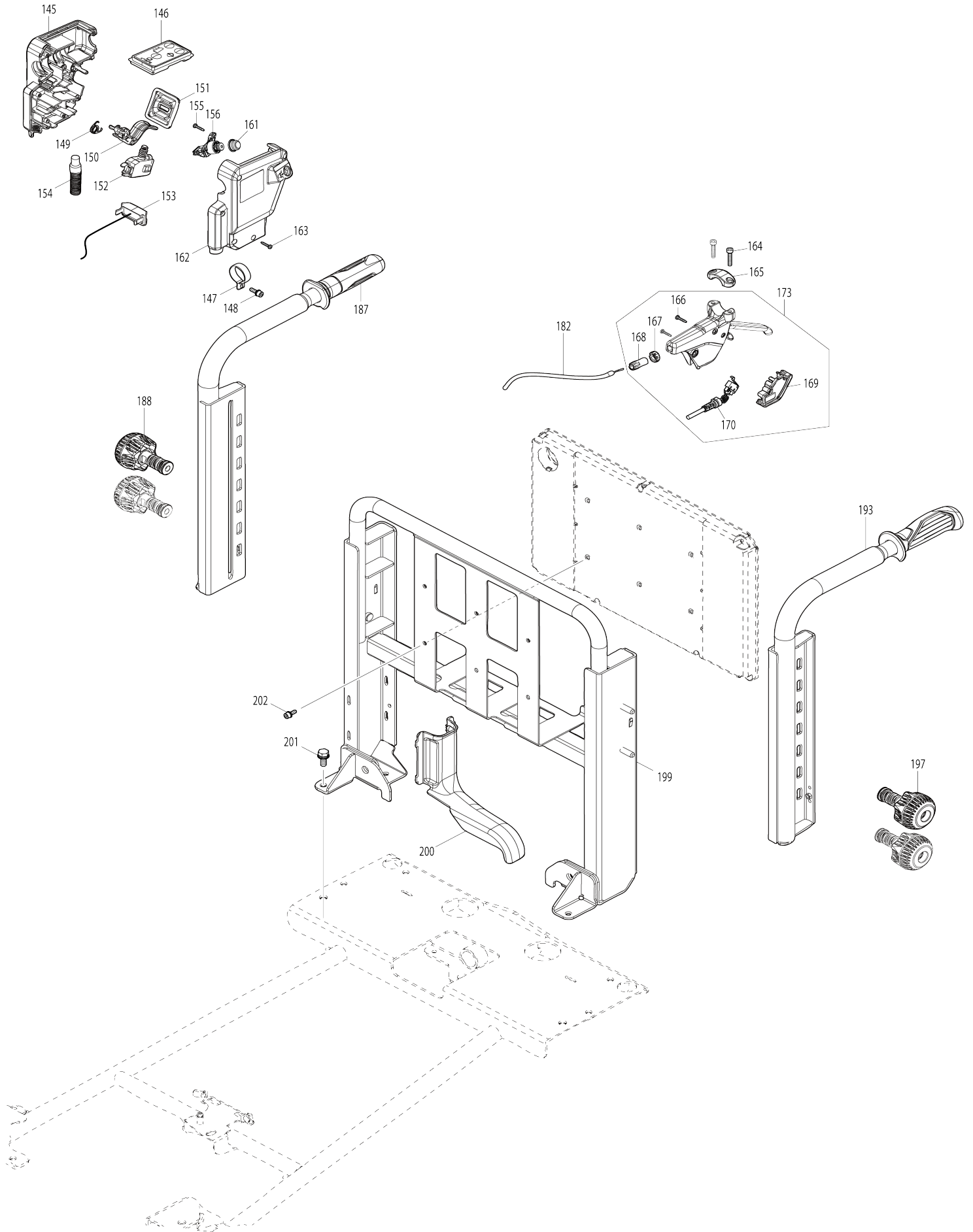
42



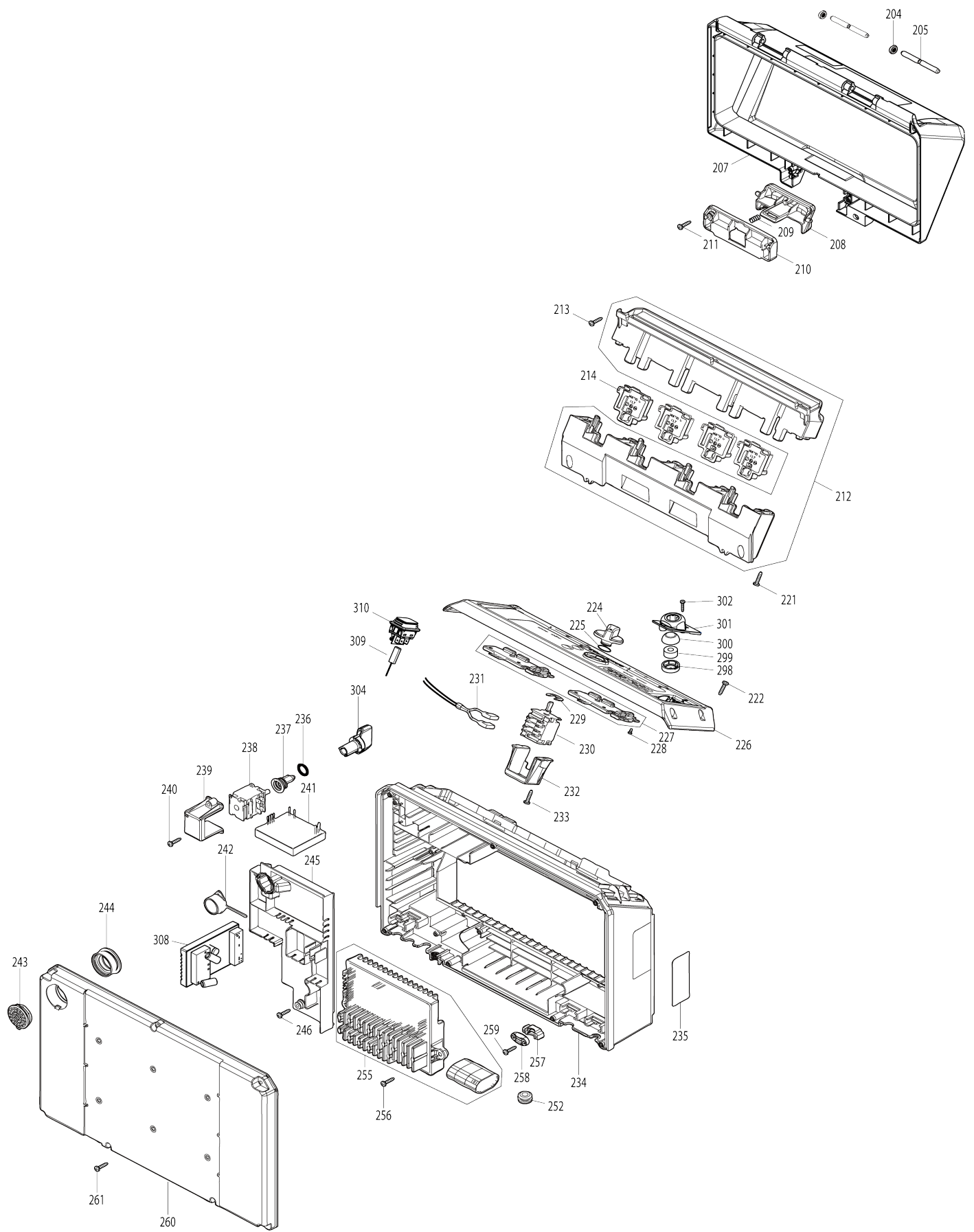
44



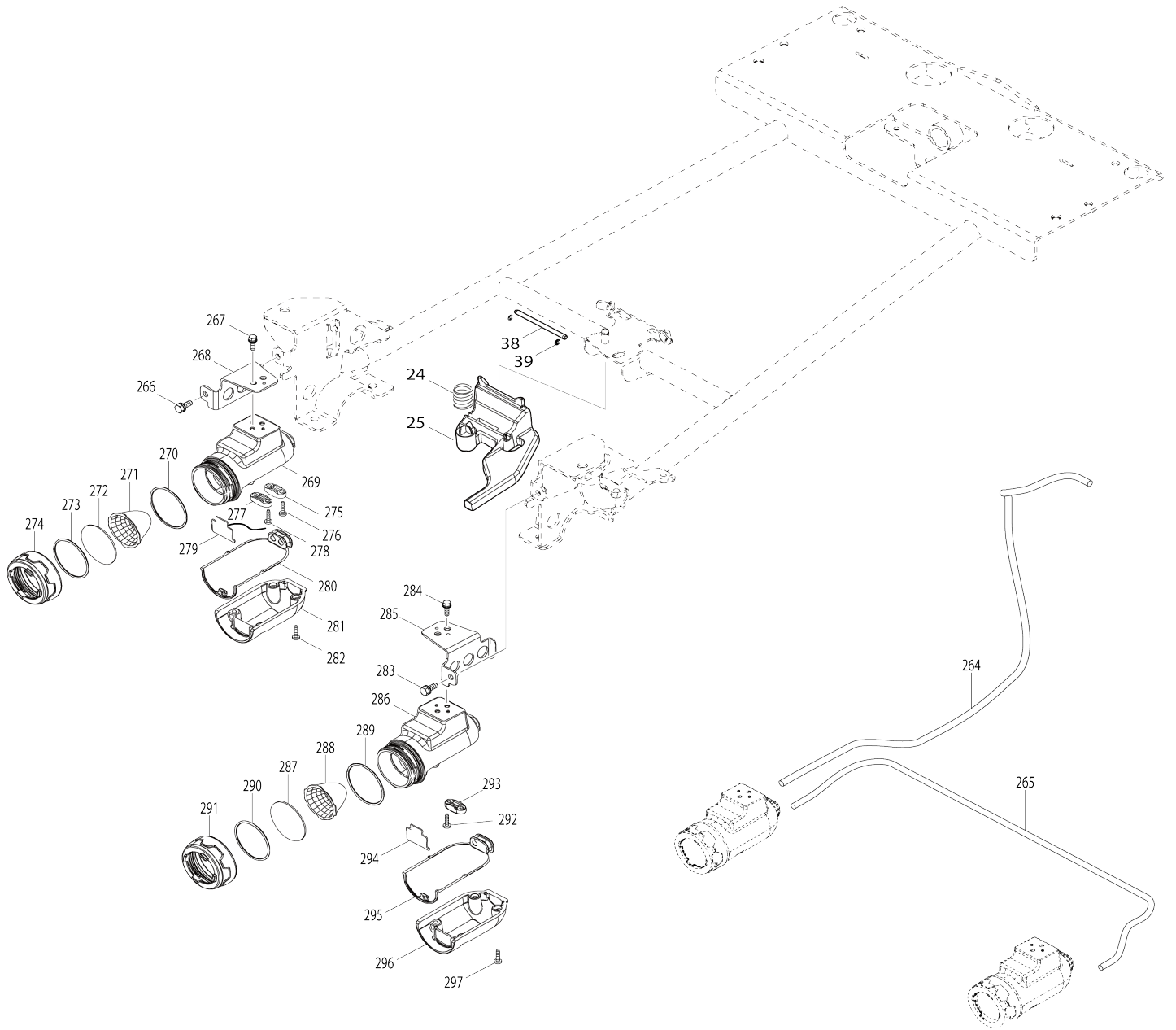
Model No.DCU602 BATTERY POWERED WHEELBARROW



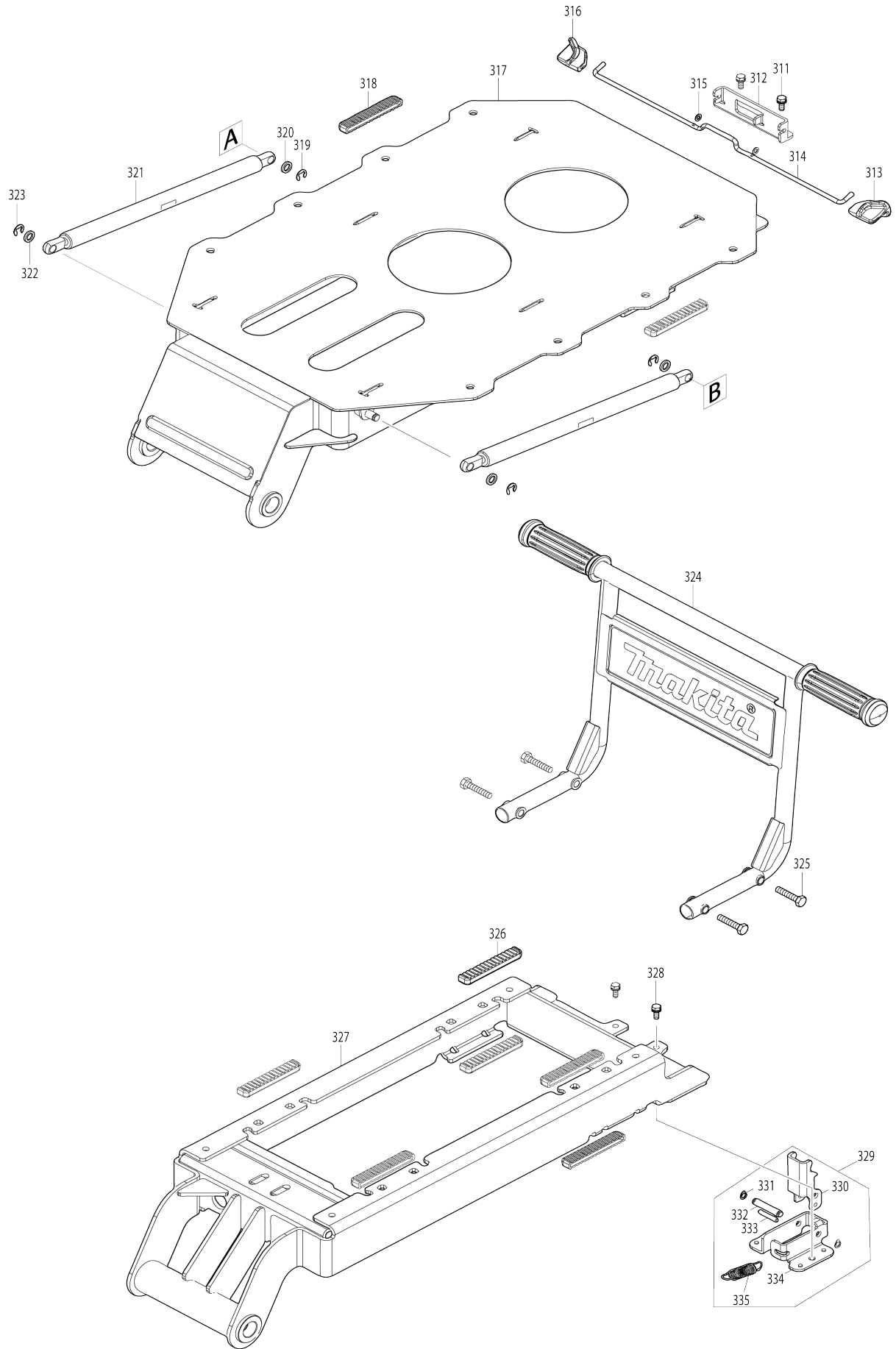
Model No.DCU602 BATTERY POWERED WHEELBARROW



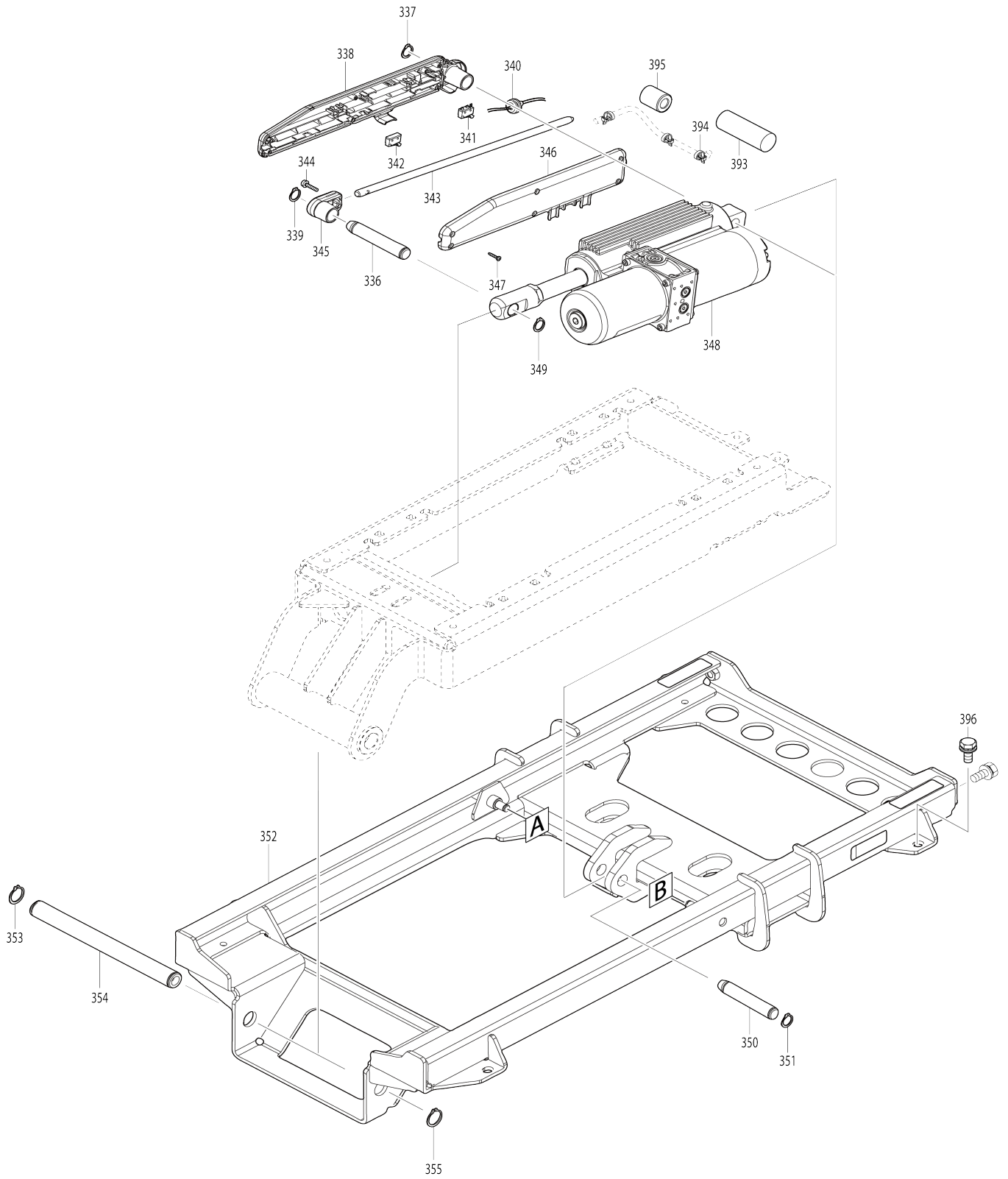
Model No.DCU602 BATTERY POWERED WHEELBARROW



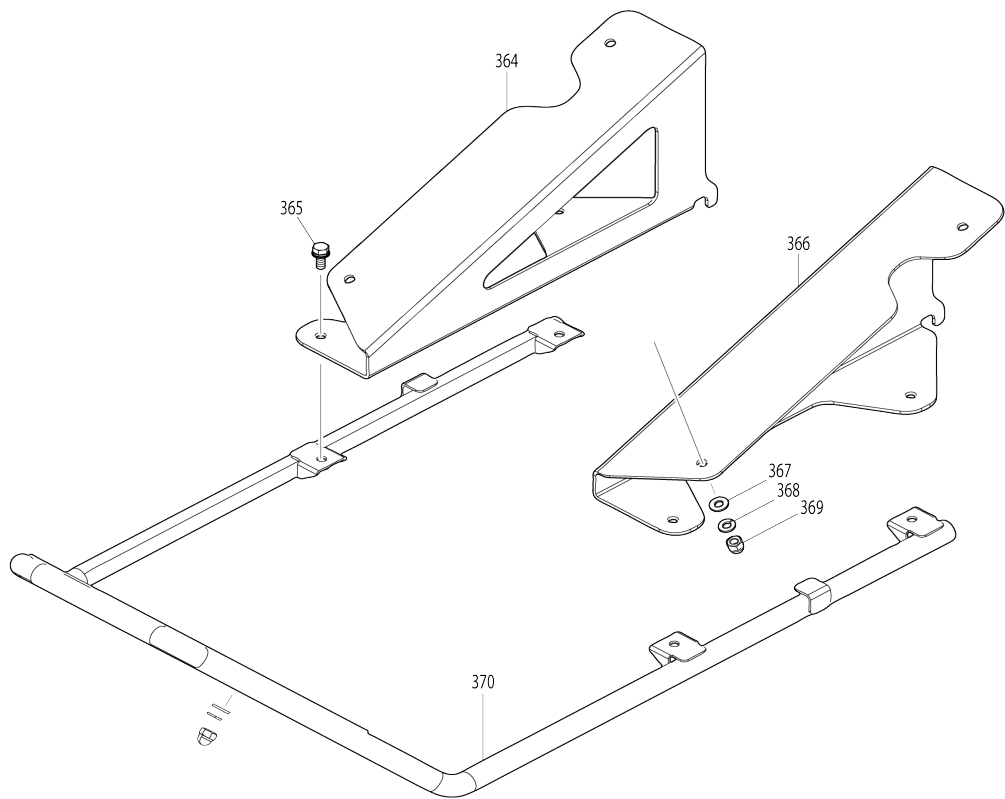
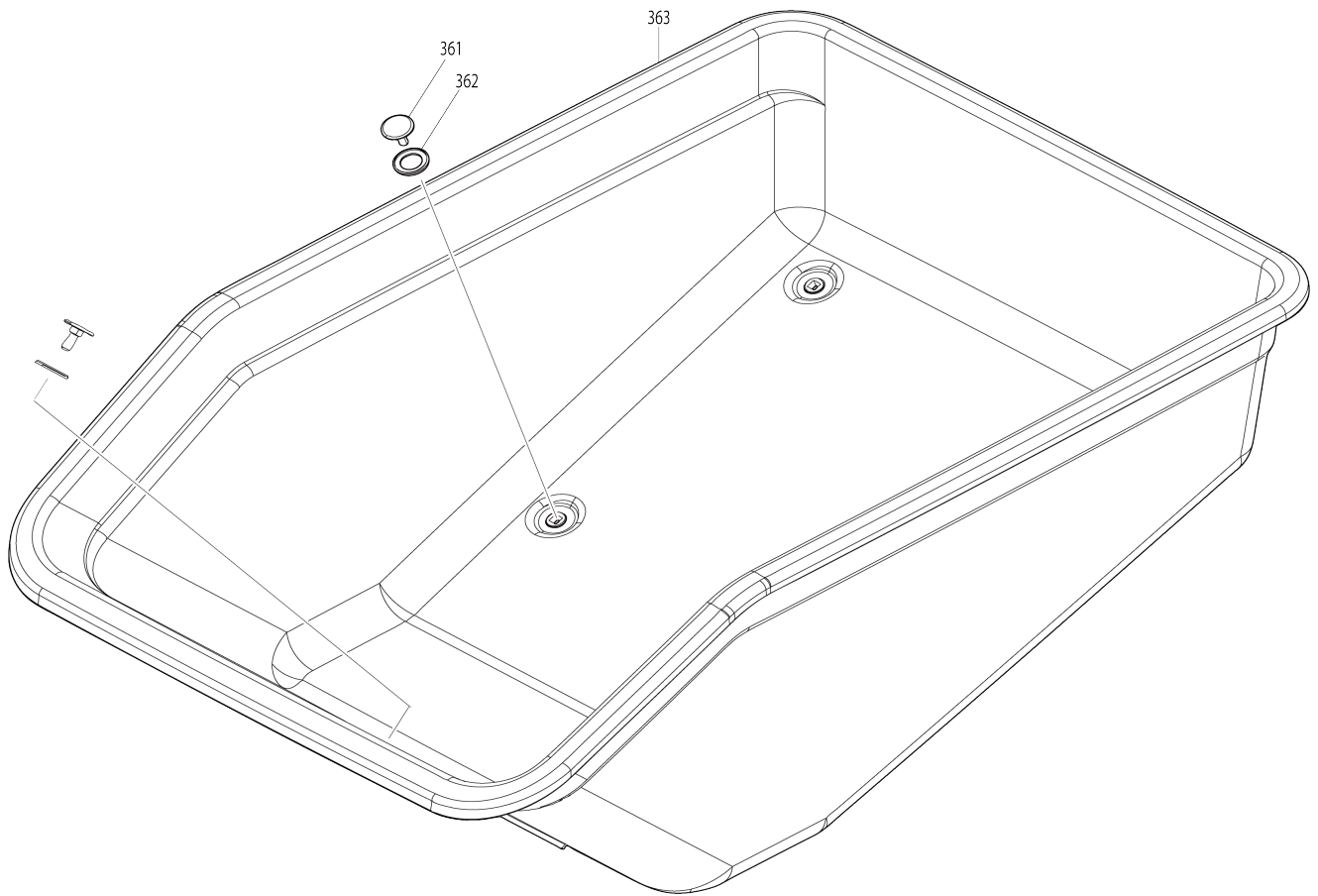
Model No.DCU602 BATTERY POWERED WHEELBARROW



Model No.DCU602 BATTERY POWERED WHEELBARROW



Model No.DCU602 BATTERY POWERED WHEELBARROW



Model No.DCU602 BATTERY POWERED WHEELBARROW

Obj. č.	Obj. č.	Popis	Možn ost zá měny	Množ ství	Nový/ Starý	Poznámka 1	Poznámka 2
001	412561-2	CORD COVER		1		kryt	
002	265B11-6	HEX. BOLT M8X20 WITH WR		1			
003	141P49-8	MAIN FRAME COMPLETE		1		hlavn	
C10	8064B2-0	INDICATION LABEL		1			
004	256940-2	PIN 14		1		pin 14	
005	327472-7	BASE SHAFT 25		1		z	
006	961062-2	STOP RING E-12		1		pru	
008	261163-9	RUBBER WASHER 25		1		pry	
009	687F01-7	BAND		1		p	
010	265D23-1	HEX. S.H.B M6X22 WITH GM		2			
011	136868-9	BRAKE CALIPER R ASS'Y		1			
011		INC. 305					
012	265C76-4	HEX. BOLT M5X35 WITH WR		2			
014	347993-3	SCRAPER		1			
015	347995-9	CLAMP R		1		svorka r	
016	265C76-4	HEX. BOLT M5X35 WITH WR		2			
018	347994-1	CLAMP L		1		svorka l	
019	347993-3	SCRAPER		1			
020	265D23-1	HEX. S.H.B M6X22 WITH GM		2			
021	136869-7	BRAKE CALIPER L ASS'Y		1		t	
021		INC. 306					
022	265B11-6	HEX. BOLT M8X20 WITH WR		2			
023	265B11-6	HEX. BOLT M8X20 WITH WR		2			
024	232737-3	COMPRESSION SPRING 19		1		pru	
025	413D27-9	NEUTRAL LEVER LOCK		1		z	
026	265C46-3	HEX. BOLT M4X12 WITH WG		1			
027	413D28-7	BRAKE EQUALIZER COVER		1		kryt brzdov	
028	347629-4	CABLE CLAMP		1		svorka	
029	265B14-0	H.S.H.BOLT M6X20 WITH WR		1			
030	961004-6	segrovka S-8		1		segrovka S-8	
031	253165-9	podložka 8 = old 923505		3		podlo	
032	319906-4	BRAKE EQUALIZER R		1		brzdov	
033	140P25-9	BRAKE CABLE 370		1		brzdov	
034	319905-6	BRAKE EQUALIZER L		1		brzdov	
036	140P25-9	BRAKE CABLE 370		1		brzdov	
038	256A03-0	ROD 4.5		1		ty	
039	961017-7	zajišťovací kroužek E-3		2		zaji	
040	252289-8	HEX. CAP NUT M14		4		hex. p	
041	253475-4	SPRING WASHER 14		4		pru	
042	141G99-9	TIRE 330 R ASSEMBLY		1		pneumatika	
042		INC. 123-126,128-130					
044	141H00-0	TIRE 330 L ASSEMBLY		1		pneumatika	
044		INC. 48-54					
045	253475-4	SPRING WASHER 14		4		pru	
046	252289-8	HEX. CAP NUT M14		4		hex. p	
047	347621-0	CLAMP 57		2		svorka 57	
048	265C39-0	HEX. FLANGE HD. BOLT M6X16		8			
049	347950-1	WHEEL 150		1			

050	422857-3	TIRE 330		1		
051	162B39-4	TUBE 330		1		
C10	GQ00000001	VALVE CAP M8		1		
052	347949-6	WHEEL 150		1		
053	253551-4	FLAT WASHER 6		8		
054	252308-0	HEX. NUT M6-10		8		
058	122E51-4	MOTOR ASSEMBLY		1		d
059	347698-5	DIFF BRACKET		1		dr
060	347A16-3	NEUTRAL LEVER		1		p
061	347697-7	NEUTRAL LEVER HOLDER		1		dr
062	232616-5	TORSION SPRING 14		1		pru
063	413D41-5	NEUTRAL CHANGE LEVER		1		p
064	253430-6	FLAT WASHER 8		1		
065	265465-5	SHOULDER HEX. BOLT M6		1		
066	NP00000001	SPLIT PIN 3-35		2		rozd
067	NP00000002	HEX. NUT M20		2		o
068	NP00000003	SPRING WASHER 22		2		pru
069	313304-4	HUB		2		rozbo
070	347208-8	BRAKE DISC		2		disk brzdy
071	141P62-6	PLATE COMPLETE		2		tal
072	265C87-9	H.S.B. HEAD SCREW M5X12		12		
073	327626-6	SLEEVE 25		2		ruk
074	NP00000004	KEY 6		2		kl
075	122D22-5	DIFFERENTIAL GEAR UNIT		1		diferenci
075		INC. 66-74				
077	122C29-5	TURNING LOCK R ASSEMBLY		1		oto
077		INC. 78-85				
078	413D33-4	LOCK LEVER		1		
079	327938-7	SNAP RETAINER		1		
080	268181-8	PIN 3		1		
081	413D32-6	LIFTER GUIDE R		1		
082	232617-3	COMPRESSION SPRING 10		1		
083	253173-0	FLAT WASHER 10		1		
084	961013-5	zajišťovací kroužek		1		zaji
085	256A04-8	PIN 10		1		
086	265C46-3	HEX. BOLT M4X12 WITH WG		2		
087	122C28-7	TURNING LOCK L ASSEMBLY		1		oto
087		INC. 88-95				
088	413D33-4	LOCK LEVER		1		
089	327938-7	SNAP RETAINER		1		
090	268181-8	PIN 3		1		
091	413D31-8	LIFTER GUIDE L		1		vodi
092	232617-3	COMPRESSION SPRING 10		1		
093	253173-0	FLAT WASHER 10		1		
094	961013-5	zajišťovací kroužek		1		zaji
095	256A04-8	PIN 10		1		
096	265C46-3	HEX. BOLT M4X12 WITH WG		2		
097	162712-4	REAR BASE		1		zadn
098	265B13-2	HEX. BOLT M10X20 WITH WG		8		
106	265B10-8	HEX BOLT M12X40		1		
107	253460-7	FLAT WASHER 13		1		ploch
109	213A73-2	O-RING 15		4		

112	327646-0	AXLE 20		1	n	
113	253460-7	FLAT WASHER 13		1	ploch	
114	265B10-8	HEX BOLT M12X40		1		
115	136835-4	HEX. SLEEVE 20 ASS'Y		1	ruk	
C10	263027-3	gumový čep HM0860C/HR4010C		1	gumov	
117	141H01-8	TIRE 210 ASSEMBLY		2	pneumatika	
117		INC. 131-134,136-139				
118	257498-4	RING 20		1	krou	
121	136835-4	HEX. SLEEVE 20 ASS'Y		1	ruk	
C10	263027-3	gumový čep HM0860C/HR4010C		1	gumov	
122	127457-1	CASTER 210 ASSEMBLY		2	kolo	
122		INC. 106,107,109,112-115,				
122		INC. 117,118,121				
123	265C39-0	HEX. FLANGE HD. BOLT M6X16		8		
124	347950-1	WHEEL 150		1		
125	422857-3	TIRE 330		1		
126	162B39-4	TUBE 330		1		
C10	GQ00000001	VALVE CAP M8		1		
128	347949-6	WHEEL 150		1		
129	253551-4	FLAT WASHER 6		8		
130	252308-0	HEX. NUT M6-10		8		
131	265C40-5	HEX. BOLT M8X20		4		
132	253552-2	FLAT WASHER 8		4		
133	347952-7	WHEEL 100		1		
134	422860-4	TIRE 210		1		
136	162B40-9	TUBE 210		1		
C10	GQ00000001	VALVE CAP M8		1		
137	347951-9	WHEEL 100		1		
138	253552-2	FLAT WASHER 8		4		
139	252309-8	HEX. NUT M8-13		4		
145	183X90-3	SWITCH BOX SET		1	sp	
C10	8065A9-5	CAUTION LABEL		1		
145		INC. 162				
146	140P26-7	SWITCH CIRCUIT COMPLETE		1	sp	
C10	183X57-1	SWITCH PLATE SET		1		
C20	266490-9	TAPPING SCREW PT 2X6		3		
147	346249-1	PIPE CLAMP 28		1		
148	265A97-4	H.S.H.BOLT M5X16 WITH WR		1		
149	232738-1	TORSION SPRING 11		1	pru	
150	412206-2	SWITCH LEVER		1	sp	
151	422554-1	LEVER COVER		1	kryt p	
152	651395-0	SWITCH C3JW-6B-PA6N		1	vyp	
153	620C26-0	LED CIRCUIT		1	led okruh	
154	699178-0	POWER SUPPLY CORD UNIT		1	kabel	
155	266130-9	šroub PT 3X		2		
156	122C26-1	BUZZER SWITCH ASSEMBLY		1	sp	
C10	632T14-7	SWITCH UNIT		1		
161	422555-9	SWITCH COVER		1	kryt sp	
162	183X90-3	SWITCH BOX SET		1	sp	
C10	8065A9-5	CAUTION LABEL		1		
162		INC. 145				

163	266130-9	šroub PT 3X		6		
164	265C98-4	HEX SOCKET HEAD BOLT M5X25		2		
165	312C48-1	CLAMP 22		1		svorka 22
166	266130-9	šroub PT 3X		2		
167	312C44-9	ADJUST NUT		1		
168	312C43-1	ADJUST BOLT		1		
169	413D25-3	SWITCH HOLDER		1		
170	632T13-9	SWITCH UNIT		1		
173	127458-9	BRAKE LEVER ASSEMBLY		1		p
173		INC. 166-170				
182	140P23-3	BRAKE CABLE 1590		1		brzdov
187	140T47-3	HANDLE R COMPLETE		1		rukoje
188	141H20-4	HANDLE LOCK KNOB		2		knofl
C10	232739-9	COMPRESSION SPRING 15		2		
C20	313400-8	SPRING HOLDER		2		
193	140P15-2	HANDLE L COMPLETE		1		rukoje
197	141H20-4	HANDLE LOCK KNOB		2		knofl
C10	232739-9	COMPRESSION SPRING 15		2		
C20	313400-8	SPRING HOLDER		2		
199	141N97-5	HANDLE BASE COMPLETE		1		z
C10	8059G2-2	INDICATION LABEL		1		
200	412562-0	HANDLE BASE COVER		1		kryt z
201	265B11-6	HEX. BOLT M8X20 WITH WR		4		
202	265A96-6	H.S.H.BOLT M5X14 WITH WR		6		
204	262206-0	RUBBER RING 6		2		gumov
205	256942-8	ROD 6		2		ty
207	141K01-6	BATTERY COVER COMPLETE		1		kryt baterie komplet n
C10	8048W7-5	CAUTION LABEL		1		
C20	8059G1-4	INDICATION LABEL		1		
C30	816M70-5	INDICATION LABEL		1		
208	412195-1	BATTERY COVER HOOK		1		h
209	231240-1	vinutá pružina 7		1		vinut
210	412533-7	HOOK RETAINER		1		dr
211	266326-2	šroub 4x18=new265995-6		2		
212	183V34-1	TERMINAL CASE SET		1		koncovka
C10	263005-3	vymezovací čep 6		8		
213	266326-2	šroub 4x18=new265995-6		5		
214	644809-6	TERMINAL		4		kontakt
215	961004-6	segrovka S-8		1		segrovka S-8
216	265C85-3	HEX SOCKET HEAD BOLT M6X12		2		
217	265C86-1	HEX SOCKET HEAD BOLT M6X22		2		
218	265C86-1	HEX SOCKET HEAD BOLT M6X22		3		
219	347A43-0	SPACER 6		3		vymezova
221	266326-2	šroub 4x18=new265995-6		5		
222	266326-2	šroub 4x18=new265995-6		4		
224	412196-9	CHANGE LEVER		1		v
225	213A15-6	O-RING 14		1		o-krou
226	140P19-4	TOP COVER COMPLETE		1		horn
C10	8048W3-3	INDICATION LABEL		1		
227	620C24-4	INDICATION CIRCUIT		1		indika
228	265C42-1	TAPPING SCREW 3X6		10		

229	961062-2	STOP RING E-12		1		pru	
230	651444-3	SWITCH 1703.4703		1		vyp	
231	638A27-2	LEAD UNIT		1		ovl	
232	451343-7	SWITCH HOLDER		1		dr	
233	266326-2	šroub 4x18=new265995-6		2			
234	412188-8	CENTER CASE		1		pouzdro	
235	858Y58-1	DCU602 NAME PLATE		1			
236	213A15-6	O-RING 14		1		o-krou	
237	413D29-5	KEY JOINT		1		kloub	
238	650622-2	SWITCH		1		vyp	
239	451343-7	SWITCH HOLDER		1		dr	
240	266326-2	šroub 4x18=new265995-6		2			
241	620G67-0	CONTROLLER		1		ovlada	
242	620C25-2	BUZZER CIRCUIT		1		obvod	
243	413D35-0	BUZZER COVER		1		kryt	
244	422840-0	GROMMET		1		t	
245	412194-3	INNER CASE		1		vnit	
246	266326-2	šroub 4x18=new265995-6		2			
252	682141-0	GROMMET		1		pr	
255	620C21-0	CONTROLLER		1		elektronika DCU601 DCU604	
256	266326-2	šroub 4x18=new265995-6		2			
257	687051-6	svorka kabelu - nahrazuje 26104 1		3		svorka kabelu - nahra zuje 261041	
258	687124-5	držák kabelu		3		dr	
259	266326-2	šroub 4x18=new265995-6		6			
260	412190-1	FRONT COVER		1		p	
261	266326-2	šroub 4x18=new265995-6		7			
264	699180-3	POWER SUPPLY CORD UNIT		1		kabel	
265	699181-1	POWER SUPPLY CORD UNIT		1		kabel	
266	265B16-6	HEX. BOLT M6X16 WITH WR		1			
267	265B17-4	HEX. BOLT M5X16 WITH WR		2			
268	347622-8	LIGHT STAY R		1		osv	
269	319594-7	LIGHT CASE		1		obal sv	
270	213656-2	o-kroužek 53		1		o krou	
271	457636-0	REFLECTOR		1		reflektor	
272	457634-4	LENS		1			
273	213604-1	o-kroužek 50		1		o-krou	
274	457635-2	COVER		1		kryt DCU180Z	
275	687124-5	držák kabelu		1		dr	
276	266034-5	šroub = old 933417		2			
277	687124-5	držák kabelu		1		dr	
278	266034-5	šroub = old 933417		2			
279	620685-2	LED CIRCUIT		1		okruh LED osv	
280	422151-3	PACKING		1			
281	319595-5	LIGHT CASE COVER		1		kryt sv	
282	266034-5	šroub = old 933417		4			
283	265B16-6	HEX. BOLT M6X16 WITH WR		1			
284	265B17-4	HEX. BOLT M5X16 WITH WR		2			
285	347623-6	LIGHT STAY L		1		osv	
286	319594-7	LIGHT CASE		1		obal sv	
287	457634-4	LENS		1			

288	457636-0	REFLECTOR		1		reflektor	
289	213656-2	o-kroužek 53		1		o krou	
290	213604-1	o-kroužek 50		1		o-krou	
291	457635-2	COVER		1		kryt DCU180Z	
292	266034-5	šroub = old 933417		2			
293	687124-5	držák kabelu		1		dr	
294	620685-2	LED CIRCUIT		1		okruh LED osv	
295	422166-0	PACKING		1			
296	319595-5	LIGHT CASE COVER		1		kryt sv	
297	266034-5	šroub = old 933417		4			
298	413D37-6	LEVEL CASE		1		obal	
299	242101-0	LEVEL INDICATOR		1		indik	
300	413D36-8	LEVEL COVER		1		kryt	
301	413D38-4	LEVEL RETANER		1		kryt	
302	266130-9	šroub PT 3X		2			
303	687F00-9	BAND		1		p	
304	413D30-0	KEY		1		kl	
305	422961-8	PAD RETAINER		1			
306	422961-8	PAD RETAINER		1			
307	941201-0	podložka 8		1		podlo	
308	620C22-8	CONTROLLER		1		elektronika DCU601 DCU605	
309	638A28-0	LEAD UNIT		1		spojovac	
310	651488-3	SWITCH 1939.3322		1		vyp	
311	265B16-6	HEX. BOLT M6X16 WITH WR		2			
312	347628-6	HOLDER		1		dr	
313	412197-7	KNOB		1		knofl	
314	327470-1	ROD 5		1		ty	
315	941102-2	podložka 5		2		podlo	
316	412197-7	KNOB		1		knofl	
317	162717-4	UPPER FRAME		1		horn	
318	422556-7	CUSHION RUBBER		2		guma	
319	961014-3	zajišťovací kroužek		2			
320	941252-3	podložka 10		2		podlo	
321	162816-2	GAS SPRING 240		2		pru	
322	941252-3	podložka 10		2		podlo	
323	961014-3	zajišťovací kroužek		2			
324	140P16-0	DUMP HANDLE COMPLETE		1	*	rukoje	
C10	8048W5-9	MAKITA LOGO LABEL		1	*		
324-1	141R22-0	DUMP HANDLE COMPLETE	<	1			
C10	8048W5-9	MAKITA LOGO LABEL		1			
325	921461-0	HEX. BOLT M8X40		4			
326	422556-7	CUSHION RUBBER		6		guma	
327	162735-2	LOWER FRAME		1		spodn	
328	265B16-6	HEX. BOLT M6X16 WITH WR		2			
329	122C30-0	DUMP LOCK ASSEMBLY		1		z	
329		INC. 330-335					
330	347626-0	ARM		1			
331	961004-6	segrovka S-8		2		segrovka S-8	
332	256943-6	PIN 8		1			
333	256196-7	čep 5		1			
334	347627-8	BASE		1			

335	232618-1	TENSION SPRING 11		1		
336	327479-3	ROD END SHAFT 16		1		
337	961056-7	pojistný kroužek 5014 /28		1		pojistn
338	412201-2	SWITCH CASE		1		
339	961056-7	pojistný kroužek 5014 /28		1		pojistn
340	699179-8	POWER SUPPLY CORD UNIT		1		
341	632L48-2	SWITCH UNIT		1		vyp
342	632T59-5	SWITCH UNIT		1		
343	256941-0	ROD 8		1		
344	911139-3	PAN HEAD SCREW M4X20 WG		1		
345	412203-8	ROD END		1		
346	412202-0	SWITCH COVER		1		
347	266130-9	šroub PT 3X		6		
348	162738-6	HYDRAULIC UNIT		1		hydraulick
349	961056-7	pojistný kroužek 5014 /28		1		pojistn
350	327479-3	ROD END SHAFT 16		1		
351	961056-7	pojistný kroužek 5014 /28		1		pojistn
352	141N99-1	ELECTRIC DUMP BASE COMPLETE		1		z
C10	8059G3-0	CAUTION LABEL		2		
C20	8059G6-4	INDICATION LABEL		1		
C30	8059G7-2	INDICATION LABEL		1		
353	961102-6	RETAINING RING S-22		1		krou
354	327474-3	SHAFT 22		1		h
355	961102-6	RETAINING RING S-22		1		krou
361	265B12-4	FLAT H. SQUARE NECK BOLT M8 X24		6		
362	261164-7	RUBBER WASHER 20		6		pry
363	412198-5	DUMP BUCKET 200		1		korba DCU603
364	347624-4	BUCKET BASE R		1		d
365	265B11-6	HEX. BOLT M8X20 WITH WR		4		
366	347625-2	BUCKET BASE L		1		d
367	941201-0	podložka 8		6		podlo
368	942201-3	pérová podložka 8		6		p
369	252278-3	HEX. CAP NUT M8		6		matka
370	141N86-0	BUCKET GUARD COMPLETE		1		r
C10	457744-7	CAP 22		2		
393	684980-4	POLYOLEFIN TUBE		1		pr
394	687F00-9	BAND		2		p
395	688140-0	LINE FILTER		1		filtr HW1300 LF1000
396	265508-3	HEX.BOLT M10X25		6		

Prosím uveďte objednáčíslo dílu v objednávce

Datum tisku 18. 10. 2024