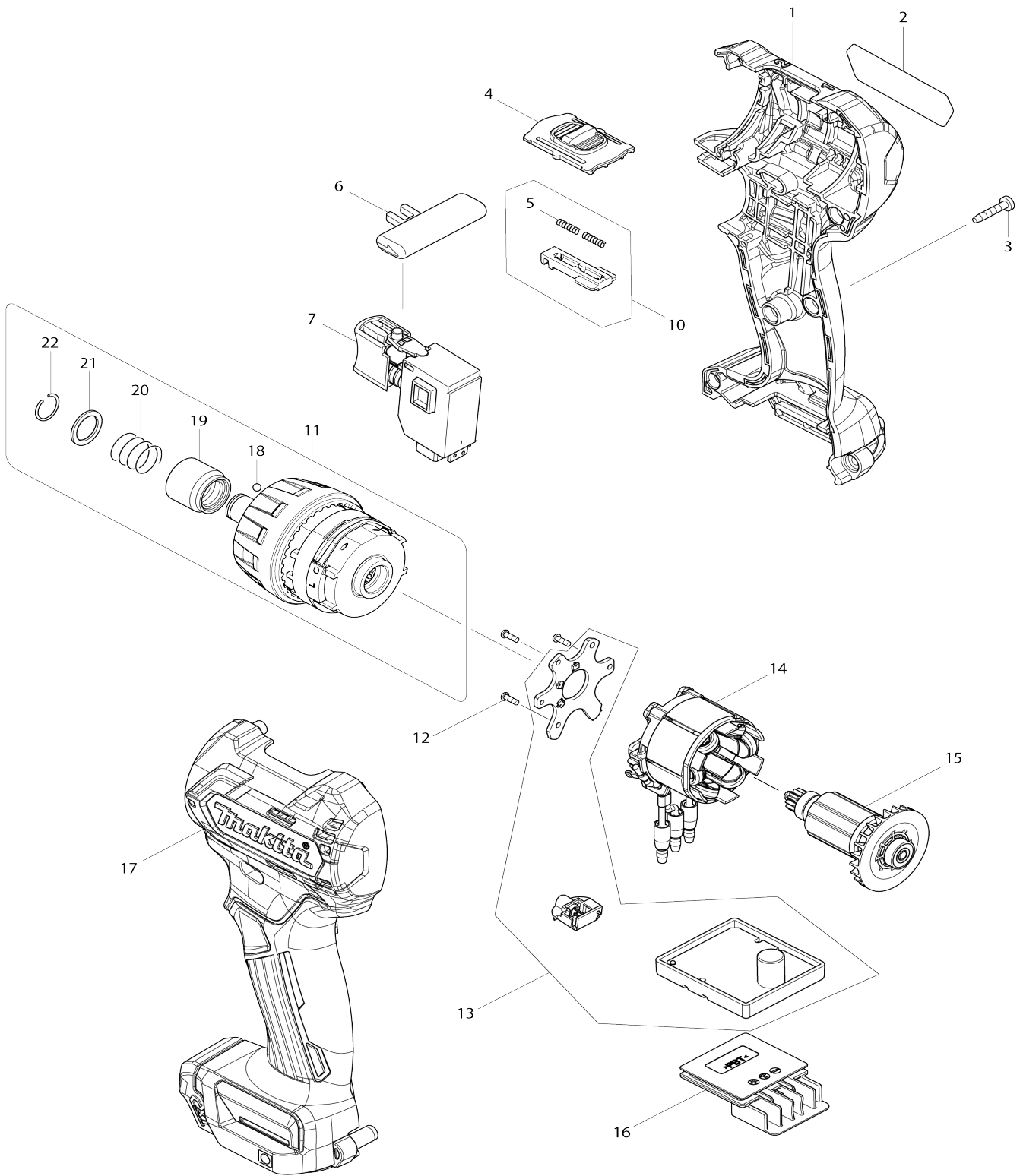


# Model No.DF032D CORDLESS DRIVER DRILL



**Model No.DF032D CORDLESS DRIVER DRILL**

Obj. č.	Obj. č.	Popis	Možn ost zá měny	Množ ství	Nový/ Starý	Poznámka 1	Poznámka 2
001	183C34-7	HOUSING SET		1		obal stroje	
001		INC. 17					
002	851U10-4	DF032D NAME PLATE		1	*		
002-1	851U09-9	DF032D NAME PLATE	<	1			
003	266429-2	TAPPING SCREW 3X16		8			
004	456532-9	SPEED CHANGE LEVER		1		p	
005	233025-1	vinutá pružina 2 6702DW		2			
006	419041-9	přepínač chodu L/P BDF440		1		p	
007	650689-0	vypínač		1		vyp	
010	123587-6	CHANGE LEVER ASS'Y		1		p	
010		INC. 5					
011	123550-9	GEAR ASSEMBLY		1	*	p	
011		INC. 18-22			*		
011-1	123869-6	GEAR ASSEMBLY N	O	1	*		
011-1		INC. 18-22			*		
011-2	127599-1	GEAR ASSEMBLY M	<	1	*	p	
011-2		INC. 18-22			*		
011-3	127599-1	GEAR ASSEMBLY M	O	1		p	
011-3		INC. 18-22					
012	266490-9	TAPPING SCREW PT 2X6		3			
013	620487-6	CONTROLLER		1	*	elektronika DF032D DF332D HP332D=ne w620B33-7	
013-1	620487-6	CONTROLLER	O	1	*	elektronika DF032D DF332D HP332D=ne w620B33-7	
C10	620553-9	LED CIRCUIT		1	*		
013-2	620B33-7	CONTROLLER	<	1		ovlada	
C10	620553-9	LED CIRCUIT		1			
014	629178-6	STATOR		1		stator	
015	619393-0	ROTOR		1	*	rotor HP332D/DF332 D/032D	
015-1	619410-6	ROTOR	O	1	*	rotor DHP483 / DDF4 83	
015-2	619410-6	ROTOR	O	1		rotor DHP483 / DDF4 83	
016	644813-5	TERMINAL		1		terminal	
017	183C34-7	HOUSING SET		1		obal stroje	
017		INC. 1					
018	216019-1	kulička pr.3mm		2		kuli	
019	326677-6	BIT SLEEVE		1			
020	233005-7	vinutá pružina 13		1		vinut	
021	347004-4	BIT WASHER		1			
022	231965-7	zajišťovací kroužek 10mm		1		zaji	
A01	251314-2	028078		1			
A02	346909-5	HOOK		1			
A03	784244-7	+ BIT 2-50		1			
A04	456128-6	BATTERY COVER		1			
A05	***DC10SA	DC10SA BATTERY CHARGER		1	*		
A05		COMPO-PARTS			*		

A05-1	***DC10SB	DC10SB BATTERY CHARGER	<	1		
A05-1		COMPO-PARTS				
A06	197394-3	BATTERY BL1020B SET		2	*	
A06-1	197396-9	BATTERY BL1021B SET	<	2	*	
A06-2	197396-9	BATTERY BL1021B SET	O	2		
A07	821661-1	PLASTIC CARRYING CASE		1		
C10	417724-5	sponka ke kufru 6317DW		2		sponka ke kufru HR2 450 HR2470 HR2470T
F03	198968-3	BATTERY BL1016 SET		1	*	
F04	198969-1	BATTERY BL1016 SET (2PIECES)		1	*	
F05-1	198970-6	BATTERY BL1021B SET (2PIECES)	O	1	*	
F06-1	199002-2	BATTERY BL1041B SET (2PIECES)	O	1	*	
F40	347C56-3	HOOK		1		

Prosím uveďte objednáací číslo dílu v objednávce

Datum tisku 18. 10. 2024