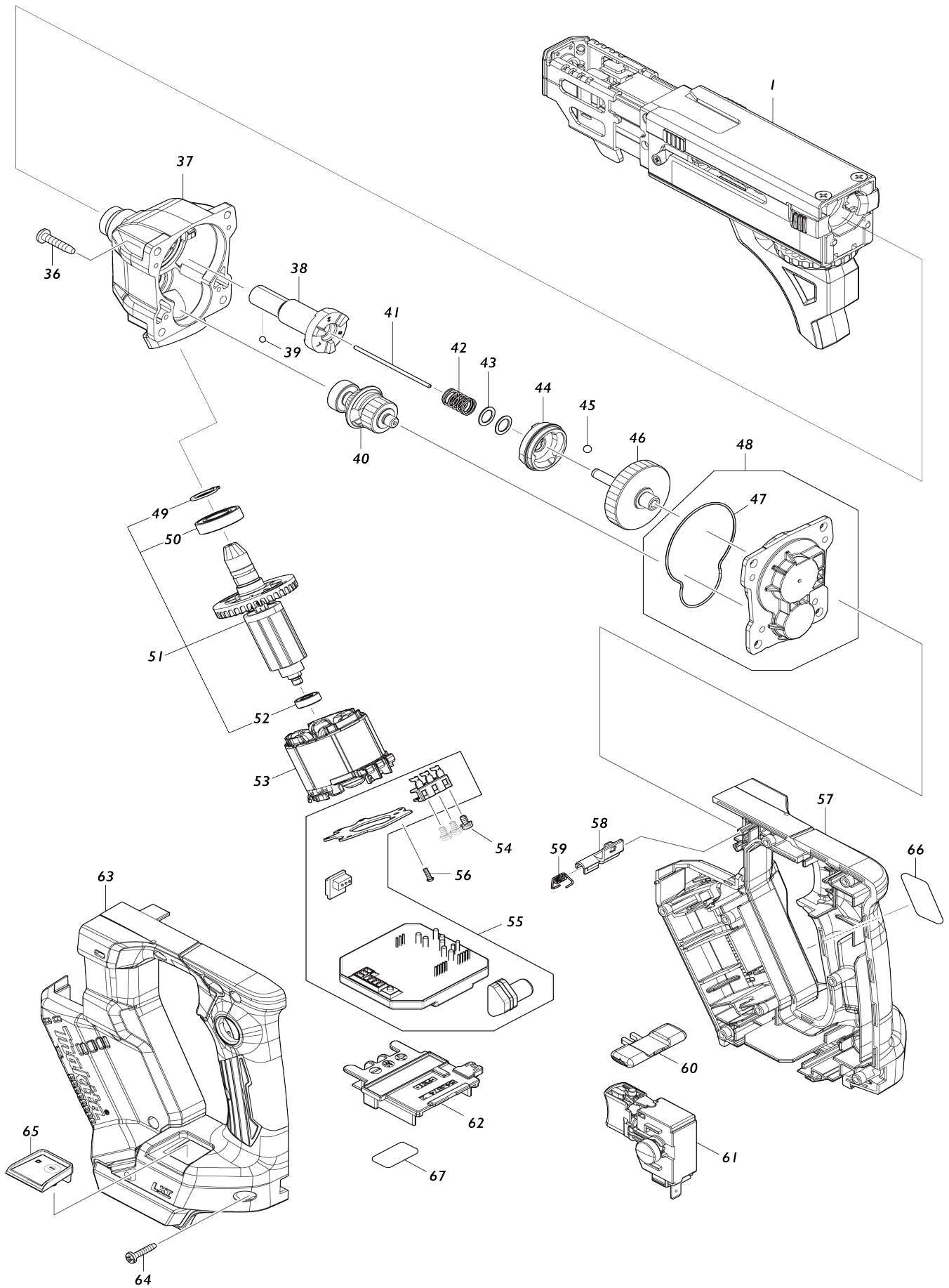
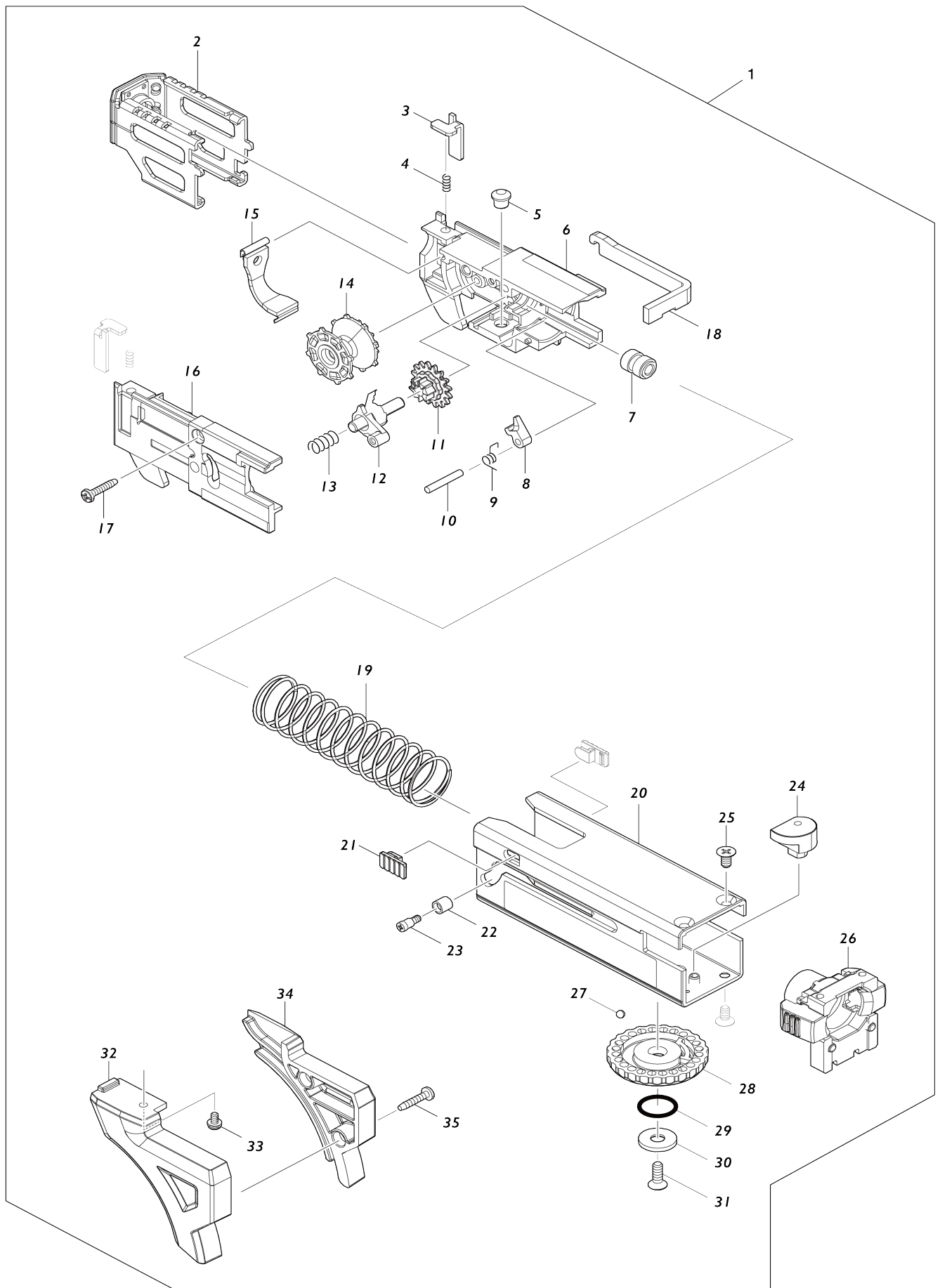


# Model No.DFR452 CORDLESS AUTO FEED SCREWDRIVER



# Model No.DFR452 CORDLESS AUTO FEED SCREWDRIVER



**Model No.DFR452 CORDLESS AUTO FEED SCREWDRIVER**

Obj. č.	Obj. č.	Popis	Možnost záměny	Množství	Nový/Stary	Poznámka 1	Poznámka 2
001	191W93-7	CASING 41 SET		1	*	adapt	
001		INC. 2-35			*		
001		INC. 2-35,68			*		
001-1	191W93-7	CASING 41 SET	O	1	*	adapt	
001-1		INC. 2-35,68			*		
001-2	1915G8-5	CASING 41 SET	O	1		z	
001-2		INC. 2-35,68					
002	141A76-5	STOPPER BASE COMPLETE		1	*		
C10	422695-3	CAP		1	*		
002-1	1410Y5-7	STOPPER BASE COMPLETE	O	1			
C10	422695-3	CAP		1			
003	345837-1	LEVER		2		p	
004	233211-4	Compression Spring 2		2		pru	
005	256451-7	Pin 6		1		Pin 6	
006	413525-9	FEEDER BOX		1		box	
007	257855-6	SLEEVE 5		1			
008	310062-3	Stopper		1		doraz	
009	231636-6	Torsion Spring		1		Torsion Spring 6842 6843 6844 DFR540 D FR550 DFR750	
010	256158-5	čep 3		1			
011	226344-2	ozubené soukolí 16 6833		1		ozuben	
012	141A78-1	RATCHET ARM COMPLETE		1			
013	233212-2	Compression Spring 6		1	*	Compression Spring 6 6842 6843 6844 DF R540 DFR550 DFR750	
013-1	232771-3	COMPRESSION SPRING 5	<	1			
014	416518-5	kladka podavče pásu		1		kladka podav	
015	162934-6	DUST COVER		1			
016	141A75-7	BOX COVER COMPLETE		1	*		
016-1	141A75-7	BOX COVER COMPLETE	S	1			
017	266130-9	šroub PT 3X		1			
018	347825-4	PLATE		1			
019	232696-1	COMPRESSION SPRING 21		1			
020	141A74-9	CASING 41 COMPLETE		1	*		
C10	8040Y5-5	INDICATION LABEL		1	*		
020-1	141A74-9	CASING 41 COMPLETE	S	1			
C10	8040Y5-5	INDICATION LABEL		1			
021	450111-5	doraz		2		doraz 6842 6844 DFR 550	
022	257764-9	SLEEVE 4		1		pouzdro	
023	265177-0	+SHOULDER FLAT HEAD SCREW M3X5		1			
024	313378-5	SHIFTER PIN		1			
025	912107-9	COUNTERSUNK HEAD SCREW M4 X8		3			
026	141A77-3	CLAMPER COMPLETE		1			
C10	263032-0	gumový čep		2		gumov	
027	216001-0	kulička 3.5		1			
028	417056-0	knob 42= old 416517-7		1		knob 42= old 416517-	

					7	
029	213107-5	o-kroužek 12		1		o-krou
030	267201-5	FLAT WASHER 6		1		
031	912117-6	šroub ZH M4x12		1		
032	183T81-0	SCREW GUIDE SET		1	*	
032		INC. 34			*	
032-1	413A56-4	SCREW GUIDE L	S	1	*	
032-1		INC. 34			*	
032-2	4132A6-2	SCREW GUIDE L	S	1		
033	265A38-0	P.H.SCREW M3X6 WITH WR		1		
034	183T81-0	SCREW GUIDE SET		1	*	
034		INC. 32			*	
034-1	413A57-2	SCREW GUIDE R	S	1	*	
034-1		INC. 32			*	
034-2	4132A7-0	SCREW GUIDE R	S	1		
035	266130-9	šroub PT 3X		2		
036	266045-0	šroub 4x22 old 265999-8		4		
037	141A64-2	GEAR HOUSING COMPLETE		1		obal
C10	213265-7	o-kroužek 17		1		
C20	213380-7	o-kroužek HR2020		1		o-krou
038	141A67-6	SPINDLE 270S COMPLETE		1		v
039	216019-1	kulička pr.3mm		1		kuli
040	141J99-7	GEAR COMPLETE 21-25		1		p
041	268325-0	ROD 2		1		ty
042	234121-8	COMPRESSION SPRING 8		1		pru
043	267202-3	podložka 8 6823		2		podlo
044	223192-0	CLUTCH CAM 270S		1		spojka
045	216008-6	kulička 4		3		kuli
046	141A63-4	GEAR COMPLETE 46		1		p
047	422692-9	SEAL RING		1		
048	136412-2	GEAR HOUSING COVER ASSY		1		kryt obalu
C10	422694-5	FELT		1		
048		INC. 47				
049	961052-5	segrovka vnější S-12		1		segrovka
050	211288-9	BALL BEARING 6901DDW		1		lo
051	519685-6	ROTOR ASSY		1	*	rotor
051		INC. 49,50,52			*	
051-1	519686-4	ROTOR ASSY	O	1		rotor =old 519685-6
051-1		INC. 49,50,52				
052	210039-7	BALL BEARING 695DDW		1		lo
053	629A57-4	STATOR		1		stator
054	652069-6	FLAT HEAD SCREW M3X6		3		
055	620E75-9	CONTROLLER		1		ovl
056	266490-9	TAPPING SCREW PT 2X6		3		
057	183T80-2	HOUSING SET		1	*	obal
C10	263005-3	vymezovací čep 6		2	*	
C20	252126-6	HEX. LOCK NUT M4-7		2	*	matka
057		INC. 63			*	
057-1	183W94-9	HOUSING SET	S	1		obal =old 183T80-2
C10	263005-3	vymezovací čep 6		2		
C20	252126-6	HEX. LOCK NUT M4-7		2		matka
057-1		INC. 63				

058	141A65-0	LEVER COMPLETE		1		p	
059	232703-0	TORSION SPRING 3		1		pru	
060	455053-8	F/R CHANGE LEVER		1		p	
061	651088-9	SWITCH C3JW-4B-1L		1		vyp	
062	643874-2	TERMINAL		1		kontakt	
063	183T80-2	HOUSING SET		1	*	obal	
C10	263005-3	vymezovací čep 6		2	*		
C20	252126-6	HEX. LOCK NUT M4-7		2	*	matka	
063		INC. 57			*		
063-1	183W94-9	HOUSING SET	S	1		obal =old 183T80-2	
C10	263005-3	vymezovací čep 6		2			
C20	252126-6	HEX. LOCK NUT M4-7		2		matka	
063-1		INC. 57					
064	266130-9	šroub PT 3X		8			
065	141G67-2	SWITCH PLATE COMPLETE		1	*	sp	
C10	8031T5-3	SWITCH LABEL		1	*		
065-1	141L34-7	SWITCH PLATE COMPLETE	S	1		sp	
C10	8031T5-3	SWITCH LABEL		1			
066	8110H0-9	DFR452 NAME PLATE		1			
067	8110H4-1	DFR452 SERIAL NO. LABEL		1			
068	253309-1	THIN WASHER 8		1			
069	808576-9	6000RPM INDICATION LABEL		1			
A01	266622-8	+ TRUSS HEAD SCREW M4X12		1			
A02	346317-0	háček BDF/BHP446_456		1		h	
A03	191V01-2	+ BIT2-137 SET		1			
A04	821551-8	systainer Makpac 395x295x210 mm		1			
C10	453974-8	LATCH		4		spona Makpacu	
A05	835Y86-3	INNER TRAY		1			
A06	8041X7-0	DFR452RTJ INDICATION LABEL		1			
A07	8041X8-8	DFR452RTJ PLASTIC CASE LABEL		2	*		
A08	***DC18RC	DC18RC FAST CHARGER		1			
A08		COMPO-PARTS					
A09	197280-8	BATTERY BL1850B SET		2			
A10	450128-8	kryt baterie		2			
F01	191V01-2	+ BIT2-137 SET		1			
F02	191V03-8	SQUARE BIT 2-137 SET		1			
F03	191V05-4	POZIDRIVE BIT 2-137 SET		1			
F04	191W93-7	CASING 41 SET		1	*	adapt	
F04-1	191W93-7	CASING 41 SET	O	1	*	adapt	
F04-2	1915G8-5	CASING 41 SET	O	1		z	

Prosím uveďte objednací číslo dílu v objednávce

Datum tisku 18. 10. 2024