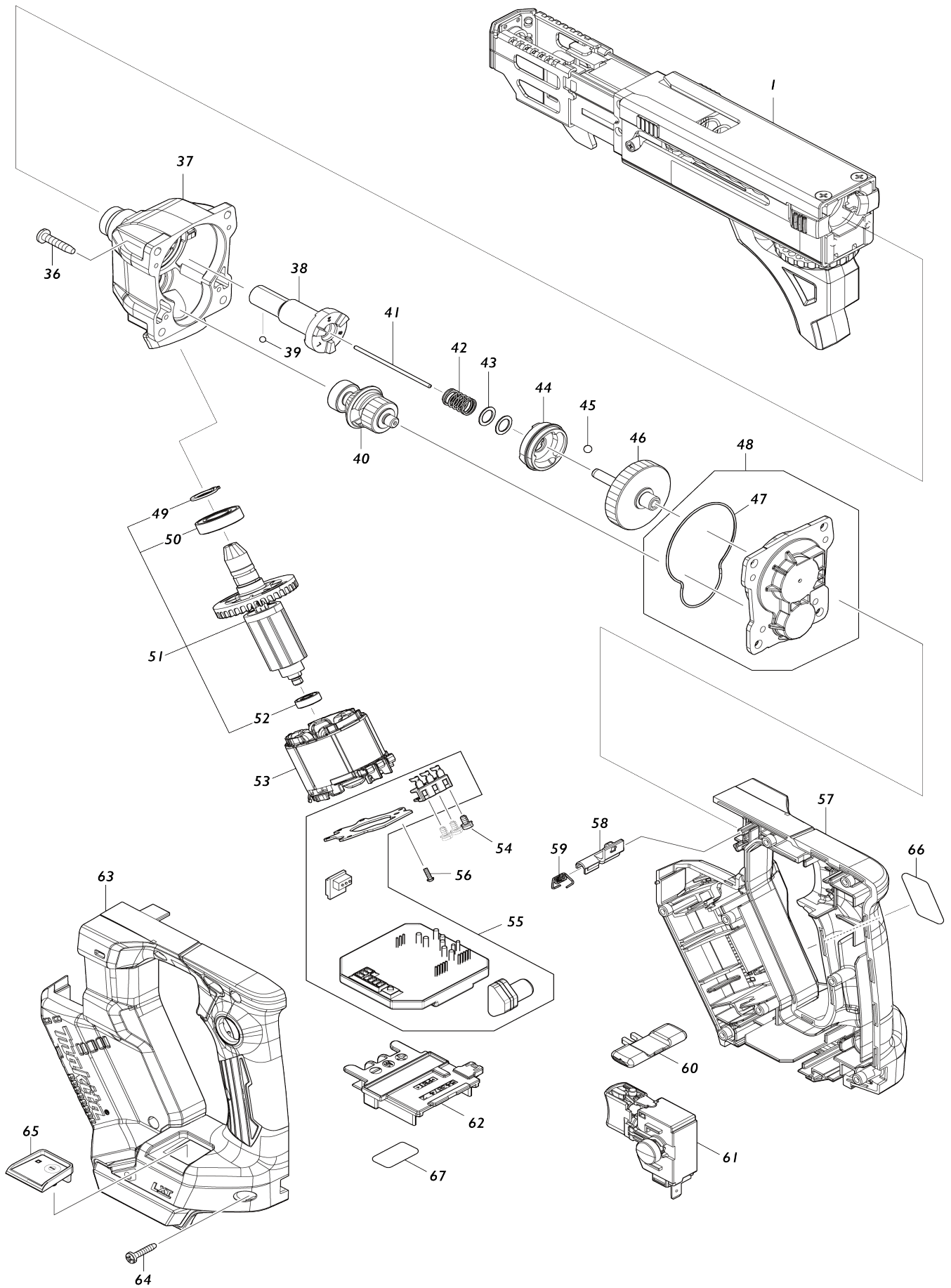
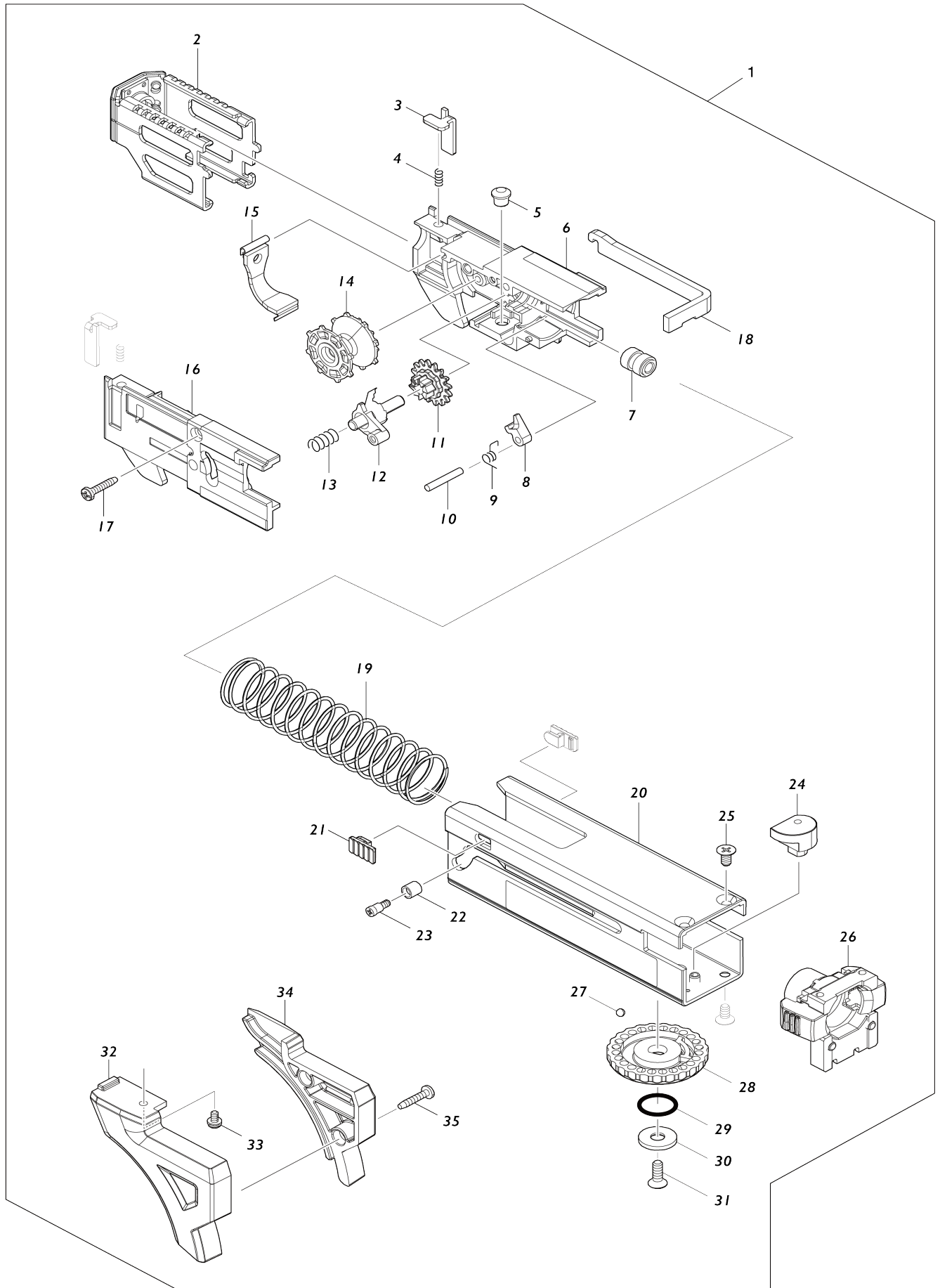


Model No.DFR551 CORDLESS AUTO FEED SCREWDRIVER



Model No.DFR551 CORDLESS AUTO FEED SCREWDRIVER



032		INC. 34			*		
032-1	413A56-4	SCREW GUIDE L	S	1	*		
032-1		INC. 34			*		
032-2	4132A6-2	SCREW GUIDE L	S	1			
033	265A38-0	P.H.SCREW M3X6 WITH WR		1			
034	183T81-0	SCREW GUIDE SET		1	*		
034		INC. 32			*		
034-1	413A57-2	SCREW GUIDE R	S	1	*		
034-1		INC. 32			*		
034-2	4132A7-0	SCREW GUIDE R	S	1			
035	266130-9	šroub PT 3X		2			
036	266045-0	šroub 4x22 old 265999-8		4			
037	141A64-2	GEAR HOUSING COMPLETE		1		obal	
C10	213265-7	o-kroužek 17		1			
C20	213380-7	o-kroužek HR2020		1		o-krou	
038	141A67-6	SPINDLE 270S COMPLETE		1		v	
039	216019-1	kulička pr.3mm		1		kuli	
040	141J99-7	GEAR COMPLETE 21-25		1		p	
041	268325-0	ROD 2		1		ty	
042	234121-8	COMPRESSION SPRING 8		1		pru	
043	267202-3	podložka 8 6823		2		podlo	
044	223192-0	CLUTCH CAM 270S		1		spojka	
045	216008-6	kulička 4		3		kuli	
046	141A63-4	GEAR COMPLETE 46		1		p	
047	422692-9	SEAL RING		1			
048	136412-2	GEAR HOUSING COVER ASSY		1		kryt obalu	
C10	422694-5	FELT		1			
048		INC. 47					
049	961052-5	segrovka vnější S-12		1		segrovka	
050	211288-9	BALL BEARING 6901DDW		1		lo	
051	519685-6	ROTOR ASSY		1	*	rotor	
051		INC. 49,50,52			*		
051-1	519686-4	ROTOR ASSY	O	1		rotor =old 519685-6	
051-1		INC. 49,50,52					
052	210039-7	BALL BEARING 695DDW		1		lo	
053	629A57-4	STATOR		1		stator	
054	652069-6	FLAT HEAD SCREW M3X6		3			
055	620E75-9	CONTROLLER		1		ovl	
056	266490-9	TAPPING SCREW PT 2X6		3			
057	183T80-2	HOUSING SET		1	*	obal	
C10	263005-3	vymezovací čep 6		2	*		
C20	252126-6	HEX. LOCK NUT M4-7		2	*	matka	
057		INC. 63			*		
057-1	183W94-9	HOUSING SET	S	1		obal =old 183T80-2	
C10	263005-3	vymezovací čep 6		2			
C20	252126-6	HEX. LOCK NUT M4-7		2		matka	
057-1		INC. 63					
058	141A65-0	LEVER COMPLETE		1		p	
059	232703-0	TORSION SPRING 3		1		pru	
060	455053-8	F/R CHANGE LEVER		1		p	
061	651088-9	SWITCH C3JW-4B-1L		1		vyp	
062	643874-2	TERMINAL		1		kontakt	

063	183T80-2	HOUSING SET		1	*	obal	
C10	263005-3	vymezovací čep 6		2	*		
C20	252126-6	HEX. LOCK NUT M4-7		2	*	matka	
063		INC. 57			*		
063-1	183W94-9	HOUSING SET	S	1		obal =old 183T80-2	
C10	263005-3	vymezovací čep 6		2			
C20	252126-6	HEX. LOCK NUT M4-7		2		matka	
063-1		INC. 57					
064	266130-9	šroub PT 3X		8			
065	141G67-2	SWITCH PLATE COMPLETE		1	*	sp	
C10	8031T5-3	SWITCH LABEL		1	*		
065-1	141L34-7	SWITCH PLATE COMPLETE	S	1		sp	
C10	8031T5-3	SWITCH LABEL		1			
066	8110J6-1	DFR551 NAME PLATE		1			
067	8110K1-8	DFR551 SERIAL NO. LABEL		1			
068	253309-1	THIN WASHER 8		1			
069	808576-9	6000RPM INDICATION LABEL		1			
A01	266622-8	+ TRUSS HEAD SCREW M4X12		1			
A02	346317-0	háček BDF/BHP446_456		1		h	
A03	191V02-0	+ BIT2-155 SET		1			
F01	191V02-0	+ BIT2-155 SET		1			
F02	191V04-6	SQUARE BIT 2-155 SET		1			
F03	191V06-2	POZIDRIVE BIT 2-155 SET		1			
F04	191W94-5	CASING 55 SET		1	*	adapt	
F04-1	1915G9-3	CASING 55 SET	O	1		z	

Prosím uveďte objednáč. číslo dílu v objednávce

Datum tisku 18. 10. 2024