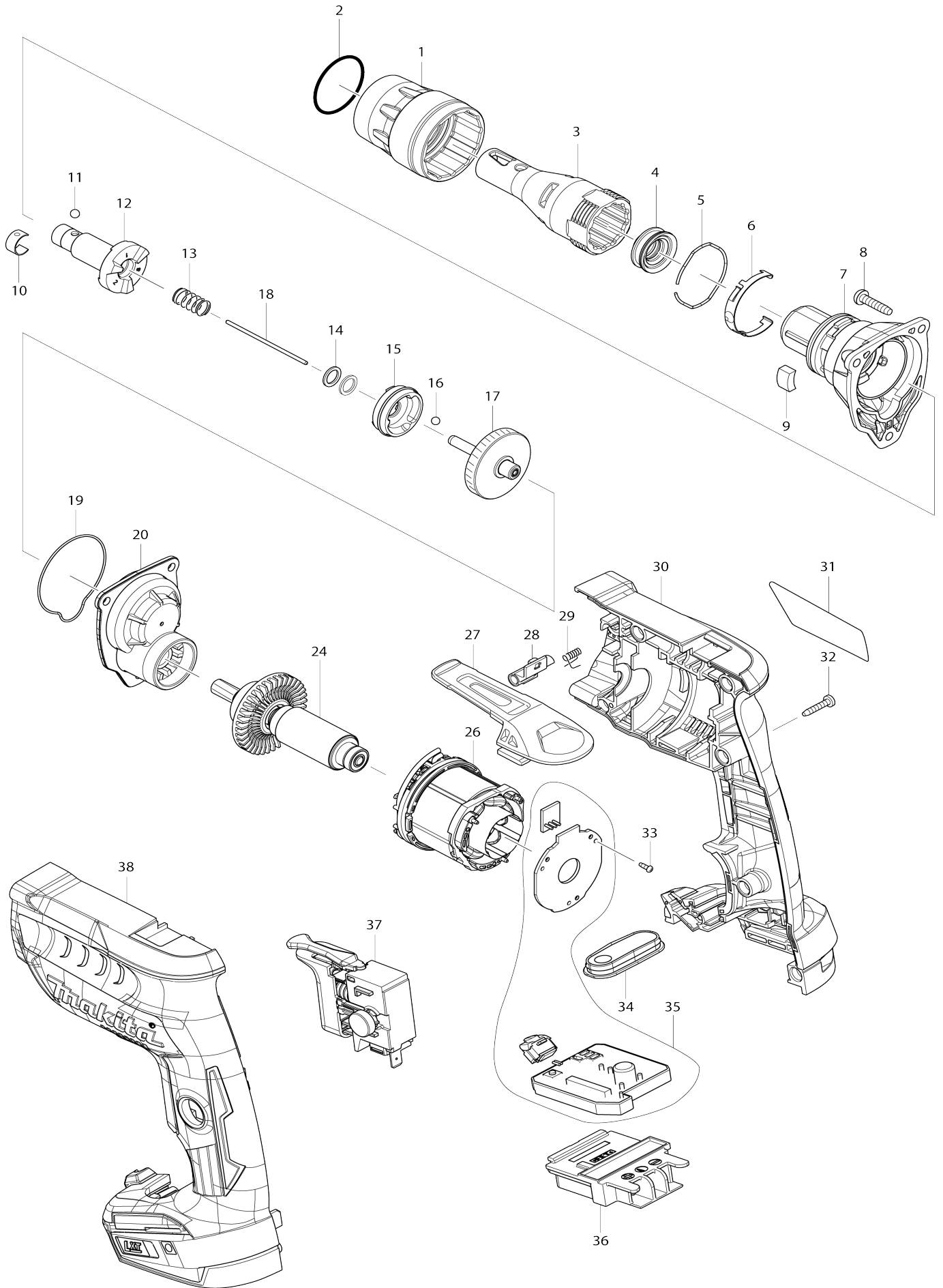


Model No.DFS452 CORDLESS SCREWDRIVER



Model No.DFS452 CORDLESS SCREWDRIVER

Obj. č.	Obj. č.	Popis	Možn ost zá měny	Množ ství	Nový/ Starý	Poznámka 1	Poznámka 2
001	455591-0	LOCK RING		1		krou	
002	424235-3	těsnění		1		t	
003	158875-2	doraz		1			
004	424665-8	DUST SEAL SLEEVE		1		prachovka	
005	234348-0	RING SPRING 30		1		pru	
006	232245-4	pružina		1		pru	
007	142902-5	GEAR HOUSING COMPLETE		1		obal	
C10	213796-6	OIL SEAL 11		1			
008	265995-6	šroub 4x18 = old 265941-9		3	*		
008-1	265A48-7	TAPPING SCREW 4X18	O	3			
009	423413-2	RUBBER PLATE		1		gumov	
010	232050-9	listová pružina		1		listov	
011	216001-0	kulička 3.5		1			
012	142903-3	SPINDLE 125S COMPLETE		1		h	
013	234121-8	COMPRESSION SPRING 8		1		pru	
014	267202-3	podložka 8 6823		2		podlo	
015	223181-5	CLUTCH CAM 125S		1		spojka	
016	216008-6	kulička 4		3		kuli	
017	142904-1	GEAR COMPLETE		1		p	
C10	424663-2	SEAL		1			
018	268325-0	ROD 2		1		ty	
019	424664-0	SEAL RING		1		t	
020	142909-1	GEAR HOUSING COVER COMPLETE		1		obal p	
024	519355-7	ROTOR ASS'Y		1	*	rotor DFS452=new519664-4	
024-1	510472-6	ROTOR ASS'Y	O	1	*		
024-2	519664-4	ROTOR ASS'Y	O	1		rotor DFS452=old519355-7	
026	629135-4	STATOR		1		stator DFS452	
027	162272-6	HOOK		1		h	
028	142908-3	LEVER COMPLETE		1	*		
028-1	140M84-5	LEVER COMPLETE	<	1		p	
029	233619-2	TORSION SPRING 3		1		obal p	
030	187993-9	HOUSING SET		1		obal stroje	
C10	263005-3	vymezovací čep 6		2			
030		INC. 38					
031	850H34-9	DFS452 NAME PLATE		1			
032	266130-9	šroub PT 3X		7			
033	266490-9	TAPPING SCREW PT 2X6		3			
034	142905-9	SWITCH PLATE COMPLETE		1		d	
035	620349-8	CONTROLLER		1	*		
035-1	620360-0	CONTROLLER COMPLETE	S	1	*		
035-1		INC. 36			*		
035-2	620J39-3	CONTROLLER COMPLETE	<	1	*	elektronika DFS452=old620349-8=old620360-0=new620J38-5	
C10	620J38-5	CONTROLLER		1	*	ovlada	
035-2		INC. 36			*		
035-3	620J38-5	CONTROLLER	>	1		ovlada	

036	643860-3	TERMINAL		1	*	patice	
036-1	643860-3	TERMINAL	O	1		patice	
037	650733-3	SWITCH C3JW-4B-2L		1		vyp	
038	187993-9	HOUSING SET		1		obal stroje	
C10	263005-3	vymezovací čep 6		2			
038		INC. 30					
039	850H36-5	DFS452 SERIAL NO. LABEL		1			
A01	266622-8	+ TRUSS HEAD SCREW M4X12		1			
A02	346317-0	háček BDF/BHP446_456		1		h	
A03	784261-7	+BIT 2-25		2			
A04	784813-4	MAGNETIC BIT HOLDER 6.35-60		1			
B01	620J39-3	CONTROLLER COMPLETE		1		elektronika DFS452= old620349-8=old6203 60-0=new620J38-5	
B01		INC. 35,36					
E01	688161-2	LINE FILTER		1			
F06-3	197606-4	BATTERY BL1830B SET (2PIECES)	O	1			
F09-3	197600-6	BATTERY BL1830B SET	O	1			
F10-4	197599-5	BATTERY BL1830B SET	O	1			
F11-1	196235-0	BATTERY BL1815N SET	O	1			
F12-1	196397-4	BATTERY BL1840 SET	O	1			
F13-1	196399-0	BATTERY BL1840 SET	O	1			
F14-1	196405-1	BATTERY BL1840 SET (2PIECES)	O	1			
F15-1	196449-1	BATTERY BL1815N SET	O	1			
F25	199156-5	SQUARE BIT 2-130 SET		1			
F28-2	191L24-0	AUTOFEED ATTACHMENT SET	<	1			
F34-1	191L23-2	AUTOFEED ATTACHMENT SET	<	1			

Prosím uveďte objednáč. číslo dílu v objednávce

Datum tisku 18. 10. 2024