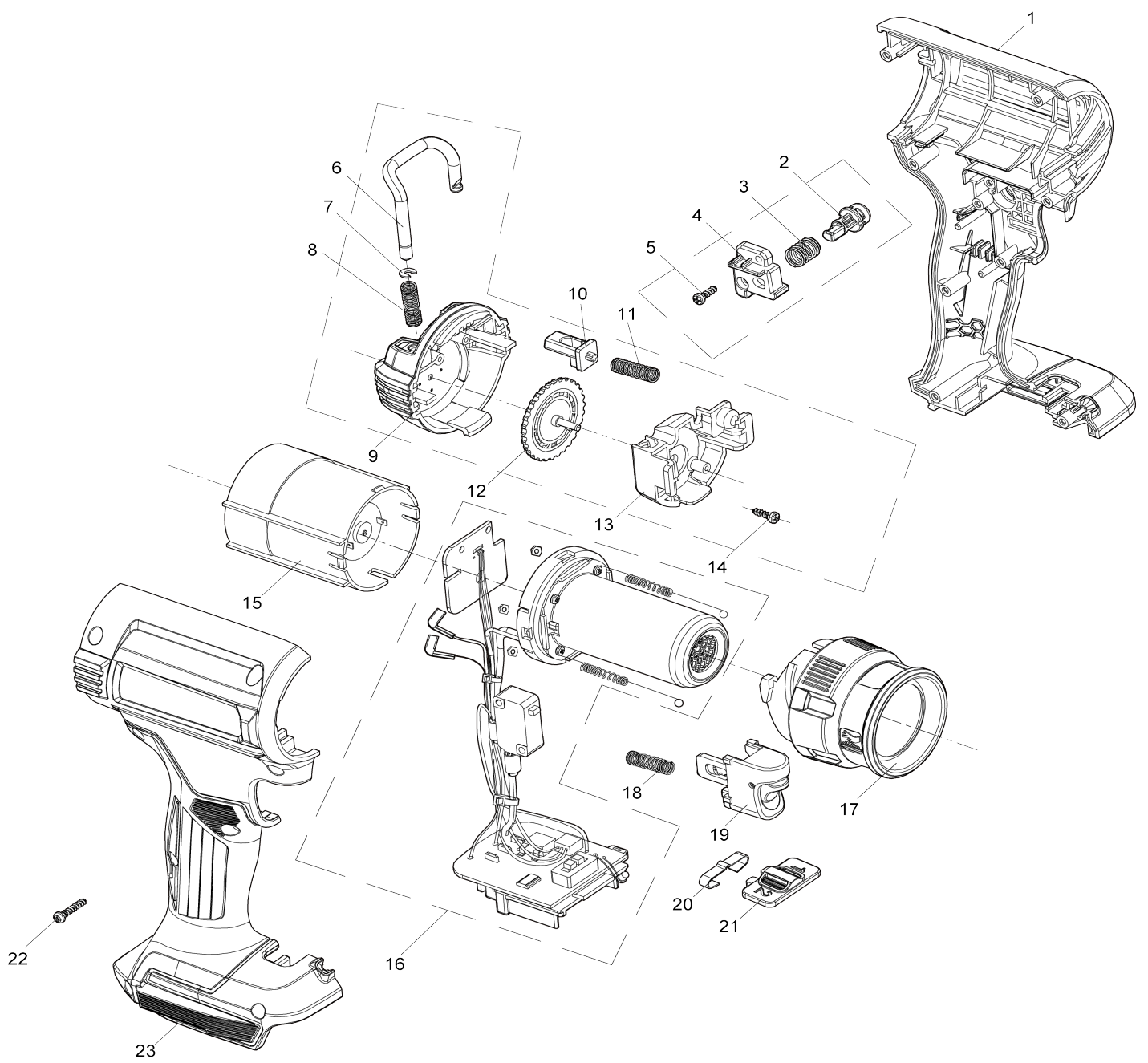


# Model No.DHG181 CORDLESS HEAT GUN



**Model No.DHG181 CORDLESS HEAT GUN**

Obj. č.	Obj. č.	Popis	Možn ost zá měny	Množ ství	Nový/ Starý	Poznámka 1	Poznámka 2
001	PR00000420	HOUSING SET		1		obal	
001		INC. 23					
002	PR00000380	LOCK ON BUTTON		1		tla	
003	PR00000381	SPRING9		1		pru	
004	PR00000382	SUPPORT FRAME		1		r	
005	PR00000293	TAPPING SCREW ST2.9X10		2			
006	PR00000383	HOOK		1		h	
007	PR00000384	SNAP RING		1		krou	
008	PR00000385	SPRING6		1		pur	
009	PR00000421	REAR COVER		1		zadn	
010	PR00000422	HOOK BUTTON		1		tla	
011	PR00000388	SPRING5		1		pru	
012	PR00000423	DIAL		1		veden	
013	PR00000425	INNER COVER		1		vnit	
014	PR00000293	TAPPING SCREW ST2.9X10		3			
015	PR00000390	MOTOR ASSEMBLY		1	*	motor	
015-1	PR00000515	MOTOR ASSEMBLY	<	1			
016	PR00000427	HEATER ASSEMBLY		1	*	oh	
C10	PR00000424	NUT 2.5		2	*		
C20	PR00000426	SCREW 2.5X10		2	*		
C30	PR00000428	TENSION SPRING 3		2	*		
016-1	PR00000498	HEATER ASSEMBLY	O	1		oh	
C10	PR00000424	NUT 2.5		2			
C20	PR00000426	SCREW 2.5X10		2			
C30	PR00000428	TENSION SPRING 3		2			
017	PR00000392	FRONT COVER ASSEMBLY		1		p	
018	PR00000393	SPRING 4		1		pru	
019	PR00000394	TRIGGER ASSEMBLY		1		spou	
020	PR00000429	LEAF SPRING		1		listov	
021	PR00000430	CHANGE LEVER		1		p	
022	PR00000395	TAPPING SCREW ST2.9X16		8			
023	PR00000420	HOUSING SET		1		obal	
023		INC. 1					
A01	PR00000031	REDUCTION NOZZLE 20mm		1			
A02	PR00000030	REFLECTOR NOZZLE		1			
A03	PR00000029	WIDE-SLOT NOZZLE		1			
A04	PR00000028	GLASS PROTECTION NOZZLE		1			
A05	PR00000404	PLASTIC CASE		1			

Prosím uveďte objednáčíslo dílu v objednávce

Datum tisku 18. 10. 2024