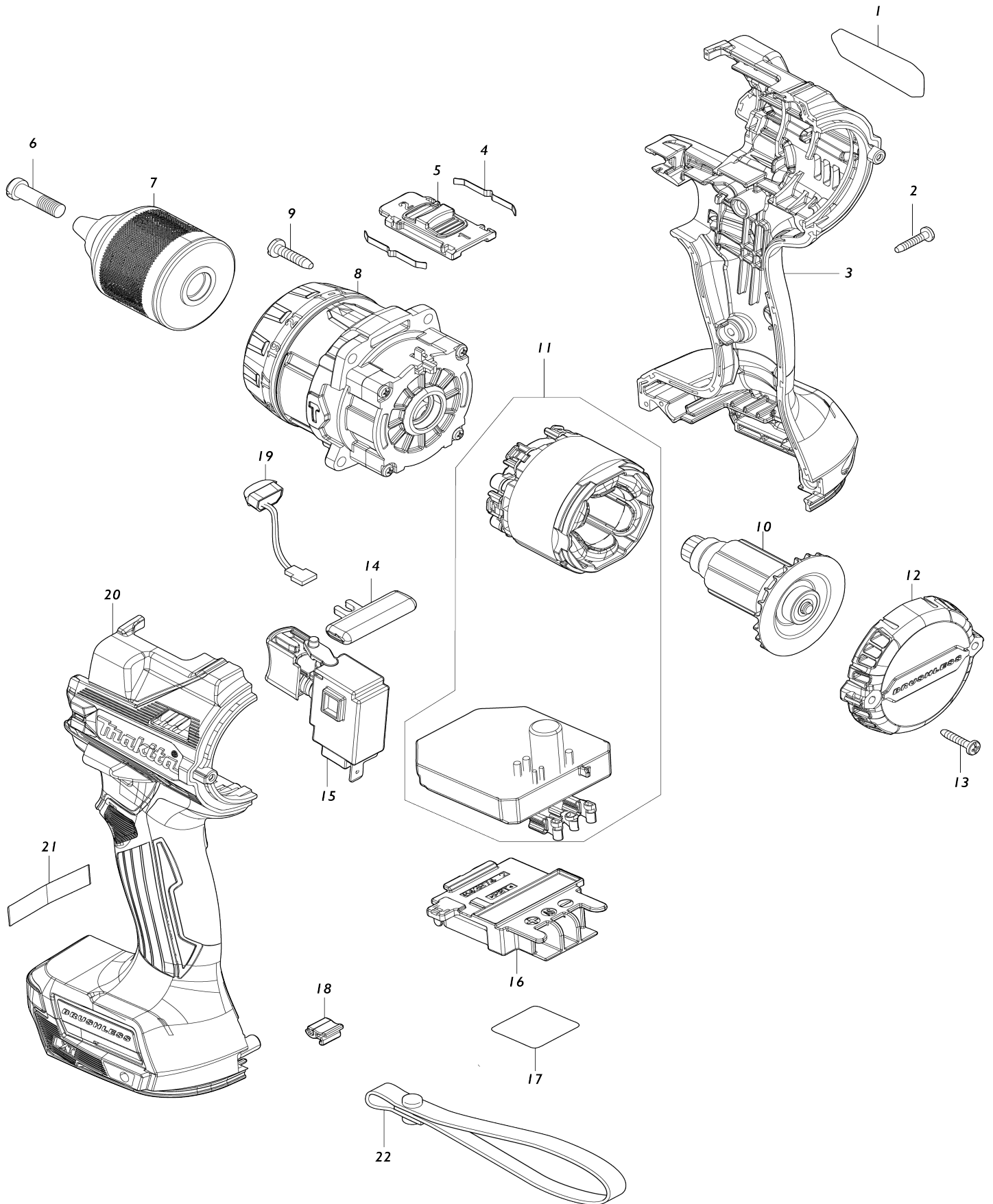


Model No.DHP486 CORDLESS HAMMER DRIVER DRILL



Model No.DHP486 CORDLESS HAMMER DRIVER DRILL

Obj. č.	Obj. č.	Popis	Možn ost zá měny	Množ ství	Nový/ Starý	Poznámka 1	Poznámka 2
001	811B29-1	DHP486 NAME PLATE		1			
002	266130-9	šroub PT 3X		7			
003	183R83-4	HOUSING SET		1		obal stroje	
C10	263005-3	vymezovací čep 6		2			
C20	252126-6	HEX. LOCK NUT M4-7		2		matka	
003		INC. 20					
004	232220-0	listové péro přepínače 6319D/84 14D		2		listov	
005	127494-5	SPEED CHANGE LEVER ASSEMBLY		1		p	
C10	233438-6	COMPRESSION SPRING 4		2		pru	
006	251468-5	šroub MT065		1			
007	763252-1	KEYLESS DRILL CHUCK 13		1			
008	127698-9	GEAR ASSEMBLY		1	*		
008-1	122A92-6	GEAR ASSEMBLY	<	1	*		
008-2	122B68-9	GEAR ASSEMBLY	<	1	*		
008-3	122D48-7	GEAR ASSEMBLY	O	1	*	p	
008-4	122H10-6	GEAR ASSEMBLY	<	1		p	
009	266326-2	šroub 4x18=new265995-6		4	*		
009-1	265B67-9	TAPPING SCREW 4X18	O	4			
010	619656-4	ROTOR		1	*	rotor	
010-1	619656-4	ROTOR	O	1		rotor	
011	629A33-8	STATOR COMPLETE		1	*		
011-1	629B79-0	STATOR COMPLETE	O	1	*		
011-2	629C05-5	STATOR COMPLETE	<	1	*	stator cpl.=old 629A3 3-8=new629C97-4	
011-3	629C97-4	STATOR COMPLETE	<	1		stator cpl.=old 629C0 5-5	
012	413405-9	REAR COVER		1		zadn	
013	266130-9	šroub PT 3X		2			
014	419041-9	přepínač chodu L/P BDF440		1		p	
015	651443-5	SWITCH C3JR-4B		1		vp	
016	643874-2	TERMINAL		1		kontakt	
017	811B36-4	DHP486 SERIAL NO. LABEL		1			
018	424517-3	CUSHION		1		doraz DTW285	
019	620549-0	LED CIRCUIT		1		led okruh	
020	183R83-4	HOUSING SET		1		obal stroje	
C10	263005-3	vymezovací čep 6		2			
C20	252126-6	HEX. LOCK NUT M4-7		2		matka	
020		INC. 3					
A01	122576-8	hloubkový doraz		1		hloubkov	
A02	127701-6	GRIP ASSEMBLY		1	*		
C10	140U91-6	POLE COMPLETE		1	*		
C20	140X19-2	ARM R COMPLETE		1	*		
C30	265785-7	šroub		1	*		
C40	266886-4	HEX. BOLT M8X65		1	*		
C50	312A63-3	ARM L		1	*		
C60	931202-6	HEX. NUT M5		1	*		
C70	962055-2	RETAINING RING (INT) R-15		1	*		

A02-1	122C01-7	GRIP ASSEMBLY	<	1	*	dr	
C10	140U91-6	POLE COMPLETE		1	*		
C20	140X19-2	ARM R COMPLETE		1	*		
C30	265785-7	šroub		1	*		
C40	266886-4	HEX. BOLT M8X65		1	*		
C50	312C73-2	ARM L		1	*		
C60	931202-6	HEX. NUT M5		1	*		
C70	962055-2	RETAINING RING (INT) R-15		1	*		
A02-2	122D10-2	GRIP ASSEMBLY	O	1	*		
C10	140U91-6	POLE COMPLETE		1	*		
C20	140X19-2	ARM R COMPLETE		1	*		
C30	265C34-0	THUMB SCREW M5X10		1	*		
C40	266886-4	HEX. BOLT M8X65		1	*		
C50	312C73-2	ARM L		1	*		
C60	931202-6	HEX. NUT M5		1	*		
C70	962055-2	RETAINING RING (INT) R-15		1	*		
A02-3	122F12-0	GRIP ASSEMBLY	O	1		dr	
C10	141R99-5	POLE COMPLETE		1			
C20	140X19-2	ARM R COMPLETE		1			
C30	265C34-0	THUMB SCREW M5X10		1			
C40	266886-4	HEX. BOLT M8X65		1			
C50	312C73-2	ARM L		1			
C60	931202-6	HEX. NUT M5		1			
C70	962055-2	RETAINING RING (INT) R-15		1			
A03	251314-2	028078		2			
A04	346317-0	háček BDF/BHP446_456		1		h	
A05	452947-8	držák bitů=old419276-2		1		dr	
A06	784637-8	(+ -) Bit 2-45		2		bit 1/4Inch PH2 + plo ch	
A07	821550-0	systainer Makpac 395x295x157 mm		1			
C10	453974-8	LATCH		4		spona Makpacu	
A08	837916-4	INNER TRAY		1			
A09	8030X6-3	DHP486RTJ INDICATION LABEL		1			
A10	8030X7-1	DHP486RTJ PLASTIC CASE LABEL		2	*		
A11	450128-8	kryt baterie		1			
A12	197280-8	BATTERY BL1850B SET		2			
A13	***DC18RC	DC18RC FAST CHARGER		1			

Prosím uveďte objednáací číslo dílu v objednávce

Datum tisku 18. 10. 2024