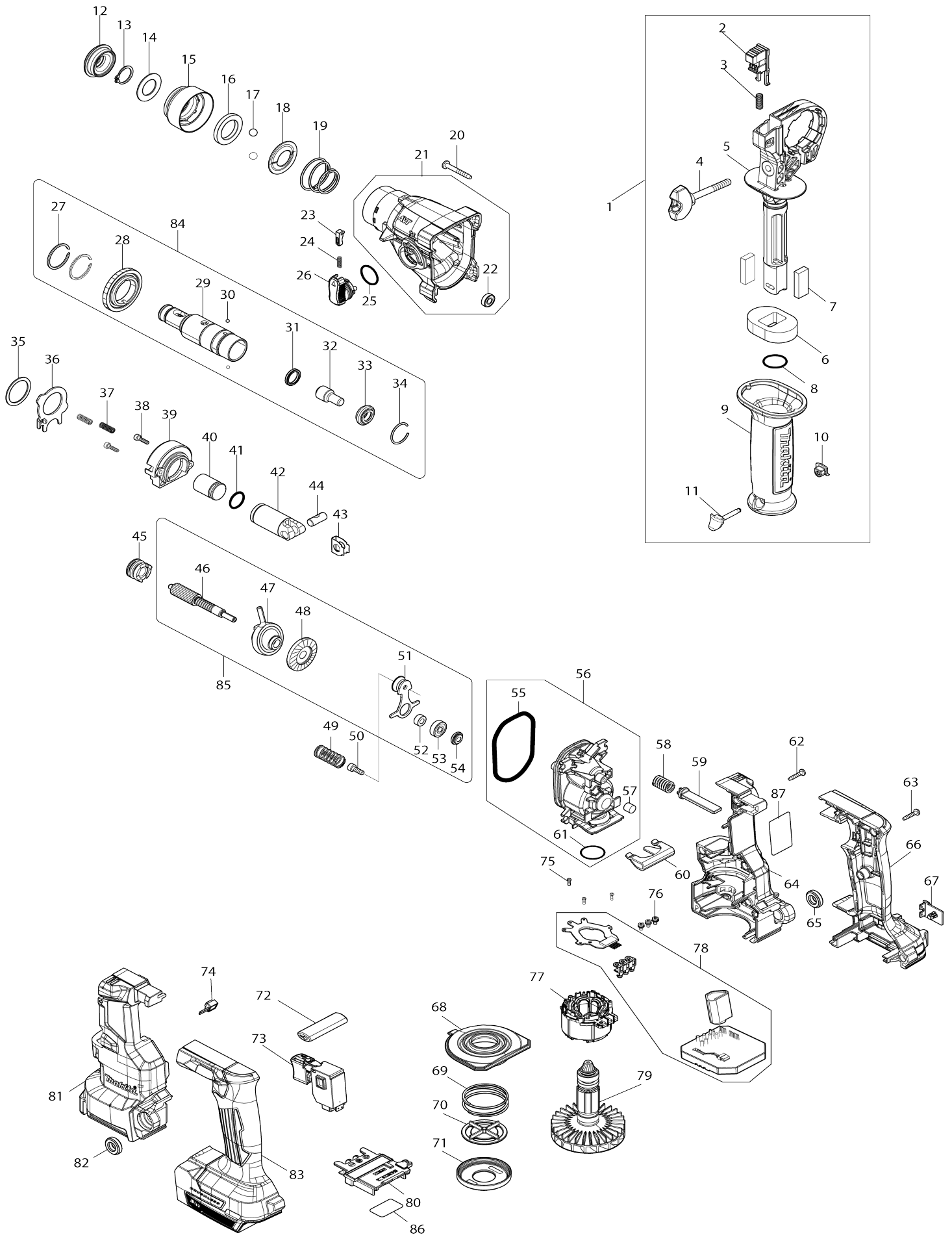


Model No.DHR183 18MM CORDLESS ROTARY HAMMER



Model No.DHR183 18MM CORDLESS ROTARY HAMMER

Obj. č.	Obj. č.	Popis	Možn ost zá měny	Množ ství	Nový/ Starý	Poznámka 1	Poznámka 2
001	122D63-1	GRIP ASSEMBLY		1		rukoje	
001		INC. 2-11					
002	413N19-8	LOCK BUTTON		1			
003	233360-7	COMPRESSION SPRING 4		1		pru	
004	265625-9	THUMB SCREW M6X50		1			
005	413N18-0	SIDE HANDLE BASE		1			
006	422A19-9	SPONGE SHEET A		1			
007	422A20-4	SPONGE SHEET B		2			
008	213262-3	o-kroužek 18		1		o-krou	
009	413N20-3	GRIP 36		1			
010	422255-1	CAP		1			
011	162C55-2	FIX PIN		1			
012	286037-3	CAP 34		1		v	
013	961057-5	segrovka vnější S-17		1		segrovka vn	
014	253377-4	FLAT WASHER 17		1		podlo	
015	457214-6	CHUCK COVER		1		kryt	
016	257416-2	RING 21		1		krou	
017	216022-2	kulička = old 183013		2		kuli	
018	346177-0	podložka		1		podlo	
019	232347-6	CONICAL COMP. SPRING 21-29		1		pru	
020	266050-7	šroub 4x30		4			
021	136955-4	GEAR HOUSING ASS'Y		1		kryt p	
021		INC. 22					
022	211157-4	BALL BEARING 695ZZ		1		lo	
023	161568-2	LOCK BUTTON COMPLETE		1		knofl	
024	232344-2	COMPRESSION SPRING 3		1		p	
025	213278-8	o-kroužek 17		1		o-krou	
026	161569-0	CHANGE LEVER COMPLETE		1		p	
027	961135-1	segrovka		2			
028	227A13-4	SPUR GEAR 42		1			
029	327B25-4	TOOL HOLDER		1			
030	216019-1	kulička pr.3mm		2		kuli	
031	213183-9	kroužek 13 HR1830		1		krou	
032	326843-5	IMPACT BOLT		1			
033	326842-7	RING 10		1		krou	
034	232343-4	RING SPRING 23		1		p	
035	267175-0	podložka 6914D		1		podlo	
036	347B03-8	CHANGE PLATE		1		op	
037	232802-8	COMPRESSION SPRING 4		2		pru	
038	265910-0	HEX. SOCKET HEAD BOLT M3X12		2			
039	141N19-5	INNER SUPPORT COMPLETE		1		vnit	
040	327007-4	STRIKER		1			
041	213128-7	o-kroužek HR2020		1		o-krou	
042	319510-9	PISTON CYLINDER		1		v	
043	347B05-4	GUIDE PLATE		1		vod	
044	326846-9	PISTON JOINT		1		p	
045	327B24-6	CLUTCH CAM		1		spojka DHR183	
046	227A12-6	SPUR GEAR 9		1			

047	219033-6	SWASH BEARING 8		1		
048	227A14-2	SPIRAL BEVEL GEAR 29		1		
049	232801-0	COMPRESSION SPRING 10		1		pru
050	265353-6	HEX. SOCKET HEAD BOLT M4X12		1		
051	141N20-0	BEARING RETAINER COMPLETE		1		
052	257890-4	RING 5		1		
053	210065-6	BALL BEARING 625ZZ		1		lo
054	326847-7	RING 5		1		krou
055	213A29-5	O RING 55		1		
056	136961-9	INNER HOUSING ASS'Y		1		vnit
056		INC. 55,57,61				
057	443153-6	FELT		1		pls
058	232782-8	COMPRESSION SPRING 8		1		pru
059	413N16-4	PUSHER		1		posunova
060	347A85-4	BEARING RETAINER		1		pouzdro lo
061	213325-5	O RING 19		1		o krou
062	266130-9	šroub PT 3X		5		
063	266130-9	šroub PT 3X		6		
064	183X92-9	HOUSING SET		1		obal stroje DHR183
064		INC. 81				
065	422A09-2	CUSHION RING 8		1		krou
066	183X68-6	HANDLE SET		1		rukoje
C10	263005-3	vymezovací čep 6		2		
066		INC. 83				
067	422A08-4	CAP		1		v
068	413N60-1	AIR DUCT		1		adapt
069	232796-7	COMPRESSION SPRING 37		1		pru
070	413N14-8	VALVE		1		klapka DHR183
071	413N15-6	CAP		1		v
072	454980-6	F/R CHANGE LEVER		1		
073	650689-0	vypínač		1		vyp
074	620K85-2	LED CIRCUIT		1		okruh LED DHR183
075	266490-9	TAPPING SCREW PT 2X6		3		
076	652069-6	FLAT HEAD SCREW M3X6		3		
077	629C18-6	STATOR		1		stator DHR183
078	620L24-8	CONTROLLER		1		elektronika DHR183
079	619816-8	ROTOR		1		rotor DHR183
080	643874-2	TERMINAL		1		kontakt
081	183X92-9	HOUSING SET		1		obal stroje DHR183
081		INC. 64				
082	422A09-2	CUSHION RING 8		1		krou
083	183X68-6	HANDLE SET		1		rukoje
C10	263005-3	vymezovací čep 6		2		
083		INC. 66				
084	136959-6	TOOL HOLDER ASS'Y		1		v
084		INC. 27-34				
085	136960-1	SPUR GEAR 9 ASS'Y		1		ozuben
085		INC. 46-48,51-54				
086	8588S0-3	DHR183 SERIAL NO. LABEL		1		
087	8588R3-0	DHR183 NAME PLATE		1		
A01	413N42-3	DEPTH GAUGE		1		
A02	821552-6	systainer Makpac 395x295x315		1		

		mm=old824783-6				
C10	453974-8	LATCH		4		spona Makpacu
A03	8356M9-8	INNER TRAY		1		
A04	450128-8	kryt baterie		1		
A05	***DC18RC	DC18RC FAST CHARGER		1		
A05		COMPO-PARTS				
A06	197280-8	BATTERY BL1850B SET		2		
A07	***DX16	DX16DUST COLLECTION SYSTEM SET		1		
C10	422992-7	SEALING CAP		5		t
A07		COMPO-PARTS				
B01	198564-7	HAMMER SERVICE KIT		1		
C10	195127-0	OIL VESSEL SET		1		
B01		INC. 12,13,17,31,34,41				
F03	1911K0-5	TOOL HANGER SET		1		
F04	1911P2-6	DX16DUST COLLECTION SYSTEM SET		1		
F06	1911P5-0	DUST CASE SET		1		
F07	1911P8-4	DUSTCUP SET		1		
G12	1914X3-8	DUST EXTRACTION PAD SET		1		

Prosím uveďte objednáč. číslo dílu v objednávce

Datum tisku 18. 10. 2024