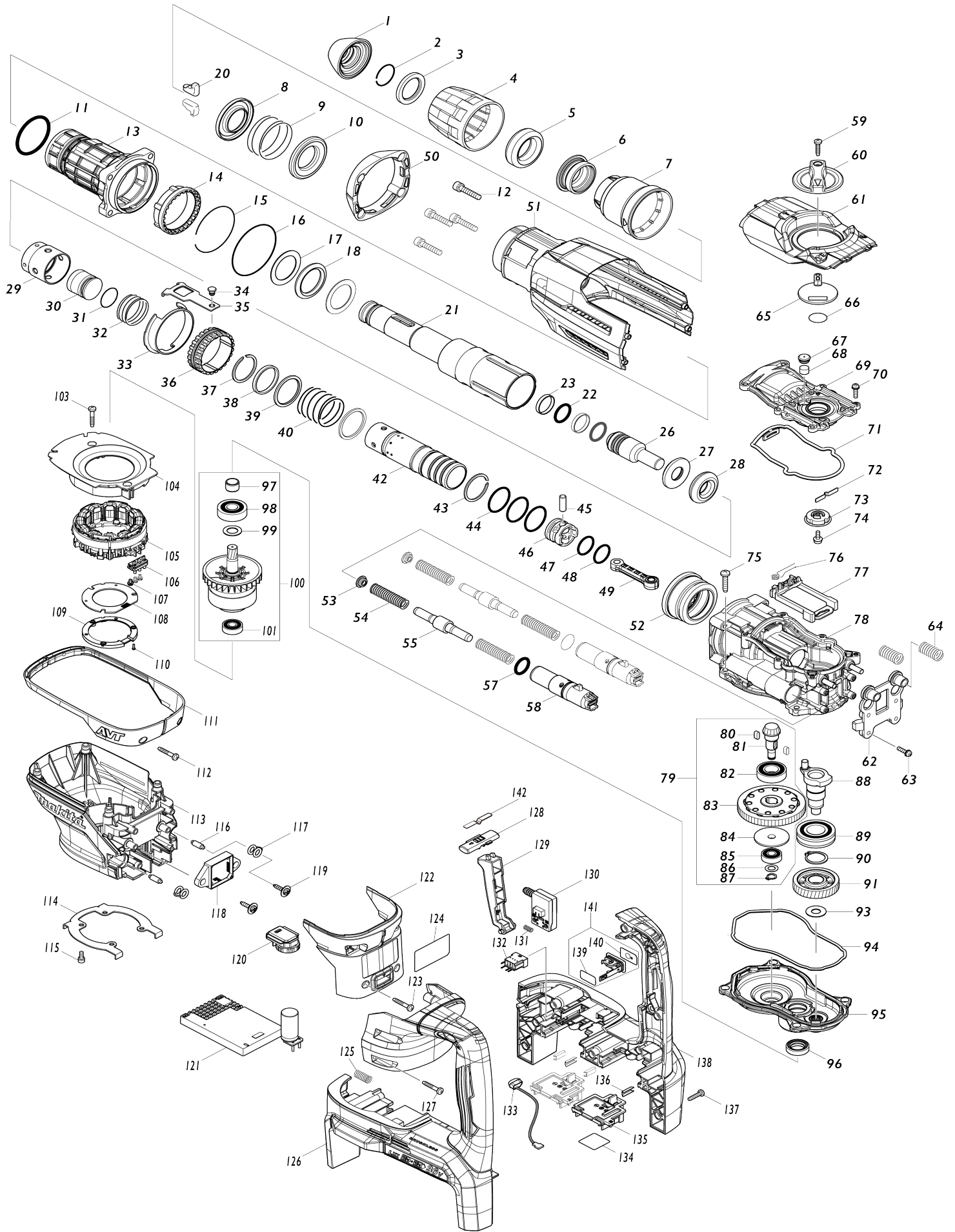


Model No.DHR400 40MM CORDLESS ROTARY HAMMER



Model No.DHR400 40MM CORDLESS ROTARY HAMMER

Obj. č.	Obj. č.	Popis	Možnost záměny	Množství	Nový/Stary	Poznámka 1	Poznámka 2
001	286292-7	TOOL HOLDER CAP		1		prachovka	
002	233948-3	pojistný kroužek HR5210-11C		1		pojistn	
003	257308-5	RING 28		1		krou	
004	454330-5	CHUCK COVER		1		kryt	
005	262167-4	RUBBER RING 30		1		gumov	
006	326272-2	CHUCK RING		1		krou	
007	454331-3	RELEASE COVER		1		kryt	
008	346670-4	SPRING GUIDE		1		podlo	
009	234288-2	COMPRESSION SPRING 46		1			
010	346670-4	SPRING GUIDE		1		podlo	
011	213615-6	o-kroužek 46		1		o-krou	
012	922351-0	HEX. SOCKET HEAD BOLT M6X30		4			
013	141956-9	BARREL COMPLETE		1		v	
C10	213246-1	O-RING 38 SA1004		1			
C20	213490-0	OIL SEAL 32		1			
C30	213492-6	o-kroužek 32 HR5211C/5210C/5201C		1		o-krou	
C40	214457-1	PLANE BEARING 32		1			
C50	233963-7	RING SPRING 45		1			
014	454337-1	LOCK SLEEVE		1		pouzdro	
015	234290-5	RING SPRING 59		1			
016	213707-1	o-kroužek 65		1		o-krou	
017	267469-3	FLAT WASHER 32		2		podlo	
018	262168-2	RUBBER RING 32		1		krou	
020	310257-8	TOOL RETAINER		2		up	
021	326268-3	TOOL HOLDER		1		dr	
022	213317-4	o-kroužek 20		2		o-krou	
023	213392-0	fluoridní kroužek 25 HR4000C		2		fluoridn	
026	326269-1	IMPACT BOLT		1			
027	326274-8	RING 17		1		krou	
028	262166-6	RUBBER RING 18		1		krou	
029	454347-8	SLIDE SLEEVE		1		obal	
030	326270-6	STRIKER		1		tlouk	
031	213695-2	O-RING 22		1		o krou	
032	234289-0	COMPRESSION SPRING 33		1		pru	
033	346673-8	GUIDE RING		1		t	
034	256548-2	FLAT FILLISTER HEAD PIN 6		1			
035	346671-2	LINK PLATE		1		deska veden	
036	313255-1	DRIVING SLEEVE		1		kolo	
037	257991-8	RETAINING RING (EXT) WR-32.5		1		segrovka	
038	257340-9	RING 33		1		krou	
039	267470-8	FLAT WASHER 33		2		podlo	
040	234287-4	COMPRESSION SPRING 34		1			
042	332063-1	CYLINDER 28.5		1		v	
043	257991-8	RETAINING RING (EXT) WR-32.5		1		segrovka	
044	213406-5	o-kroužek 30		3		o-krou	
045	256197-5	čep 7 = old 331507-8		1			
046	419004-5	píst HR4011C		1		p	

047	213379-2	o-kroužek 21 HR4011C		1		o-krou	
048	213695-2	O-RING 22		1		o krou	
049	454317-7	CONNECTING ROD		1		ty	
050	424560-2	HOUSING CAP		1			
051	141957-7	HOUSING COVER A COMPLETE		1			
052	227613-4	SPIRAL BEVEL GEAR 26		1		ozuben	
053	454342-8	SPRING PLATE		2			
054	234286-6	COMPRESSION SPRING 11		4		pru	
055	326273-0	COUNTER WEIGHT		2			
057	213325-5	O RING 19		2		o krou	
058	142289-5	HOLDER COMPLETE		2			
059	265995-6	šroub 4x18 = old 265941-9		1			
060	454326-6	CHANGE LEVER		1		p	
061	319652-9	CRANK CAP COVER		1		kryt	
062	458098-5	SPRING HOLDER		1		dr	
063	911128-8	P.H.SCREW M4X16 WITH WR		4			
064	234282-4	COMPRESSION SPRING 12		2			
065	454345-2	CRANK LEVER		1		kole	
066	213262-3	o-kroužek 18		1		o-krou	
067	424556-3	FILTER CAP		1			
068	443182-9	FILTER		1			
069	454319-3	CRANK CAP		1			
070	911128-8	P.H.SCREW M4X16 WITH WR		6			
071	424559-7	SEAL RING B		1		t	
072	232280-2	LEAF SPRING		1		pru	
073	458100-4	LINK LEVER		1		p	
074	911511-9	šroub		1			
075	266041-8	šroub křížový 5103R = old 93352 6		4			
076	233603-7	TORSION SPRING 7		1		pru	
077	454338-9	LINK GUIDE		1		veden	
078	141953-5	CRANK HOUSING A COMPLETE		1		klikovka DHR400 HR4 013C	
079	126290-8	TORQUE LIMITER ASSEMBLY		1		kompletn	
079		INC. 80-87					
080	254239-9	key 4		2		key 4	
081	227612-6	SPIRAL BEVEL GEAR 7		1			
082	211232-6	Ball Bearing 6002LLU		1		kuli	
083	141959-3	TORQUE LIMITER COMPLETE		1		spojka	
084	324727-1	SHOULDER WASHER 8		1			
085	210005-4	kulič. ložisko 608DDW = old 2110 31-6		1		kuli	
086	253215-0	796119		1			
087	961004-6	segrovka S-8		1		segrovka S-8	
088	326271-4	CRANK SHAFT		1		klikovka DHR400 HR4 003C HR4013C	
089	210183-0	BALL BEARING 6004LLU		1		lo	
090	961060-6	segrovka vnější S-20		1		segrovka vn	
091	227772-4	HELICAL GEAR 37		1		ozuben	
093	253180-3	podložka 10		1		podlo	
094	424558-9	SEAL RING A		1		t	
095	141955-1	GEAR HOUSING COMPLETE		1		spodn	
096	213231-4	gufero 15-25-7		1		gufero 15-25-7	

097	331596-3	pouzdro		1		pouzdro	
098	211137-0	ložisko HM0860C		1		lo	
099	253744-3	podložka 12		1		podlo	
100	519492-7	ROTOR ASSY		1	*		
100		INC. 97-99,101			*		
100-1	519707-2	ROTOR ASSY	O	1	*	rotor=old519492-7	
100-1		INC. 97-99,101			*		
100-2	519707-2	ROTOR ASSY	O	1		rotor=old519492-7	
100-2		INC. 97-99,101					
101	210005-4	kulič. ložisko 608DDW = old 211031-6		1		kuli	
103	265999-8	TAPPING SCREW 4X25		2			
104	458099-3	BAFFLE PLATE		1		deska	
105	629335-6	STATOR		1		stator	
106	632L39-3	LEAD UNIT		1		elektronika	
107	652031-1	PAN HEAD SCREW M3X6		3			
108	620795-5	CONTROLLER B		1		ovl	
109	687877-6	STOPPER		1	*		
109-1	687B69-9	STOPPER	<	1		zar	
110	266490-9	TAPPING SCREW PT 2X6		3			
111	454348-6	GUARD 40		1			
112	265999-8	TAPPING SCREW 4X25		2			
113	458051-1	MOTOR HOUSING		1		obal motoru	
114	347299-9	GUIDE PLATE		1		veden	
115	922111-0	šroub inbus M4x10=old911114-9		4			
116	256380-4	SHOULDER PIN 4-6		2			
117	422241-2	DOUBLE O-RING		2		krou	
117	422462-6	SPONGE WASHER		4			
118	620797-1	ACCELEROMETER CIRCUIT		1		elektronika=new620997-3	
118	620997-3	ACCELEROMETER CIRCUIT		1			
119	251599-0	TAPPING SCREW 4X18		2			
120	620796-3	DIAL CIRCUIT		1		elektronika=new620H67-6	
121	620794-7	CONTROLLER		1			
121	620996-5	CONTROLLER		1		ovl	
122	458054-5	CONTROLLER COVER		1		ovl	
123	265999-8	TAPPING SCREW 4X25		2			
124	854C13-9	DHR400 NAME PLATE		1			
125	232411-3	COMPRESSION SPRING 8		1		pru	
126	183J10-3	HOUSING SET		1	*	obal	
C10	263005-3	vymezovací čep 6		8	*		
126		INC. 138			*		
126-1	183J10-3	HOUSING SET	<	1		obal	
C10	263005-3	vymezovací čep 6		8			
126-1		INC. 138					
126-1	183L07-4	HOUSING SET		1			
127	265999-8	TAPPING SCREW 4X25		4			
128	458096-9	TRIGGER LOCK		1		spou	
129	458097-7	SWITCH LEVER		1		vyp	
130	651083-9	SWITCH C3XA-1SPM		1		vyp	
131	232418-9	COMPRESSION SPRING 5		1		pru	

132	632L47-4	CONNECTOR UNIT		1		konektor	
133	620549-0	LED CIRCUIT		1		led okruh	
134	854C21-0	DHR400 SERIAL NO. LABEL		1			
135	644809-6	TERMINAL		2		kontakt	
136	346783-1	PLATE		4			
137	265995-6	šroub 4x18 = old 265941-9		9			
138	183J10-3	HOUSING SET		1	*	obal	
C10	263005-3	vymezovací čep 6		8	*		
138		INC. 126			*		
138-1	183J10-3	HOUSING SET	<	1		obal	
C10	263005-3	vymezovací čep 6		8			
138-1		INC. 126					
138-1	183L07-4	HOUSING SET		1			
139	213275-4	O RING 18		1	*	o krou	
139-1	213218-6	o kroužek	<	1		o krou	
140	816A25-8	CAP LABEL		1	*		
140-1	818H07-8	CAP LABEL	<	1			
141	183H95-7	CAP SET		1	*		
141		INC. 139,140			*		
141-1	183J86-0	CAP SET	O	1	*		
141-1		INC. 139,140			*		
141-2	140F99-0	CAP COMPLETE	<	1		v	
141-2		INC. 139,140					
142	232280-2	LEAF SPRING		1		pru	
A01	123138-5	SIDE GRIP ASSEMBLY		1			
A02	196792-8	SIDE HANDLE 73 SET		1			
A03	198993-4	GREASE VESSEL SET		1			
A04	821746-3	PLASTIC CASE		1			
C10	162271-8	přezka kufru		2			
A05	331955-1	DEPTH GAUGE		1			
A06	198900-7	WIRELESS UNIT SET		1	*		
A06-1	198900-7	WIRELESS UNIT SET	<	1	*		
A06-2	198900-7	WIRELESS UNIT SET	<	1	*		
A06-3	198900-7	WIRELESS UNIT SET	O	1	*		
A06-4	198900-7	WIRELESS UNIT SET	<	1			
A07	443122-7	CLOTH		1			
A08	***DC18RD	DC18RD TWO PORT FAST CHARGER		1			
A08		COMPO-PARTS					
A09	197280-8	BATTERY BL1850B SET		4	*		
A09-1	197280-8	BATTERY BL1850B SET	O	4			
A10	450128-8	kryt baterie		2			
B01	197298-9	HAMMER SERVICE KIT		1			
C10	181490-7	mazivo 30g		2	*		
C11	1914C5-7	GREASE SET	O	2			
C20	197245-0	CARBON BRUSH CB-351		1	*		
C21	197244-2	CARBON BRUSH CB-351	O	1		uhl	
B01		INC. 1,22,23,31,48					
E01	818S16-3	CLEAR LABEL		1	*		
E02	267721-9	WAVE WASHER 15		1		podlo	
F01-1	199142-6	DUST EXTRACTOR ATT SET(EU)	<	1			
F03-1	199143-4	DUST EXTRACTOR ATT SET(EU)	<	1			

F05-1	199144-2	DUST EXTRACTOR ATT SET(EU)	<	1		
F07	199142-6	DUST EXTRACTOR ATT SET(EU)		1		
F08	199143-4	DUST EXTRACTOR ATT SET(EU)		1		
C10	424606-4	DUST COVER		1		
C20	454749-8	HOSE HOLDER A		1		
C30	454750-3	HOSE HOLDER B		1		
C40	454809-6	HOSE HOLDER C		1	dr	
C50	458101-2	HOLDER JOINT		1		
F09	199144-2	DUST EXTRACTOR ATT SET(EU)		1		
G12	1914X3-8	DUST EXTRACTION PAD SET		1		

Prosím uveďte objednáací číslo dílu v objednávce

Datum tisku 21. 10. 2024