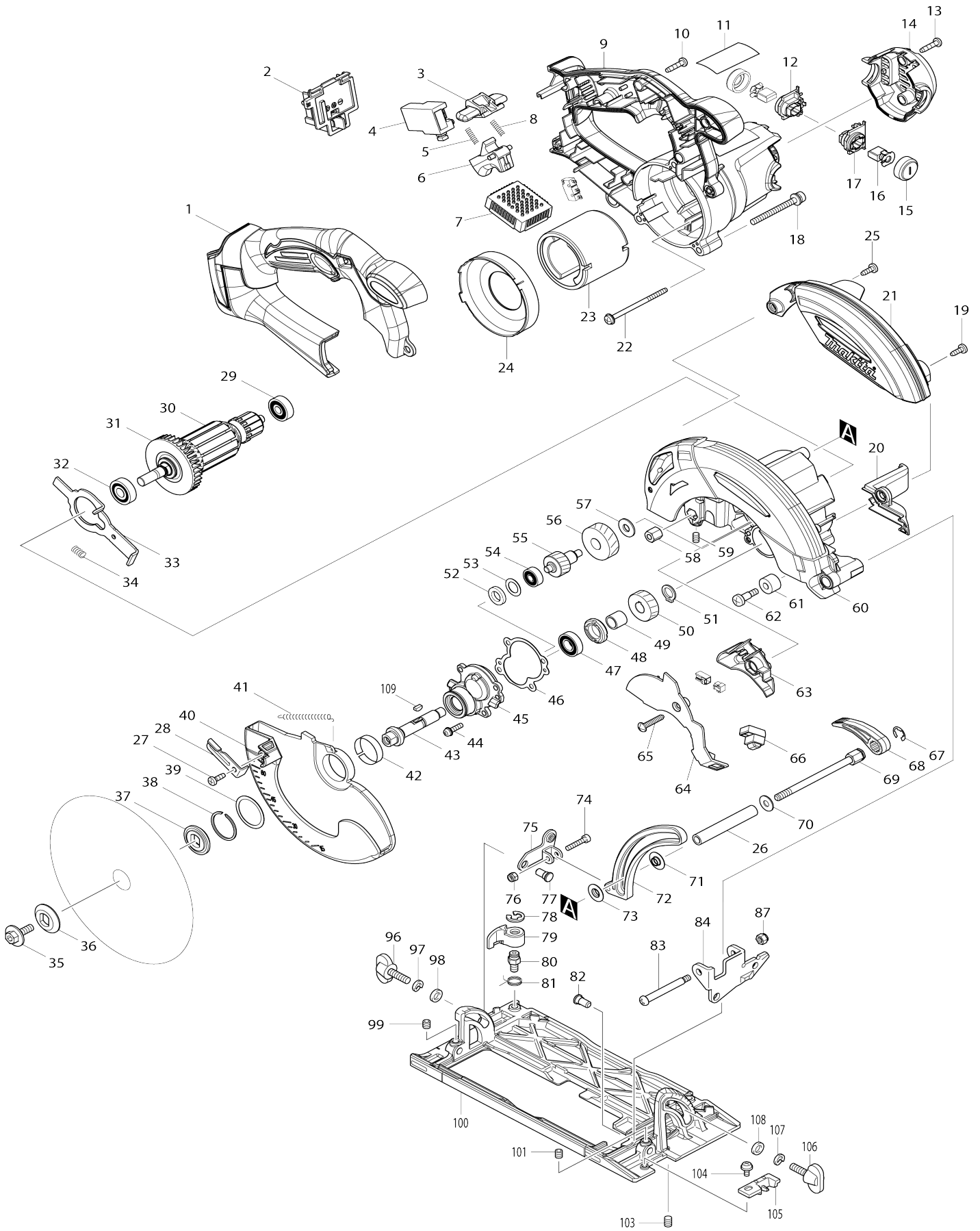


# Model No.DHS630 165MM CORDLESS CIRCULAR SAW



**Model No.DHS630 165MM CORDLESS CIRCULAR SAW**

Obj. č.	Obj. č.	Popis	Možn ost zá měny	Množ ství	Nový/ Starý	Poznámka 1	Poznámka 2
001	141237-1	HANDLE COVER COMPLETE		1			
C10	263005-3	vymezovací čep 6		1			
002	644808-8	TERMINAL		1		terminal	
003	419664-3	vypínač		1		vyp	
004	650631-1	přepínač		1		vyp	
005	231469-9	compression spring 4		1		compression spring 4	
006	419665-1	SWITCH LEVER		1			
007	620257-3	CONTROLLER		1	*	elektronika DHS630= new620G73-5	
C10	620059-7	SWITCH UNIT		1	*		
007-1	620G73-5	CONTROLLER	<	1		elektronika DHS630 = old 620257-3	
C10	620059-7	SWITCH UNIT		1			
008	231469-9	compression spring 4		1		compression spring 4	
009	140984-1	MOTOR HOUSING COMPLETE		1			
C10	263005-3	vymezovací čep 6		1			
010	265995-6	šroub 4x18 = old 265941-9		7			
011	815J60-7	DHS630 NAME PLATE		1			
012	643889-9	BRUSH HOLDER		1			
013	265995-6	šroub 4x18 = old 265941-9		2			
014	452787-4	REAR COVER		1			
015	643941-3	kryt uhlíků BHR200		2		kryt uhl	
016	194435-6	uhlíky CB-441 = old 191976-3=ol d191970-5		1	*		
016-1	195022-4	CARBON BRUSH SET CB-441	O	1		uhl	
017	643882-3	BRUSH HOLDER		1		dr	
018	911258-5	šroub M5x35 = old 290028		3			
019	266026-4	šroub 4x12 křížový 5103R		1			
020	452790-5	DUCT		1			
021	452789-0	BLADE COVER		1			
022	266292-3	TAPPING SCREW 4X65		2			
023	638571-3	stator		1			
024	452785-8	BAFFLE PLATE		1			
025	266026-4	šroub 4x12 křížový 5103R		1			
026	331947-0	PIPE 6		1			
027	266020-6	šroub 4x12		1			
028	272270-3	LEVER 39		1		p	
029	210023-2	kuličkové ložisko 627 DDW		1			
030	519288-6	ARMATURE ASSEMBLY 18V		1		rotor BHS630	
030		INC. 29,31,32					
031	241869-5	FAN 55		1			
032	210051-7	BALL BEARING 609LLB		1			
033	344681-3	shaft lock		1		shaft lock	
034	233117-6	pružina 6 GA7010C/9010C/S		1		pru	
035	266458-5	šroub		1			
036	224421-4	OUTER FLANGE 28		1		p	
037	224417-5	INNER FLANGE 28		1			
038	257938-2	RETAINING RING(EXT) WR-26		1		krou	
039	267127-1	podložka 26 9046/HR2010		1		podlo	

040	452791-3	SAFETY COVER		1		kryt kotou	
041	231874-0	TENSION SPRING 4		1		pru	
042	345470-9	THICKNESS RING		1		krou	
043	326410-6	SPINDLE		1		v	
044	911128-8	P.H.SCREW M4X16 WITH WR		4			
045	140983-3	BEARING BOX COMPLETE		1			
C10	263002-9	vymezovací čep 4		1			
046	442141-0	GASKET		1		t	
047	210069-8	BALL BEARING 6900DDW		1		kuli	
048	285847-5	BEARING RETAINER 14-23		1		kryt lo	
049	257284-3	RING 10		1			
050	227791-0	HELICAL GEAR 24		1		ozuben	
051	961006-2	segrovka S-10		1		segrovka S-10= old. 2 57408-1	
052	262155-1	RUBBER RING 10		1		krou	
053	267369-7	FLAT WASHER 11		1		podlo	
054	211012-0	kuličkové ložisko 606ZZ		1			
055	227717-2	HELICAL GEAR 17		1		ozuben	
056	226676-7	HELICAL GEAR 39		1		ozuben	
057	253823-7	podložka 7		1		podlo	
058	264064-0	HEX.NUT M6		1			
059	266229-0	šroub M5x8 KP312/LS		1			
060	141002-8	BLADE CASE COMPLETE		1		kryt kotou	
C10	213953-6	o-kroužek 24		1		o-krou	
061	262511-5	gumový kroužek 6		1		gumov	
062	265115-2	+ PAN HEAD SCREW M5		1			
063	452786-6	CONNECTOR BOX		1			
064	452788-2	COVER		1			
065	266042-6	šroub		1			
066	631694-6	světlo		1		sv	
067	961014-3	zajišťovací kroužek		1			
068	272260-6	LEVER 55		1			
069	265595-2	HEX.BOLT M6X85		1			
070	253804-1	podložka 6		1		podlo	
071	346477-8	COLLOR		1			
072	318245-9	DEPTH GUIDE		1			
073	346477-8	COLLOR		1			
074	922137-2	HEX. SOCKET HEAD BOLT M4X20		1		927420 imbus M4 x20	
075	345876-1	REAR ANGULAR GUIDE		1			
076	252126-6	HEX. LOCK NUT M4-7		1		matka	
077	256480-0	čep		1			
078	961012-7	zajišťovací kroužek		2			
079	453165-1	LOCK LEVER		2		p	
080	265571-6	HEX. BOLT M6X10		2			
081	233596-8	TORSION SPRING 11		2		pru	
082	256480-0	čep		1			
083	265072-4	+ PAN HEAD SCREW M5		1	*		
083-1	265118-6	+ PAN HEAD SCREW M5	O	1			
084	345590-9	ANGULAR GUIDE		1		veden	
087	252103-8	zajišťovací šroub M5-8		1			
096	265708-5	Schraube M6x20		1			

097	942151-2	pérová podložka 6		1		
098	941151-9	podložka 6 = old 253047-5		1		podlo
099	266039-5	šroub 6x6		1		
100	310511-0	BASE		1	*	z
100-1	310931-8	BASE	<	1		z
101	266039-5	šroub 6x6		1		
103	266208-8	H.S.SET SCREW(CUP POINT)M6X8		1		
104	911109-2	šroub M4x8 4304		1		
105	450333-7	TOP GUIDE		1		veden
106	265708-5	Schraube M6x20		1		
107	942151-2	pérová podložka 6		1		
108	941151-9	podložka 6 = old 253047-5		1		podlo
109	254031-3	klínek 3		1		kl
A01	164095-8	vodítko		1		doraz 5704R 5008M G SS610 HS630 HS3 00 HS003G
A02	783203-8	klíč imbus 5		1		
A03	D-26630	T.C.T.SAW BLADE 165X20X16T		1	*	
A03-1	D-51079	T.C.T.SAW BLADE 165X20X16T	O	1		
A04	194314-8	DUST NOZZLE SET		1		
C10	265774-2	THUMB SCREW M4X19		1		
C20	257502-9	SLEEVE 5		1		
C30	213957-8	O RING 2		1		
A05	***DC18RC	DC18RC FAST CHARGER		1		
A06	194204-5	baterie BL1830 18V/3,0Ah Li-ion		2	*	
A06-1	194204-5	baterie BL1830 18V/3,0Ah Li-ion	O	2	*	
A06-1	196399-0	BATTERY BL1840 SET		2	*	
A06-2	197600-6	BATTERY BL1830B SET	<	2	*	
A06-2	197265-4	BATTERY BL1840B SET	<	2	*	
A06-2	197280-8	BATTERY BL1850B SET		2	*	
A06-3	197600-6	BATTERY BL1830B SET	O	2		
A06-3	197265-4	BATTERY BL1840B SET	O	2		
A06-3	197280-8	BATTERY BL1850B SET	O	2		
A07	824995-1	PLASTIC CARRYING CASE		1		
C10	162315-4	LATCH		2		
C20	452137-3	HANDLE		1		
C30	453229-1	THUMB SCREW M12X8		1		
A07	821552-6	systainer Makpac 395x295x315 mm=old824783-6		1		
C10	453974-8	LATCH		4		spona Makpacu
A08	803E87-9	DHS630RFE PLASTIC CASE LABEL		2		
A08	837635-2	INNER TRAY		1		
A09	450128-8	kryt baterie		1		
A10	803E84-5	DHS630RFJ INDICATION LABEL		1		
A10	803E83-7	DHS630ZJ INDICATION LABEL		1		
A10	804E74-1	DHS630RMJ INDICATION LABEL		1		
A10	806L53-7	DHS630RTJ INDICATION LABEL		1		
A11	803E86-1	DHS630RFJ PLASTIC CASE LABEL		2		
A11	803E85-3	DHS630ZJ PLASTIC CASE LABEL		2		
A11	804E75-9	DHS630RMJ PLASTIC CASE LABEL		2		
A11	806L54-5	DHS630RTJ PLASTIC CASE LABEL		2		
E01	688163-8	filtr		1		filtr AH3756 DCU180 DHS630 DHS710 DLM

						460 DSS610 DTW190 DUH551 DUH651	
E02	688172-7	LINE FILTER		1	*	filtr	
E02-1	688172-7	LINE FILTER	O	1		filtr	
F01	199140-0	GUIDE RAIL 1000 SET		1			
F02	199141-8	GUIDE RAIL 1500 SET		1			
F03	194368-5	vodící lišta 1400mm=old192516-0		1			
F04	194925-9	GUIDE RAIL 1900 SET		1			
F05	194367-7	vodící lišta SP6000 3000mm		1			
F06	194416-0	SHEET 10000 SET		1			
F07	194417-8	RUBBER SHEET 10000 SET		1			
F08	194418-6	POSITION SHEET 1400 SET		1			
F09	194910-2	POSITION SHEET 1900 SET		1			
F10-2	197252-3	GUIDE RAIL ADAPTER SET	O	1			
F11-3	197267-0	BATTERY BL1840B SET	O	1			
F12-3	197265-4	BATTERY BL1840B SET	O	1			
F13-3	197273-5	BATTERY BL1840B SET(2PIECES)	O	1			
F14-3	197267-0	BATTERY BL1840B SET	O	1			
F15-3	197265-4	BATTERY BL1840B SET	O	1			
F16-2	196235-0	BATTERY BL1815N SET	O	1			
F17-1	196449-1	BATTERY BL1815N SET	O	1			
F18-2	196449-1	BATTERY BL1815N SET	O	1			

Prosím uveďte objednáč. číslo dílu v objednávce

Datum tisku 21. 10. 2024