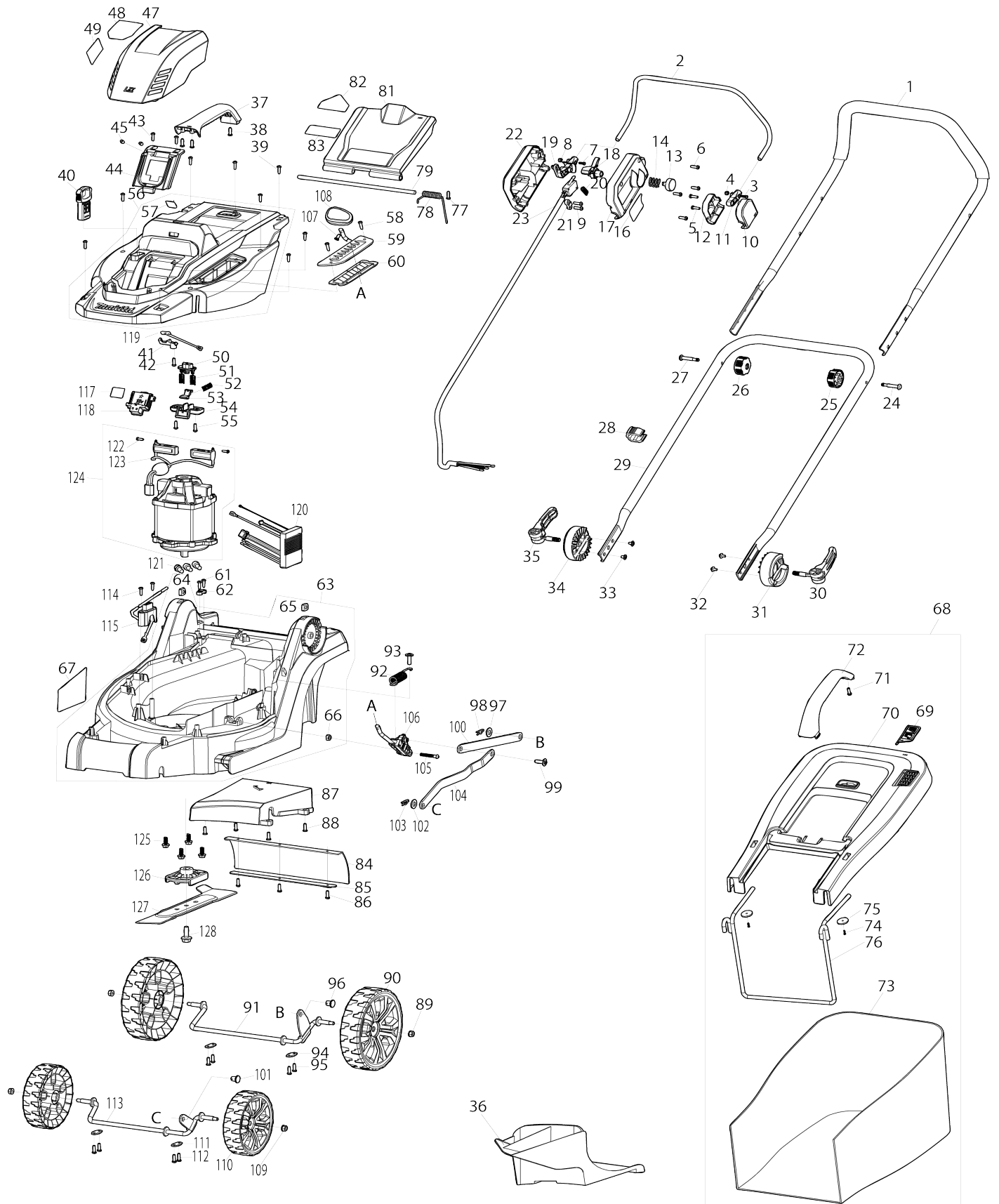


Model No.DLM330 330MM CORDLESS LAWN MOWER



Model No.DLM330 330MM CORDLESS LAWN MOWER

Obj. č.	Obj. č.	Popis	Možnost záměny	Množství	Nový/Stary	Poznámka 1	Poznámka 2
001	GB00000136	UPPER HANDLE		1		horn	
002	GB00000044	SWITCH LEVER		1		p	
003	GB00000045	PAN HEAD SCREW M4X18		1			
004	GB00000046	HEX LOCK NUT M4		1		matice	
005	GB00000003	TAPPING SCREW ST4.2X15		2			
006	GB00000003	TAPPING SCREW ST4.2X15		4			
007	GB00000045	PAN HEAD SCREW M4X18		1			
008	GB00000046	HEX LOCK NUT M4		1		matice	
009	GB00000003	TAPPING SCREW ST4.2X15		2			
010	GB00000047	SWITCH LEVER HINGE BOX L		1		p	
011	GB00000048	SWITCH LEVER END CAP L		1		p	
012	GB00000049	SWITCH LEVER HINGE BOX R		1		p	
013	GB00000050	SWITCH LINK BUTTON		1		tla	
014	GB00000051	COMPRESSION SPRING		1		pru	
016	GB00000153	SWITCH OPERATION LABEL		1			
017	GB00000053	SWITCH BOX COVER L		1		kryt	
018	GB00000054	SWITCH CONTROL LINK		1		veden	
019	GB00000055	SWITCH LEVER END CAP R		1		p	
020	GB00000056	TENSION SPRING		1		pru	
021	GB00000057	CORD CLAMP		1		svorka	
022	GB00000058	SWITCH BOX COVER R		1		kryt	
023	GB00000138	SWITCH&CORD ASSY		1		svorka	
024	GB00000060	SQUARE NECK BOLT M6X42		1			
025	GB00000061	KNOB NUT M6		1		matka	
026	GB00000061	KNOB NUT M6		1		matka	
027	GB00000060	SQUARE NECK BOLT M6X42		1			
028	GB00000062	CORD CLIP		1		spona kabelu	
029	GB00000063	LOWER HANDLE		1		dr	
030	GB00000064	TENSION LEVER ASSY		1		p	
031	GB00000065	HANDLE FIX BLOCK		1		dr	
032	GB00000066	TRAS HEAD TAPPING SCREW 4X8		2			
033	GB00000066	TRAS HEAD TAPPING SCREW 4X8		2			
034	GB00000065	HANDLE FIX BLOCK		1		dr	
035	GB00000064	TENSION LEVER ASSY		1		p	
036	GB00000067	MULCHING PLUG		1		vlo	
037	GB00000068	CARRYNG HANDLE		1		rukoje	
038	GB00000003	TAPPING SCREW ST4.2X15		3			
039	GB00000003	TAPPING SCREW ST4.2X15		8			
040	GB00000069	KEY		1		kl	
041	GB00000070	INDICATOR UNIT MOUNT		1		indik	
042	GB00000003	TAPPING SCREW ST4.2X15		1			
043	GB00000003	TAPPING SCREW ST4.2X15		2	*		
043-1	GB00000158	FLANGED TAPPING SCREW ST4.2 X15	>	2			
044	GB00000071	BATTERY HOLDER		1		dr	
045	GB00000072	RUBBER PIN 5.5X8.5		2		gumov	
047	GB00000074	BATTERY HOOD		1		kryt baterie	
048	GB00000140	330MM LABEL		1			

050	GB00000077	BATTERY HOOD LOCK BUTTON		1		tla	
051	GB00000078	COMPRESSION SPRING		2		pru	
052	GB00000078	COMPRESSION SPRING		1		pru	
053	GB00000079	BATTERY HOOD RATCHI		1		dr	
054	GB00000080	BATTERY HOOD RATCHI FIX PLATE		1		deska	
055	GB00000003	TAPPING SCREW ST4.2X15		2			
056	GB00000081	UPPER HOUSING ASSEMBLY		1		d	
056		INC. 57					
057	GB00000082	BATTERY INDICATOR LABEL		1			
058	GB00000083	TAPPING SCREW ST4.2X15 SILVER		2			
059	GB00000084	HEIGHT ADJUST GUIDE PLATE		1		nastaven	
060	GB00000085	RUBBER SHEET FOR GUIDE PLATE		1		podlo	
061	GB00000003	TAPPING SCREW ST4.2X15		2			
062	GB00000057	CORD CLAMP		1		svorka	
063	GB00000086	DECK ASSEMBLY		1		d	
063		INC. 64-66					
064	GB00000087	SQUARE NUT M8		1			
065	GB00000087	SQUARE NUT M8		1			
066	GB00000088	HEX LOCK NUT M6		1			
067	GB00000141	NAMEPLATE DLM330		1			
068	GB00000151	GRASS CATCHER ASSY		1		ko	
068		INC. 69-76					
069	GB00000090	GRASS LEVEL INDICATOR PLATE		1			
070	GB00000091	GRASS CATCHER UPPER PLATE		1			
071	GB00000003	TAPPING SCREW ST4.2X15		1			
072	GB00000092	GRASS CATCHER GRIP		1			
073	GB00000142	GRASS CATCHER LOWER PLATE ASSY		1		deska ko	
074	GB00000003	TAPPING SCREW ST4.2X15		2			
075	GB00000094	FLAT WASHER 4.5X20X1.4		2			
076	GB00000095	GRASS CATCHER FLAME		1			
077	GB00000003	TAPPING SCREW ST4.2X15		1			
078	GB00000096	REAR FLAP TORSION SPRING		1		pru	
079	GB00000097	REAR FLAP HINGE ROD		1		ty	
081	GB00000099	REAR FLAP		1		zadn	
083	GB00000144	WARNING SOUND LABEL		1			
087	GB00000104	GRASS OUTLET LOWER PLATE		1		spodn	
088	GB00000003	TAPPING SCREW ST4.2X15		4			
089	GB00000105	HEX FLANGED+F130 LOCK NUT M6		2		matka	
090	GB00000106	WHEEL 180MM		2		kolo 180mm	
091	GB00000107	REAR AXLE		1		zadn	
092	GB00000108	HEIGHT ADJUST TENSION SPRING		1		pru	
093	GB00000109	TRUSS HEAD TAPPING SCREW 5X18		1			
094	GB00000110	AXLE FIX PLATE		2		uchycen	
095	GB00000003	TAPPING SCREW ST4.2X15		4			
096	GB00000111	STEPPED PIN 10-12		1			
097	GB00000112	FLAT WASHER 10		1		podlo	
098	GB00000113	R-PIN 10		1	*		

098-1	GB00000159	R-PIN 10	>	1		
099	GB00000109	TRUSS HEAD TAPPING SCREW 5X18		1		
100	GB00000114	HEIGHT ADJUST LINK ROD REAR		1		zadn
101	GB00000111	STEPPED PIN 10-12		1		
102	GB00000112	FLAT WASHER 10		1		podlo
103	GB00000113	R-PIN 10		1	*	
103-1	GB00000159	R-PIN 10	>	1		
104	GB00000115	HEIGHT ADJUST LINK ROD FRONT		1		p
105	GB00000116	PAN HEAD SCREW 6X30		1		
106	GB00000117	HEIGHT ADJUST LEVER ASSY		1		p
107	GB00000118	FLAT HEAD SCREW M4X10		1		
108	GB00000119	GRIP FOR HEIGHT ADJUSTMENT		1		se
109	GB00000105	HEX FLANGED+F130 LOCK NUT M6		2		matka
110	GB00000120	WHEEL 138MM		2		kolo 138mm
111	GB00000110	AXLE FIX PLATE		2		uchycen
112	GB00000003	TAPPING SCREW ST4.2X15		4		
113	GB00000121	FRONT AXLE		1		p
114	GB00000003	TAPPING SCREW ST4.2X15		2		
115	GB00000122	KEY SOCKET		1		z
117	GB00000145	SERIAL NO. LABEL DLM330		1		
118	GB00000124	TERMINAL		1	*	
118-1	644809-6	TERMINAL	O	1		kontakt
119	GB00000125	INDICATOR UNIT		1		indik
120	GB00000126	CONTROLLER		1		ovl
121	GB00000127	CLOSED END SPLICE 5.5-SD		3		uz
122	GB00000128	TAPPING SCREW ST3.0X8		2		
123	GB00000147	CARBON BRUSH ASSY WITH COIL		1		dr
124	GB00000148	MOTOR ASSY WITH CHOKE COIL		1		motor
124		INC. 122,123				
125	GB00000131	HEX FLANGED BOLT M8X18 W/BOND		4		
126	GB00000132	BLADE SUPPORT		1		dr
127	GB00000042	BLADE 330		1		
128	GB00000133	BLADE HEX BOLT M8X28 WITH WRENCH		1		
A01	GB00000134	WRENCH 13		1		

Prosím uveďte objednáčíslo dílu v objednávce

Datum tisku 21. 10. 2024