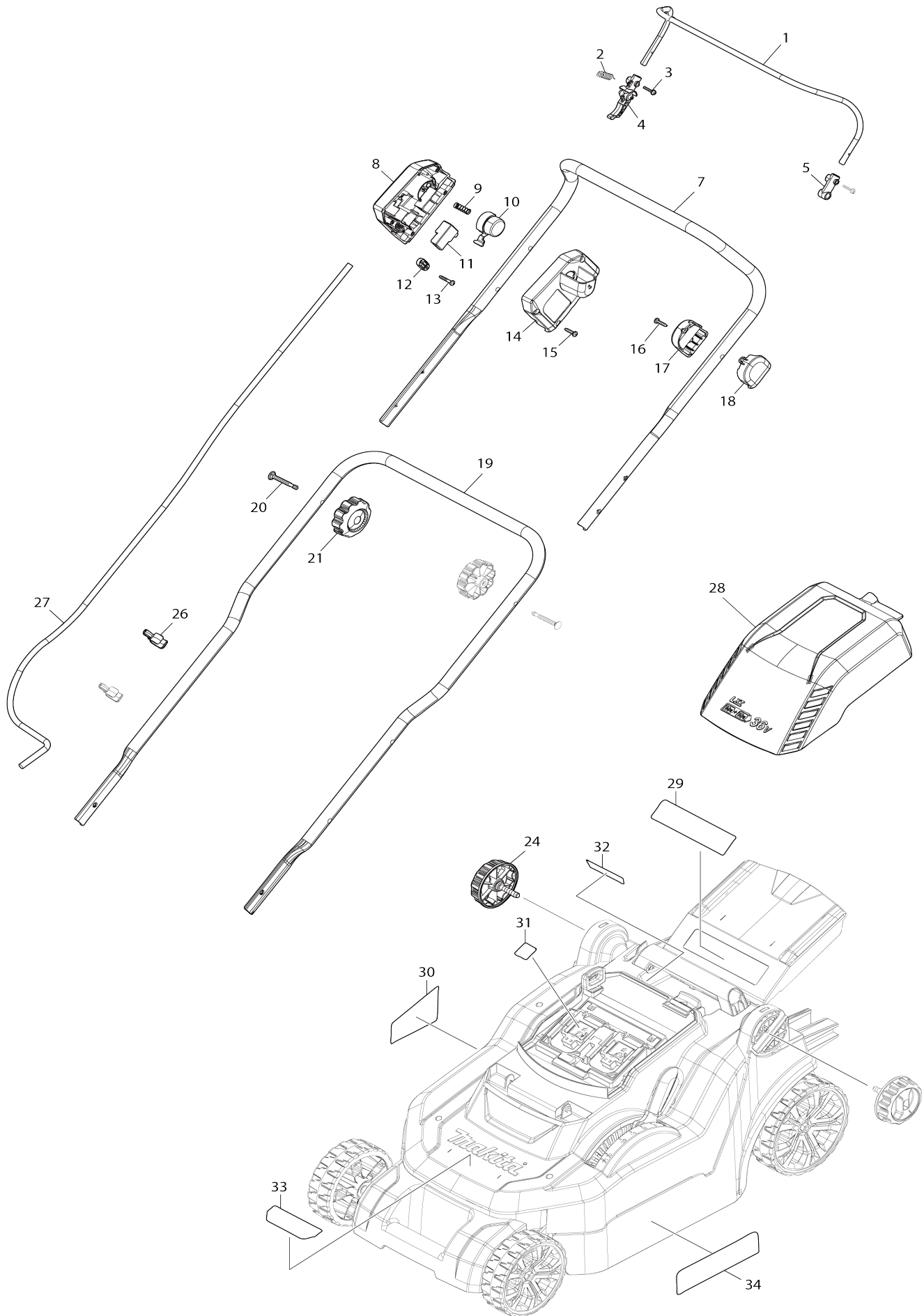
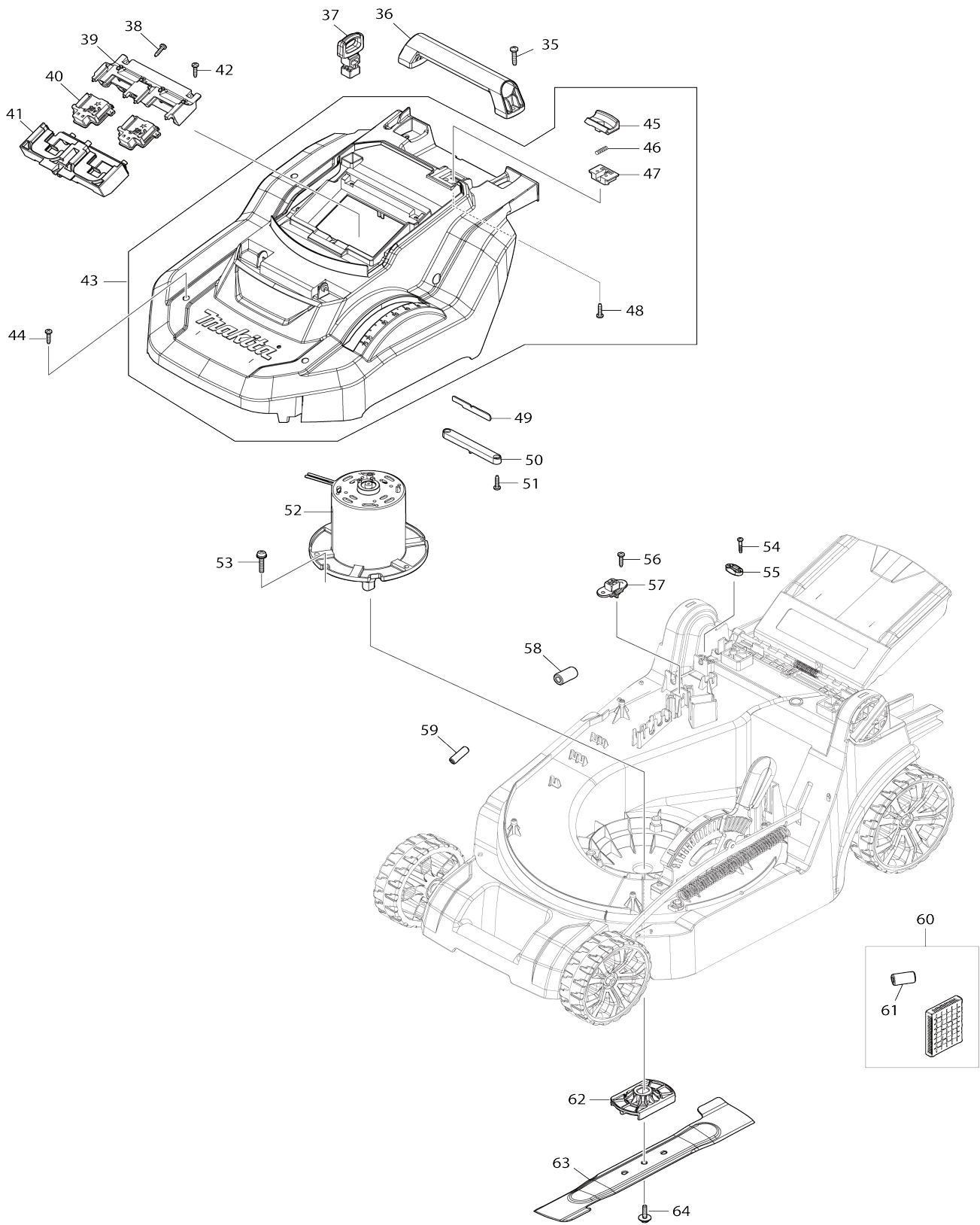


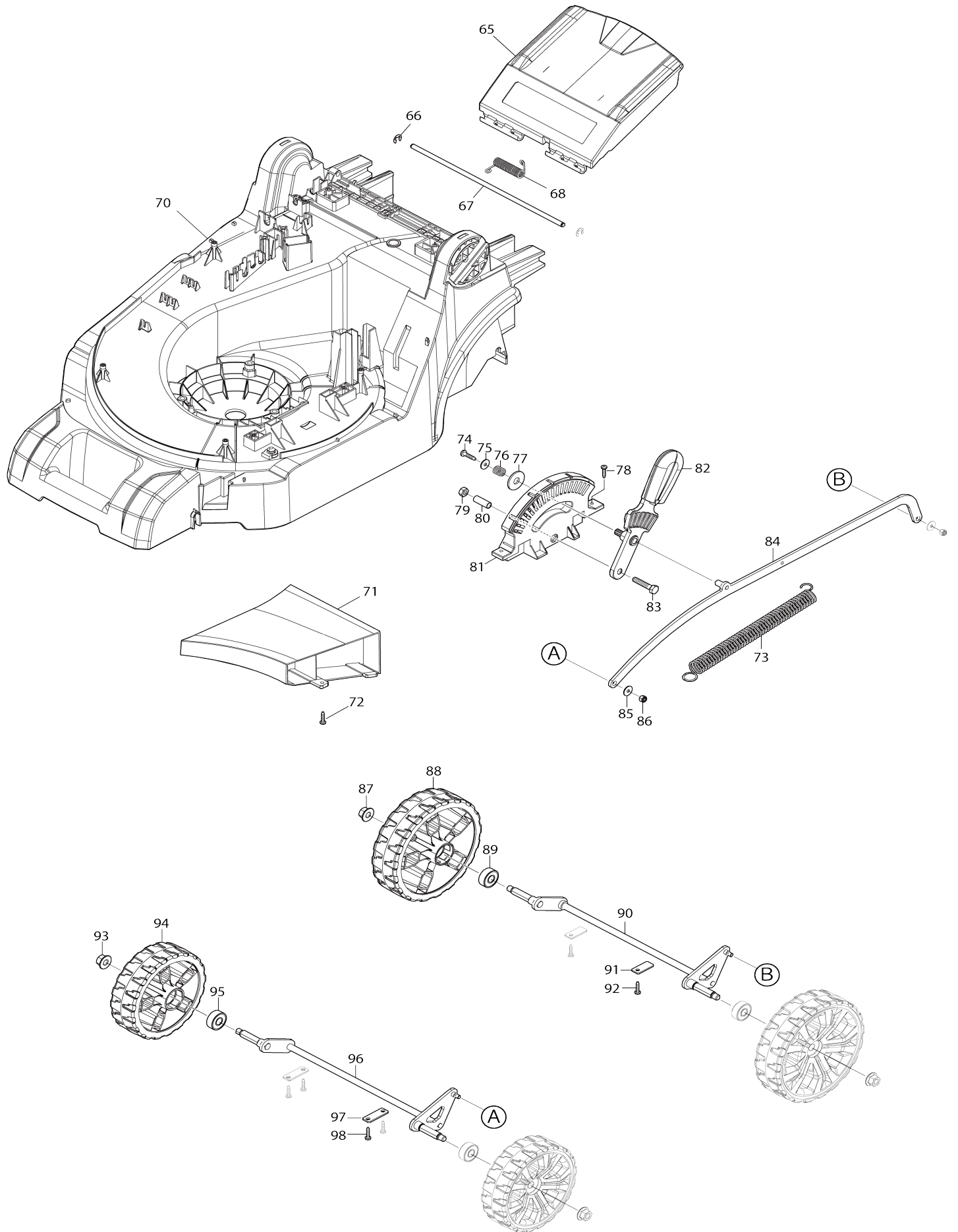
Model No.DLM382 380MM CORDLESS LAWN MOWER



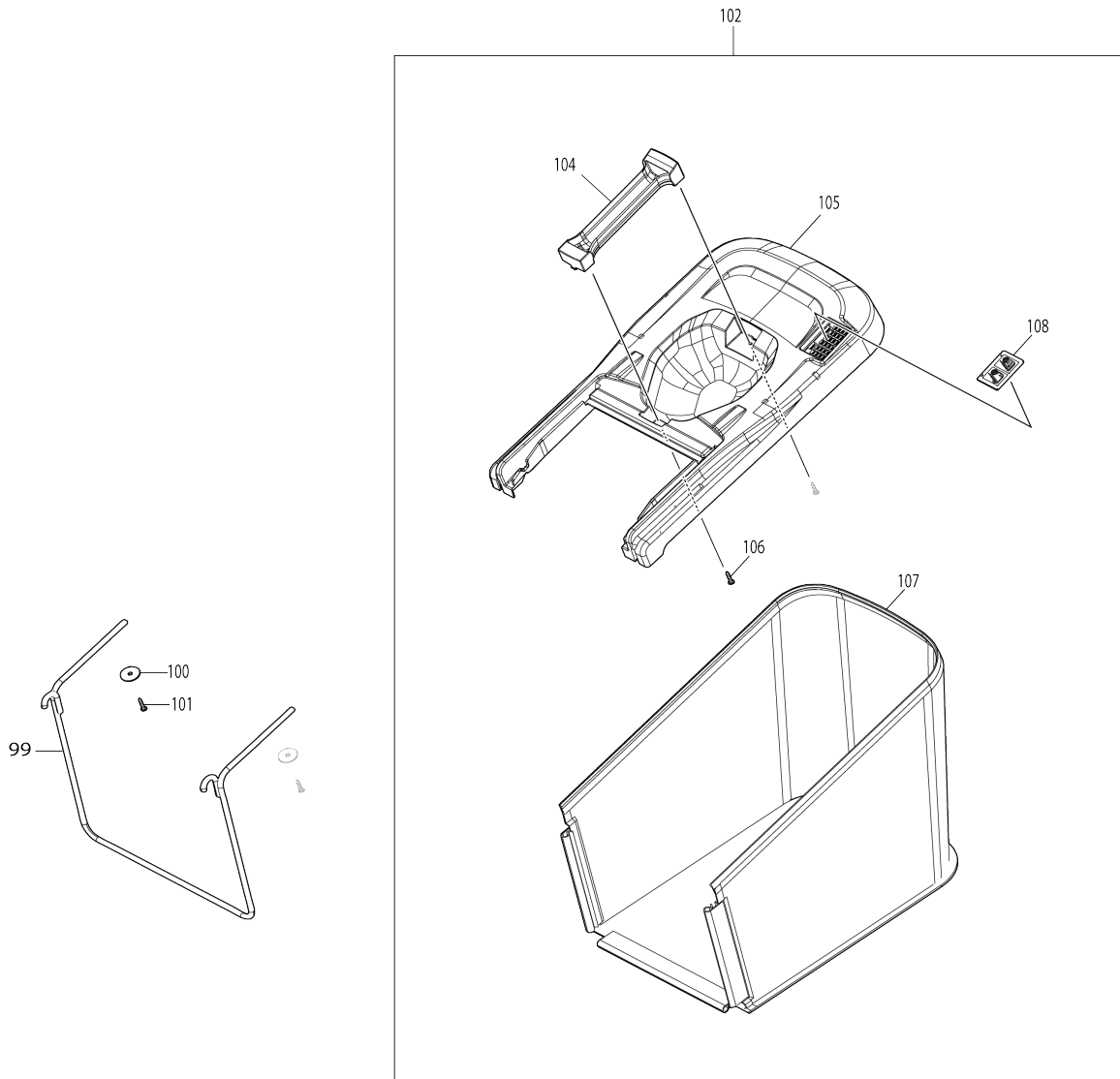
Model No.DLM382 380MM CORDLESS LAWN MOWER



Model No.DLM382 380MM CORDLESS LAWN MOWER



Model No.DLM382 380MM CORDLESS LAWN MOWER



Model No.DLM382 380MM CORDLESS LAWN MOWER

Obj. č.	Obj. č.	Popis	Možn ost zá měny	Množ ství	Nový/ Starý	Poznámka 1	Poznámka 2
001	326636-0	SWITCH LEVER		1		p	
002	231876-6	TENSION SPRING 9		1			
003	911138-5	P.H.SCREW M4X20 WITH WR		2			
004	455075-8	LEVER		1		p	
005	455078-2	ARM		1			
007	143510-5	UPPER PIPE COMPLETE		1		rukoje	
008	459804-1	SWITCH BOX		1		pouzdro vyp	
009	233068-3	COMPRESSION SPRING 6		1		pru	
010	455074-0	SWITCH BUTTON		1		tla	
011	650730-9	SWITCH TG72BD-6		1		vyp	
012	687124-5	držák kabelu		1		dr	
013	265999-8	TAPPING SCREW 4X25		2			
014	140N15-0	SWITCH BOX COVER COMPLETE K		1		kryt vyp	
C10	890374-5	INDICATION LABEL		1			
015	266326-2	šroub 4x18=new265995-6		4	*		
015-1	265B67-9	TAPPING SCREW 4X18	O	4			
016	266326-2	šroub 4x18=new265995-6		1	*		
016-1	265B67-9	TAPPING SCREW 4X18	O	1			
017	456352-1	SWITCH LEVER CASE COVER		1		sk	
018	456351-3	SWITCH LEVER CASE		1		sk	
019	327413-3	LOWER PIPE		1		dr	
020	265A14-4	CUP H. SQUARE NECK BOLT M6X 50		2			
021	264070-5	THUMB NUT M6		2		matka	
024	266729-0	THUMB SCREW M8X35		2			
026	459809-1	HOLDER		2		dr	
027	660393-3	POWER SUPPLY CORD		1	*	kabel	
027-1	660396-7	POWER SUPPLY CORD	O	1	*	kabel =old 660393-3	
027-2	660393-3	POWER SUPPLY CORD	O	1		kabel	
028	140N21-5	BATTERY COVER COMPLETE E		1	*	kryt	
C10	8005W1-7	CAUTION LABEL		1	*		
028-1	1410K1-7	BATTERY COVER COMPLETE E	O	1			
C10	8075Y8-8	CAUTION LABEL		1			
029	890375-3	CAUTION LABEL		1	*		
029-1	8075Y7-0	CAUTION LABEL	O	1			
030	856L30-9	DLM382 NAME PLATE		1			
031	856L35-9	DLM382 SERIAL NO. LABEL		1			
032	8005W9-1	INDICATION LABEL		1			
033	8005W7-5	INDICATION LABEL		1			
034	8005W8-3	INDICATION LABEL		1	*		
035	266459-3	TAPPING SCREW 5X25		2	*		
035-1	265D56-6	TAPPING SCREW 5X25	O	2			
036	273675-0	GRIP A		1		dr	
037	643890-4	KEY		1		kl	
038	266326-2	šroub 4x18=new265995-6		3	*		
038-1	265B67-9	TAPPING SCREW 4X18	O	3			
039	183N35-1	TERMINAL HOUSING SET		1		kryt kontaktu	
C10	263005-3	vymezovací čep 6		4			

039		INC. 41					
040	644809-6	TERMINAL		2		kontakt	
041	183N35-1	TERMINAL HOUSING SET		1		kryt kontaktu	
C10	263005-3	vymezovací čep 6		4			
041		INC. 39					
042	266326-2	šroub 4x18=new265995-6		3	*		
042-1	265B67-9	TAPPING SCREW 4X18	O	3			
043	127393-1	COWLING M ASSEMBLY		1	*	dr	
043		INC. 45-48			*		
043-1	127393-1	COWLING M ASSEMBLY	O	1		dr	
043-1		INC. 45-48					
044	266326-2	šroub 4x18=new265995-6		4	*		
044-1	265B67-9	TAPPING SCREW 4X18	O	4			
045	453250-0	LOCK LEVER		1		p	
046	233173-6	pružina UC3020A-Serie		1	*		
046-1	LC233173-6	COMPRESSION SPRING 4	O	1	*		
046-2	233173-6	pružina UC3020A-Serie	O	1			
047	453251-8	LOCK LEVER SUPPORT		1			
048	266326-2	šroub 4x18=new265995-6		2	*		
048-1	265B67-9	TAPPING SCREW 4X18	O	2			
049	620B91-3	LED CIRCUIT		1		okruh	
050	455070-8	LED COVER		1			
051	266326-2	šroub 4x18=new265995-6		2	*		
051-1	265B67-9	TAPPING SCREW 4X18	O	2			
052	629A17-6	DC MOTOR		1	*	motor	
052-1	629A17-6	DC MOTOR	O	1		motor	
053	266774-5	+ PAN HEAD SCREW M6X30 WITH WR		3	*		
053-1	265D69-7	+PAN HEAD SCREW M6X30 WITH WRM	O	3			
054	265999-8	TAPPING SCREW 4X25		2			
055	687124-5	držák kabelu		1		dr	
056	266326-2	šroub 4x18=new265995-6		2	*		
056-1	265B67-9	TAPPING SCREW 4X18	O	2			
057	638946-6	LEAD UNIT		1		vyp	
058	688162-0	LINE FILTER		1		filtr UB1103	
059	688165-4	LINE FILTER		2		st	
060	632P17-7	CONTROLLER UNIT		1	*	elektronika DLM382	
C10	654208-4	RECEPTACLE		1	*		
C11	654199-9	RECEPTACLE	O	1	*		
060		INC. 61			*		
060-1	632U24-0	CONTROLLER UNIT	<	1	*	elektronika DLM382 =old 632P17-7	
C11	654199-9	RECEPTACLE	O	1	*		
060-1		INC. 61			*		
060-2	632P17-7	CONTROLLER UNIT	O	1	*	elektronika DLM382	
C11	654208-4	RECEPTACLE	O	1	*		
060-2		INC. 61			*		
060-3	632U24-0	CONTROLLER UNIT	<	1		elektronika DLM382 =old 632P17-7	
C11	654208-4	RECEPTACLE	O	1			
060-3		INC. 61					

061	688162-0	LINE FILTER		1		filtr UB1103	
062	459811-4	BLADE SUPPORT		1		dr	
063	191D41-2	BLADE 380 SET		1			
064	256933-9	HEX. HEAD BOLT M8X35 WITH W G		1			
065	140S15-0	REAR FLAP COMPLETE		1	*	zadn	
065		INC. 29			*		
065-1	1410K0-9	REAR FLAP COMPLETE	O	1			
065-1		INC. 29					
066	LC961018-5	STOP RING (EXT) E-5		2	*		
066-1	961018-5	zajišťovací kroužek E-5	O	2		zaji	
067	259068-5	ROD 6		1		ty	
068	LC233597-6	TORSION SPRING 8		1	*		
068-1	233597-6	TORSION SPRING 8	O	1		pru	
070	459777-8	DECK		1		kryt	
C10	346544-9	PLATE NUT M8		2		matka DLM382 DLM432	
C20	931302-2	matka M6		3		matka M6=new252273-3	
071	412272-9	UNDER COVER		1		kryt	
072	266326-2	šroub 4x18=new265995-6		3	*		
072-1	265B67-9	TAPPING SCREW 4X18	O	3			
073	LC231875-8	TENSION SPRING 16		1	*		
073-1	231875-8	TENSION SPRING 16	O	1		pru	
074	266326-2	šroub 4x18=new265995-6		1	*		
074-1	265B67-9	TAPPING SCREW 4X18	O	1			
075	LC267102A7	FLAT WASHER 4		1	*		
075-1	267102-7	FLAT WASHER 4	O	1	*		
075-2	253607-3	FLAT WASHER 4	O	1			
076	LC231297-2	COMPRESSION SPRING 9		1	*		
076-1	231297-2	vinutá pružina 9	O	1		vinut	
077	LC253808A3	FLAT WASHER 9		1	*		
077-1	253808-3	FLAT WASHER 9	O	1			
078	266326-2	šroub 4x18=new265995-6		2	*		
078-1	265B67-9	TAPPING SCREW 4X18	O	2			
079	931302-2	matka M6		1		matka M6=new252273-3	
080	LC257670A8	SLEEVE 6		1	*		
080-1	257670-8	SLEEVE 6	O	1			
081	453255-0	ADJUST PLATE		1			
082	459099-6	CHANGE LEVER		1		p	
083	LC921352-5	HEX.BOLT M6X30		1	*		
083-1	921352-5	HEX. BOLT M6X30	O	1			
084	347571-9	CONNECTING ROD		1		ty	
085	LC941101-4	FLAT WASHER 5		2	*		
085-1	941101-4	podložka 5	O	2		podlo	
086	252103-8	zajišťovací šroub M5-8		2			
087	LC252145-2	COLLARED HEX. NUT M8		2	*		
087-1	252145-2	pastorek	O	2			
088	459101-5	REAR WHEEL		2		zadn	
089	LC210070-3	BALL BEARING 6200ZZ		2	*		
089-1	210070-3	BALL BEARING 6200ZZ	O	2	*	kuli	
089-2	210303-6	BALL BEARING 6200ZZ	O	2			

090	162683-5	REAR SHAFT		1	*		
090-1	162C98-4	REAR SHAFT	<	1		zadn	
091	LC346545-7	PLATE		2	*		
091-1	346545-7	PLATE	O	2		deska	
092	266326-2	šroub 4x18=new265995-6		2	*		
092-1	265B67-9	TAPPING SCREW 4X18	O	2			
093	LC252145-2	COLLARED HEX. NUT M8		2	*		
093-1	252145-2	pastorek	O	2			
094	459100-7	FRONT WHEEL		2		p	
095	LC210070-3	BALL BEARING 6200ZZ		2	*		
095-1	210070-3	BALL BEARING 6200ZZ	O	2	*	kuli	
095-2	210303-6	BALL BEARING 6200ZZ	O	2			
096	162682-7	FRONT SHAFT		1	*		
096-1	162C69-1	FRONT SHAFT	O	1		p	
097	341462-6	držák ložiska= old 098029, old 09609		2		dr	
098	266326-2	šroub 4x18=new265995-6		4	*		
098-1	265B67-9	TAPPING SCREW 4X18	O	4			
099	327411-7	REAR BAG ROD		1		ty	
100	267438-4	FLAT WASHER 5		2	*	podlo	
101	266326-2	šroub 4x18=new265995-6		2	*		
101-1	265D75-2	TAPPING SCREW 4X18 WITH W	S	2			
102	127392-3	REAR BAG ASSEMBLY M		1		ko	
102		INC. 104-108					
104	273676-8	GRIP B		1			
105	459812-2	REAR BAG COVER		1			
106	266326-2	šroub 4x18=new265995-6		2	*		
106-1	265B67-9	TAPPING SCREW 4X18	O	2			
107	162684-3	REAR BAG		1			
108	459806-7	INDICATOR M		1			
A01	782016-4	OFFSET WRENCH 13		1			
A02	***DC18RD	DC18RD TWO PORT FAST CHARGER		1			
A02		COMPO-PARTS					
A02	***DC18SH	DC18SH TWO PORT CHAGER		1			
A03	197280-8	BATTERY BL1850B SET		2			
A03	197265-4	BATTERY BL1840B SET		2			
E01	819M64-9	SOUND 91DB LABEL		1	*		
E01-1	817C33-4	SOUND 92DB LABEL	<	1	*		
E01-2	8018P2-7	SOUND 93DB LABEL	<	1			

Prosím uveďte objednáčíslo dílu v objednávce

Datum tisku 21. 10. 2024